

Residential Inverter R32 Heat Pump SEIYA Series

Indoor Units

RAS-B05J2KVG-E / UA
RAS-B07J2KVG-E / UA
RAS-B10J2KVG-E / UA
RAS-B13J2KVG-E / UA
RAS-B16J2KVG-E / UA
RAS-18J2KVG-E / UA
RAS-24J2KVG-E / UA

RAS-05J2KVG-TR
RAS-07J2KVG-TR
RAS-10J2KVG-TR
RAS-13J2KVG-TR
RAS-16J2KVG-TR
RAS-18J2KVG-TR
RAS-24J2KVG-TR


Outdoor Units

RAS-05J2AVG-E / UA / TR
RAS-07J2AVG-E / UA / TR
RAS-10J2AVG-E / UA / TR
RAS-13J2AVG-E / UA / TR
RAS-16J2AVG-E / UA / TR
RAS-18J2AVG-E / UA / TR
RAS-24J2AVG-E / UA / TR




Contents

1 Line up.	2
2 Specifications	3
3 Dimension	7
4 Wiring diagram	11
5 Refrigerant cycle diagram	15
6 Air speed distribution	20
7 Sound characteristics (NC Curve)	27
8 Capacity table	34
9 Part load performance	41
10 Performance characteristic	48

1. Line up

Outdoor Unit	Indoor Unit	Model Name		Capacity Rank
		CDU	FCU	
		RAS-05J2AVG-E/UA RAS-05J2AVG-TR	RAS-B05J2KVG-E/UA RAS-05J2KVG-TR	5k
		RAS-07J2AVG-E/UA RAS-07J2AVG-TR	RAS-B07J2KVG-E/UA RAS-07J2KVG-TR	7k
		RAS-10J2AVG-E/UA RAS-10J2AVG-TR	RAS-B10J2KVG-E/UA RAS-10J2KVG-TR	10k
		RAS-13J2AVG-E/UA RAS-13J2AVG-TR	RAS-B13J2KVG-E/UA RAS-13J2KVG-TR	13k
		RAS-16J2AVG-E/UA RAS-16J2AVG-TR	RAS-B16J2KVG-E//UA RAS-16J2KVG-TR	16k
		RAS-18J2AVG-E/UA RAS-18J2AVG-TR	RAS-18J2KVG-E/UA RAS-18J2KVG-TR	18k
		RAS-24J2AVG-E/UA RAS-24J2AVG-TR	RAS-24J2KVG-E/UA RAS-24J2KVG-TR	24k

Accessories

Appearance	Model Name	Remark
	WH-UC01NE	Standard remote controller
	RB-RXS30-E	Accessory remote controller for weekly timer program
	RB-N101S-G for BF1 RB-N102S-G for BF2	Accessory wireless adapter Application : Toshiba Home AC Control

2. Specifications

Unit model	Indoor	RAS-	B05J2KVG-E/UA, 05J2KVG-TR	B07J2KVG-E/UA, 07J2KVG-TR		
	Outdoor	RAS-	05J2AVG-E/UA/TR	07J2AVG-E/UA/TR		
Cooling capacity		(kW)	1.50	2.00		
Cooling capacity range		(kW)	0.75-2.00	0.76-2.60		
Heating capacity		(kW)	2.00	2.50		
Heating capacity range		(kW)	0.90-3.00	0.92-3.30		
Power supply	1Ph/50Hz/220-240V					
Electric characteristic	Indoor	Operation mode	Cooling	Heating	Cooling	Heating
		Running current (A)	0.19-0.17	0.19-0.17	0.22-0.20	0.22-0.20
		Power consumption (W)	25	25	30	30
		Power factor (%)	60	60	62	62
	Outdoor	Operation mode	Cooling	Heating	Cooling	Heating
		Running current (A)	1.81-1.67	2.26-2.08	2.48-2.30	3.08-2.82
		Power consumption (W)	345	445	500	610
		Power factor (%)	87	90	89	91
		Starting current (A)	1.92	2.35	2.65	3.14
EER/COP			4.05/4.26	3.77/3.91		
SEER/SCOP			6.30/4.26	6.30/4.00		
Energy Label	Cooling / Heating		A++ / A+	A++ / A+		
Operating noise	Indoor	High (Cooling / Heating) (dB-A)	37/37		38/38	
		Medium (Cooling / Heating) (dB-A)	30/30		31/31	
		Low (Cooling / Heating) (dB-A)	22/22		23/23	
		Quiet (Cooling / Heating) (dB-A)	19/19		20/20	
	Outdoor	(Cooling / Heating) (dB-A)	46/48		46/48	
		Silent 1 (Cooling / Heating) (dB-A)	44/47		45/47	
		Silent 2 (Cooling / Heating) (dB-A)	42/43		43/44	
Indoor unit	Unit model	RAS-B05J2KVG-E		RAS-B07J2KVG-E		
	Dimension	Height (mm)	293			
		Width (mm)	798			
		Depth (mm)	230			
	Net weight (kg)	9		9		
	Fan motor output (W)	25		25		
Air flow rate (Cooling / Heating) (m ³ / min)	8.5/8.7		8.7/8.9			
Outdoor unit	Unit model	RAS-05J2AVG-E		RAS-07J2AVG-E		
	Dimension	Height (mm)	530			
		Width (mm)	660			
		Depth (mm)	240			
	Net weight (kg)	22		22		
	Compressor	Motor output (W)	550			
		Type	Single rotary type with DC-inverter variable speed control			
		Model	KSK75D43UEZA	KSK75D43UEZA		
	Fan motor output (W)	43				
Air flow rate (Cooling / Heating) (m ³ / min)	30/30		30/30			
Piping connection	Type	Flare connection				
	Indoor unit	Liquid side (mm)	∅6.35			
		Gas side (mm)	∅9.52			
	Outdoor unit	Liquid side (mm)	∅6.35			
		Gas side (mm)	∅9.52			
	Maximum length (m)	15				
	Maximum charge-less length (m)	15				
Maximum height difference (m)	12					
Refrigerant	Name of refrigerant	R32				
	Weight (kg)	0.40				
Wiring connection	Power supply	3 Wires: Includes earth (Outdoor)				
	Interconnection	4 Wires: Includes earth				
Usable temperature range	Indoor (Cooling / Heating) (°C)	21~32 / 0 ~ 28		21~32 / 0 ~ 28		
	Outdoor (Cooling / Heating) (°C)	-15 ~ 46 / -15 ~ 24		-15 ~ 46 / -15 ~ 24		
Accessory	Indoor unit	Installation plate	1			
		Wireless remote controller	1			
		Batteries	2			
		Remote controller holder	1			
		Mounting screw	6(∅4x25L)			
		Remote controller holder Flat head wood screw	2(∅3.1x16L)			
		Installation manual	1			
		Owner's manual	1			

For performance when each indoor unit is combined with other unit, refer to the separate table.

* The specifications may be subject to change without notice for purpose of improvement.

Cooling : Capacity test condition, inside : 27 °C (Db) / 19 °C (Wb), outside : 35 °C (Db) / 24 °C (Wb)

Heating : Capacity test condition, inside : 20 °C (Db), outside : 7 °C (Db) / 6 °C (Wb)

Piping length : 5 m per Indoor Unit.

Unit model	Indoor	RAS-	B10J2KVG-E/UA, 10J2KVG-TR	B13J2KVG-E/UA, 13J2KVG-TR		
	Outdoor	RAS-	10J2AVG-E/UA/TR	13J2AVG-E/UA/TR		
Cooling capacity		(kW)	2.50	3.30		
Cooling capacity range		(kW)	0.80-3.00	1.00-3.60		
Heating capacity		(kW)	3.20	3.60		
Heating capacity range		(kW)	1.00-3.90	1.10-4.50		
Power supply	1Ph/50Hz/220-240V					
Electric characteristic	Indoor	Operation mode	Cooling	Heating	Cooling	Heating
		Running current (A)	0.25-0.23	0.25-0.23	0.28-0.26	0.28-0.20
		Power consumption (W)	35	35	40	40
		Power factor (%)	63	63	64	64
	Outdoor	Operation mode	Cooling	Heating	Cooling	Heating
		Running current (A)	3.65-3.32	4.05-3.72	5.12-4.69	4.33-3.97
		Power consumption (W)	735	825	1060	880
		Power factor (%)	92	93	94	92
		Starting current (A)	3.70	4.10	5.15	4.41
EER/COP			3.25/3.72	3.00/3.91		
SEER/SCOP			6.10/4.00	6.10/4.00		
Energy Label	Cooling / Heating		A++ / A+	A++ / A+		
Operating noise	Indoor	High (Cooling / Heating) (dB-A)	39/39	41/42		
		Medium (Cooling / Heating) (dB-A)	32/32	33/34		
		Low (Cooling / Heating) (dB-A)	24/24	24/24		
		Quiet (Cooling / Heating) (dB-A)	21/21	21/21		
	Outdoor	(Cooling / Heating) (dB-A)	48/50	48/50		
		Silent 1 (Cooling / Heating) (dB-A)	47/49	47/49		
		Silent 2 (Cooling / Heating) (dB-A)	45/46	46/46		
Indoor unit	Unit model	RAS-B10J2KVG-E		RAS-B13J2KVG-E		
	Dimension	Height (mm)	293	293		
		Width (mm)	798	798		
		Depth (mm)	230	230		
	Net weight (kg)	9	9			
	Fan motor output (W)	25	25			
	Air flow rate (Cooling / Heating) (m ³ / min)	9.0/9.2	10.0/10.3			
Outdoor unit	Unit model	RAS-10J2AVG-E		RAS-13J2AVG-E		
	Dimension	Height (mm)	530	530		
		Width (mm)	660	660		
		Depth (mm)	240	240		
	Net weight (kg)	23	24			
	Compressor	Motor output (W)	550	620		
		Type	Single rotary type with DC-inverter variable speed control			
	Model	KSK75D43UEZA	KSK89D53UEZ			
	Fan motor output (W)	43				
	Air flow rate (Cooling / Heating) (m ³ / min)	30/30	33/33			
Piping connection	Type	Flare connection				
	Indoor unit	Liquid side (mm)	∅6.35	∅6.35		
		Gas side (mm)	∅9.52	∅9.52		
	Outdoor unit	Liquid side (mm)	∅6.35	∅6.35		
		Gas side (mm)	∅9.52	∅9.52		
	Maximum length (m)	15	15			
	Maximum charge-less length (m)	15	15			
	Maximum height difference (m)	12	12			
Refrigerant	Name of refrigerant	R32				
	Weight (kg)	0.43	0.46			
Wiring connection	Power supply	3 Wires: Includes earth (Outdoor)				
	Interconnection	4 Wires: Includes earth				
Usable temperature range	Indoor (Cooling / Heating) (°C)	21~32 / 0 ~ 28	21~32 / 0 ~ 28			
	Outdoor (Cooling / Heating) (°C)	-15 ~ 46 / -15 ~ 24	-15 ~ 46 / -15 ~ 24			
Accessory	Indoor unit	Installation plate	1			
		Wireless remote controller	1			
		Batteries	2			
		Remote controller holder	1			
		Mounting screw	6(∅4x25L)			
		Remote controller holder	2(∅3.1x16L)			
		Flat head wood screw				
		Installation manual	1			
		Owner's manual	1			

For performance when each indoor unit is combined with other unit, refer to the separate table.

* The specifications may be subject to change without notice for purpose of improvement.

Cooling : Capacity test condition, inside : 27 °C (Db) / 19 °C (Wb), outside : 35 °C (Db) / 24 °C (Wb)

Heating : Capacity test condition, inside : 20 °C (Db), outside : 7 °C (Db) / 6 °C (Wb)

Piping length : 5 m per Indoor Unit.

Unit model	Indoor	RAS-	B16J2KVG-E/UA, 16J2KVG-TR	18J2KVG-E/UA/TR		
	Outdoor	RAS-	16J2AVG-E/UA/TR	18J2AVG-E/UA/TR		
Cooling capacity		(kW)	4.20	5.00		
Cooling capacity range		(kW)	1.20-4.70	1.30-5.50		
Heating capacity		(kW)	5.00	5.40		
Heating capacity range		(kW)	1.30-6.00	1.00-6.00		
Power supply			1Ph/50Hz/220-240V	1Ph/50Hz/220-240V		
Electric characteristic	Indoor	Operation mode	Cooling	Heating	Cooling	Heating
		Running current (A)	0.31-0.29	0.31-0.29	0.34-0.32	0.34-0.32
		Power consumption (W)	45	45	50	50
		Power factor (%)	65	65	66	66
	Outdoor	Operation mode	Cooling	Heating	Cooling	Heating
		Running current (A)	6.34-5.81	6.39-5.86	6.91-6.33	7.16-6.58
		Power consumption (W)	1355	1355	1500	1550
		Power factor (%)	97	96	99	98
Starting current (A)	6.35	6.41	7.25-6.65	7.50-6.90		
EER/COP			3.00/3.57	3.23/3.38		
SEER/SCOP			6.10/4.00	6.30/4.00		
Energy Label		Cooling / Heating	A++ / A+	A++ / A+		
Operating noise	Indoor	High	(Cooling / Heating) (dB-A)	43/43	47/48	
		Medium	(Cooling / Heating) (dB-A)	35/35	40/40	
		Low	(Cooling / Heating) (dB-A)	25/25	32/32	
		Quiet	(Cooling / Heating) (dB-A)	22/22	-	
	Outdoor	(Cooling / Heating) (dB-A)	49/51	50/52		
		Silent 1 (Cooling / Heating) (dB-A)	48/49	49/50		
Silent 2 (Cooling / Heating) (dB-A)	46/46	47/48				
Indoor unit	Unit model		RAS -B16J2KVG-E	RAS-18J2KVG-E		
	Dimension	Height (mm)	293	293		
		Width (mm)	798	798		
		Depth (mm)	230	230		
	Net weight (kg)		10	9		
	Fan motor output (W)		35	30		
Air flow rate (Cooling / Heating) (m ³ / min)		12.5/12.8	13.3/14.0			
Outdoor unit	Unit model		RAS -16J2AVG-E	RAS-18J2AVG-E		
	Dimension	Height (mm)	550	550		
		Width (mm)	780	780		
		Depth (mm)	290	290		
	Net weight (kg)		30	34		
	Compressor	Motor output (W)	750	750		
		Type	Single rotary type with DC-inverter variable speed control			
	Model		KSN108D22UFZ	KSN108D22UFZ		
	Fan motor output (W)		43	43		
Air flow rate (Cooling / Heating) (m ³ / min)		36/36	36/36			
Piping connection	Type		Flare connection	Flare connection		
	Indoor unit	Liquid side (mm)	∅6.35	∅6.35		
		Gas side (mm)	∅12.7	∅12.7		
	Outdoor unit	Liquid side (mm)	∅6.35	∅6.35		
		Gas side (mm)	∅12.7	∅12.7		
	Maximum length (m)		20	20		
	Maximum charge-less length (m)		15	15		
Maximum height difference (m)		12	12			
Refrigerant	Name of refrigerant		R32	R32		
	Weight (kg)		0.62	0.88		
Wiring connection	Power supply		3 Wires: Includes earth (Outdoor)			
	Interconnection		4 Wires: Includes earth			
Usable temperature range	Indoor (Cooling / Heating) (°C)		21~32 / 0 ~ 28	21~32 / 0 ~ 28		
	Outdoor (Cooling / Heating) (°C)		-15 ~ 46 / -15 ~ 24	-15 ~ 46 / -15 ~ 24		
Accessory	Indoor unit	Installation plate	1	1		
		Wireless remote controller	1	1		
		Batteries	2	2		
		Remote controller holder	1	1		
		Mounting screw	6(∅4x25L)	6(∅4x25L)		
		Remote controller holder Flat head wood screw	2(∅3.1x16L)	2(∅3.1x16L)		
		Installation manual	1	1		
		Owner's manual	1	1		

For performance when each indoor unit is combined with other unit, refer to the separate table.

* The specifications may be subject to change without notice for purpose of improvement.

Cooling : Capacity test condition, inside : 27 °C (Db) / 19 °C (Wb), outside : 35 °C (Db) / 24 °C (Wb)

Heating : Capacity test condition, inside : 20 °C (Db), outside : 7 °C (Db) / 6 °C (Wb)

Piping length : 5 m per Indoor Unit.

Unit model	Indoor		RAS-24J2KVG-E/UA/TR			
	Outdoor		RAS-24J2AVG-E/UA/TR			
Cooling capacity			(kW)	6.50		
Cooling capacity range			(kW)	1.60-7.20		
Heating capacity			(kW)	7.00		
Heating capacity range			(kW)	1.60-8.10		
Power supply			1Ph/50Hz/220-240V			
Electric characteristic	Indoor	Operation mode		Cooling	Heating	
		Running current	(A)	0.36-0.34	0.36-0.34	
		Power consumption	(W)	50	50	
		Power factor	(%)	62	62	
	Outdoor	Operation mode		Cooling	Heating	
		Running current	(A)	10.19-9.36	9.44-8.66	
		Power consumption	(W)	2200	2050	
		Power factor	(%)	98	98	
		Starting current	(A)	10.55-9.70	9.80-9.00	
EER/COP			2.89/3.33			
SEER/SCOP			6.10/4.00			
Energy Label	Cooling / Heating		A++ / A+			
Operating noise	Indoor	High	(Cooling / Heating)	(dB-A)	48/43	
		Medium	(Cooling / Heating)	(dB-A)	42/39	
		Low	(Cooling / Heating)	(dB-A)	35/35	
		Quiet	(Cooling / Heating)	(dB-A)	31/31	
	Outdoor	(Cooling / Heating)		(dB-A)	55/55	
		Silent 1	(Cooling / Heating)	(dB-A)	53/53	
Silent 2		(Cooling / Heating)	(dB-A)	51/51		
Indoor unit	Unit model		RAS-24J2KVG-E			
	Dimension	Height	(mm)	320		
		Width	(mm)	1050		
		Depth	(mm)	250		
	Net weight			(kg)	14	
	Fan motor output			(W)	30	
Air flow rate	(Cooling / Heating)		(m ³ / min)	17.9/14.4		
Outdoor unit	Unit model		RAS-24J2AVG-E			
	Dimension	Height	(mm)	550		
		Width	(mm)	780		
		Depth	(mm)	290		
	Net weight			(kg)	38	
	Compressor	Motor output			(W)	1050
		Type	Twin rotary type with DC-inverter variable speed control			
		Model	KTN150D42UFZ			
Fan motor output			(W)	43		
Air flow rate	(Cooling / Heating)		(m ³ / min)	37/37		
Piping connection	Type		Flare connection			
	Indoor unit	Liquid side	(mm)	Ø6.35		
		Gas side	(mm)	Ø12.70		
	Outdoor unit	Liquid side	(mm)	Ø6.35		
		Gas side	(mm)	Ø12.70		
	Maximum length			(m)	20	
	Maximum charge-less length			(m)	15	
	Maximum height difference			(m)	12	
Refrigerant	Name of refrigerant		R32			
	Weight		(kg)		1.08	
Wiring connection	Power supply		3 Wires: Includes earth (Outdoor)			
	Interconnection		4 Wires: Includes earth			
Usable temperature range	Indoor	(Cooling / Heating)	(°C)	21~32 / 0 ~ 28		
	Outdoor	(Cooling / Heating)	(C)	-15 ~ 46 / -15 ~ 24		
Accessory	Indoor unit	Installation plate		1		
		Wireless remote controller		1		
		Batteries		2		
		Remote controller holder		1		
		Mounting screw		6(Ø4x25L)		
		Remote controller holder		2(Ø3.1x16L)		
		Flat head wood screw		2(Ø3.1x16L)		
		Installation manual		1		
Owner's manual		1				

For performance when each indoor unit is combined with other unit, refer to the separate table.

* The specifications may be subject to change without notice for purpose of improvement.

Cooling : Capacity test condition, inside : 27 °C (Db) / 19 °C (Wb), outside : 35 °C (Db) / 24 °C (Wb)

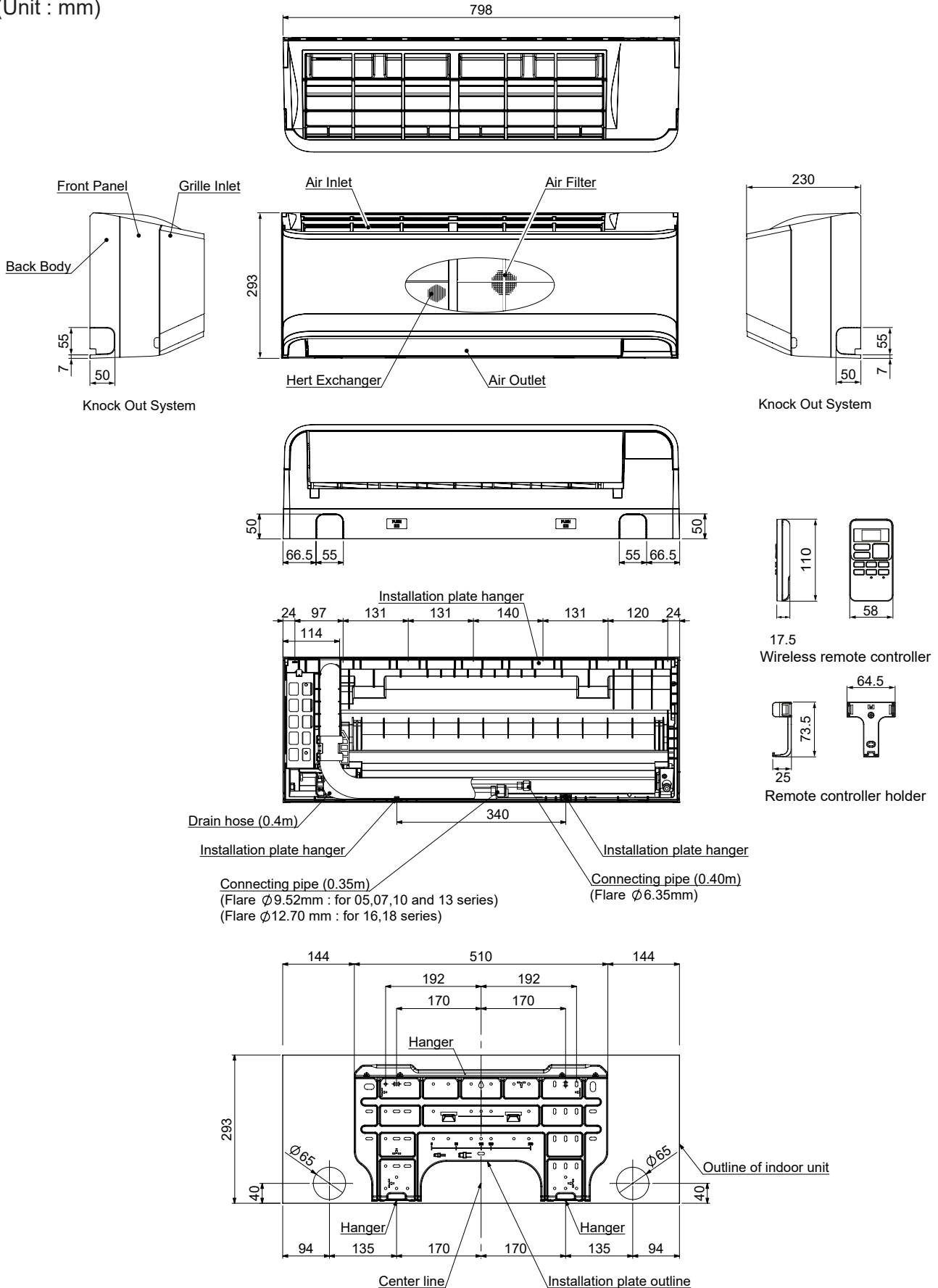
Heating : Capacity test condition, inside : 20 °C (Db), outside : 7 °C (Db) / 6°C (Wb)

Piping length : 5 m per Indoor Unit.

3. Dimension

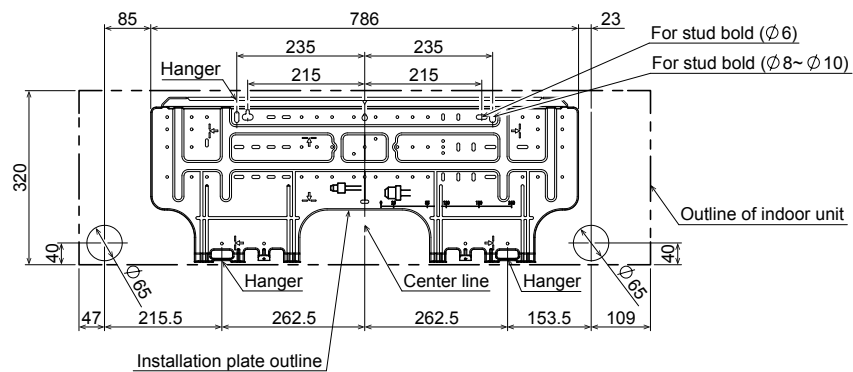
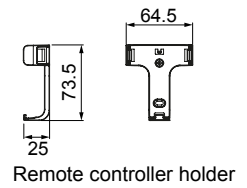
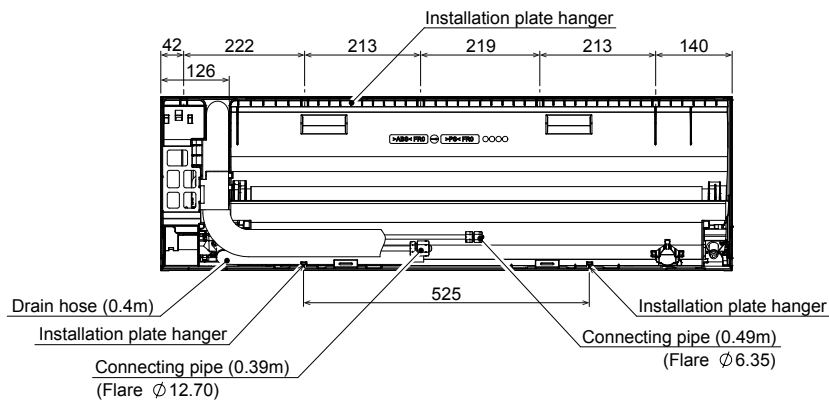
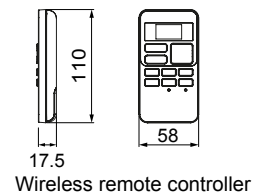
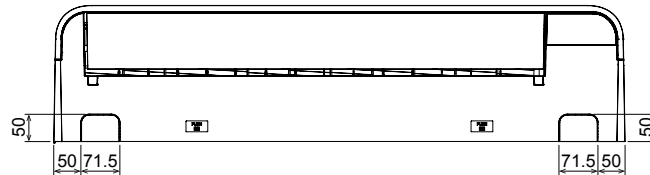
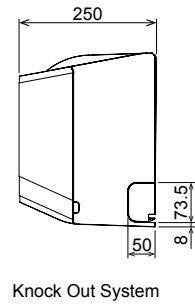
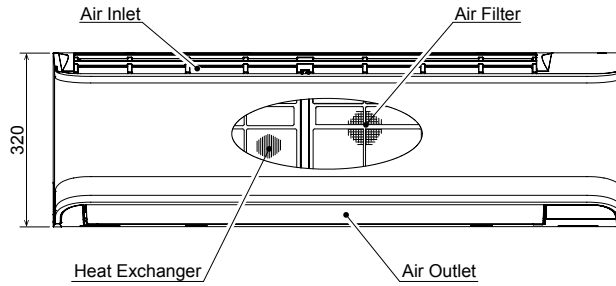
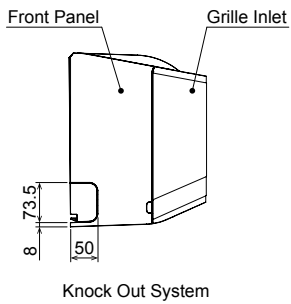
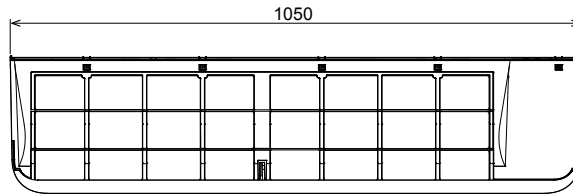
Indoor Unit : RAS-B05J2KVG-E/UA, RAS-B07J2KVG-E/UA, RAS-B10J2KVG-E/UA, RAS-B13J2KVG-E/UA, RAS-B16J2KVG-E/UA, RAS-18J2KVG-E/UA/TR, RAS-05J2KVG-TR, RAS-07J2KVG-TR, RAS-10J2KVG-TR, RAS-13J2KVG-TR, RAS-16J2KVG-TR

(Unit : mm)



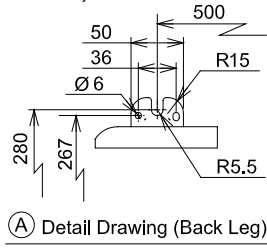
Indoor Unit : RAS-24J2KVG-E/UA/TR

(Unit : mm)

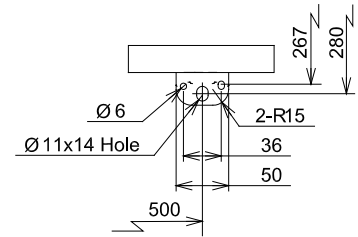
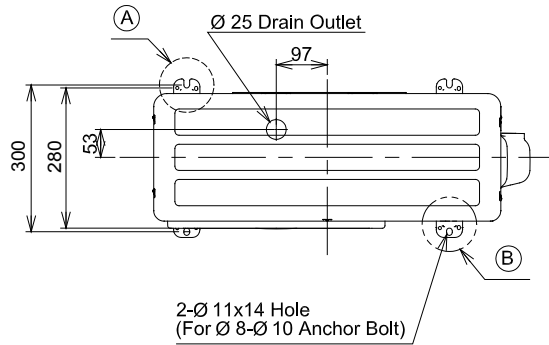


Outdoor Unit : RAS-05J2AVG-E/UA/TR, RAS-07J2AVG-E/UA/TR, RAS-10J2AVG-E/UA/TR, RAS-13J2AVG-E/UA/TR

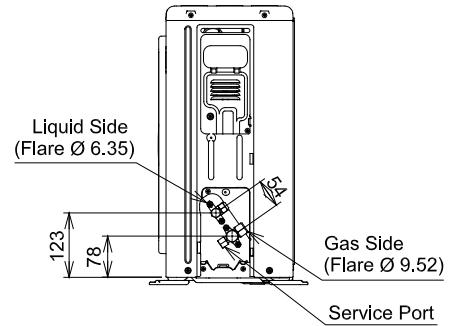
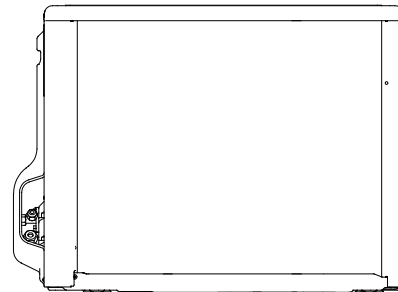
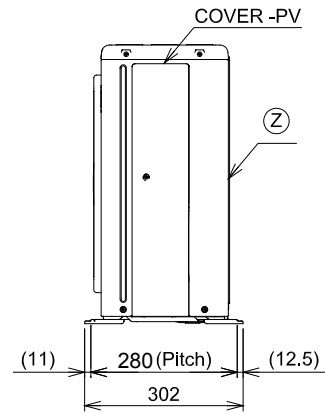
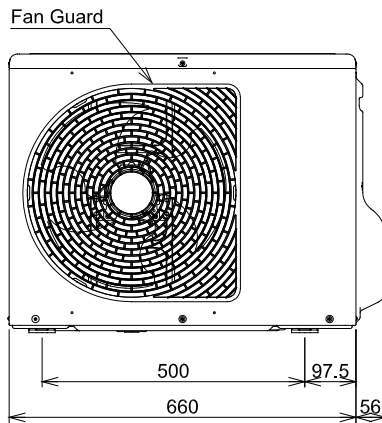
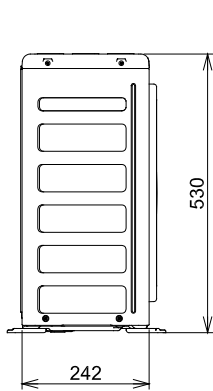
(Unit : mm)



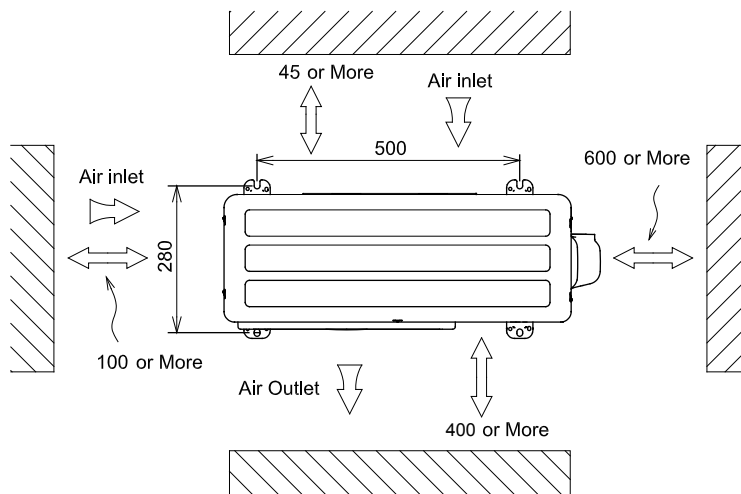
(A) Detail Drawing (Back Leg)



(B) Detail Drawing (Front Leg)



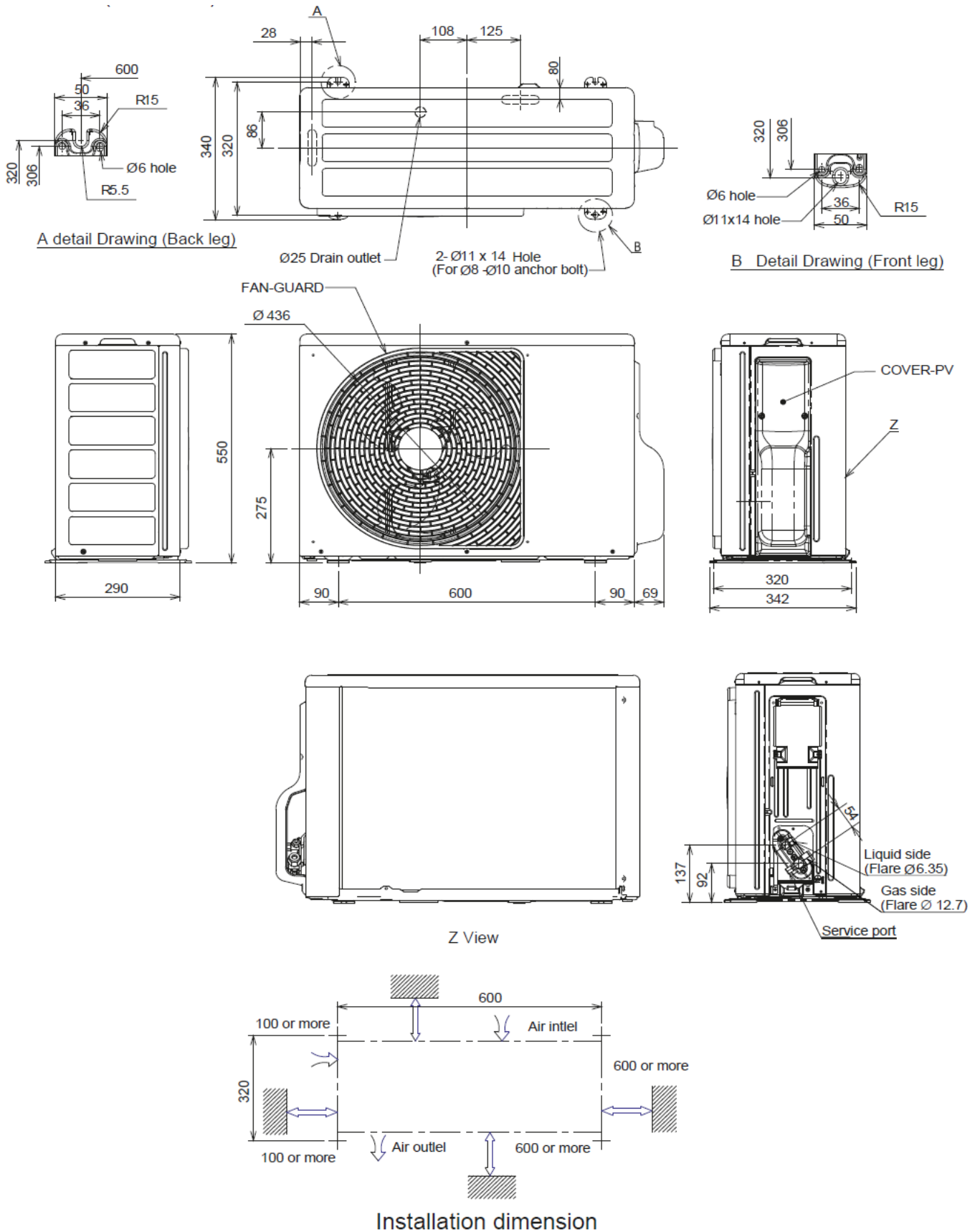
Installation Dimension



(Z) View

Outdoor Unit : RAS-16J2AVG-E/UA/TR, RAS-18J2AVG-E/UA/TR,
RAS-24J2AVG-E/UA/TR

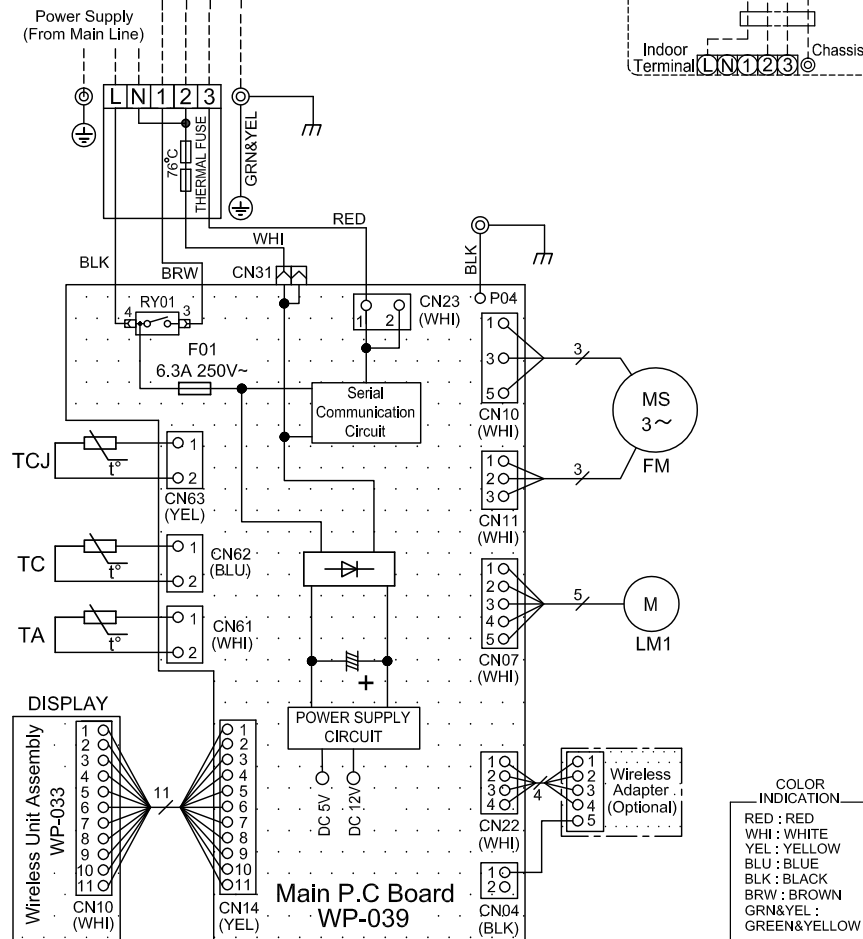
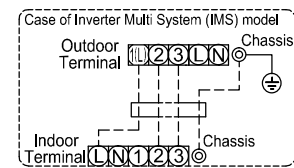
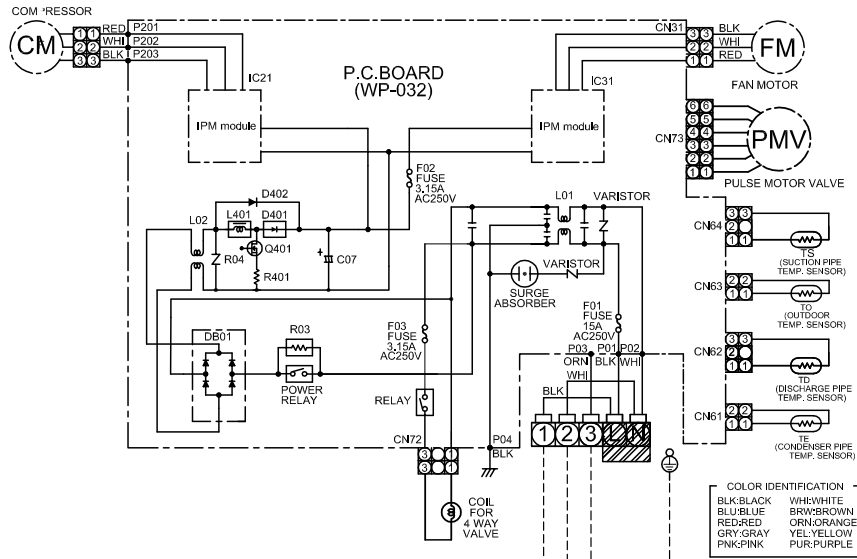
(Unit : mm)



4. Wiring diagrams

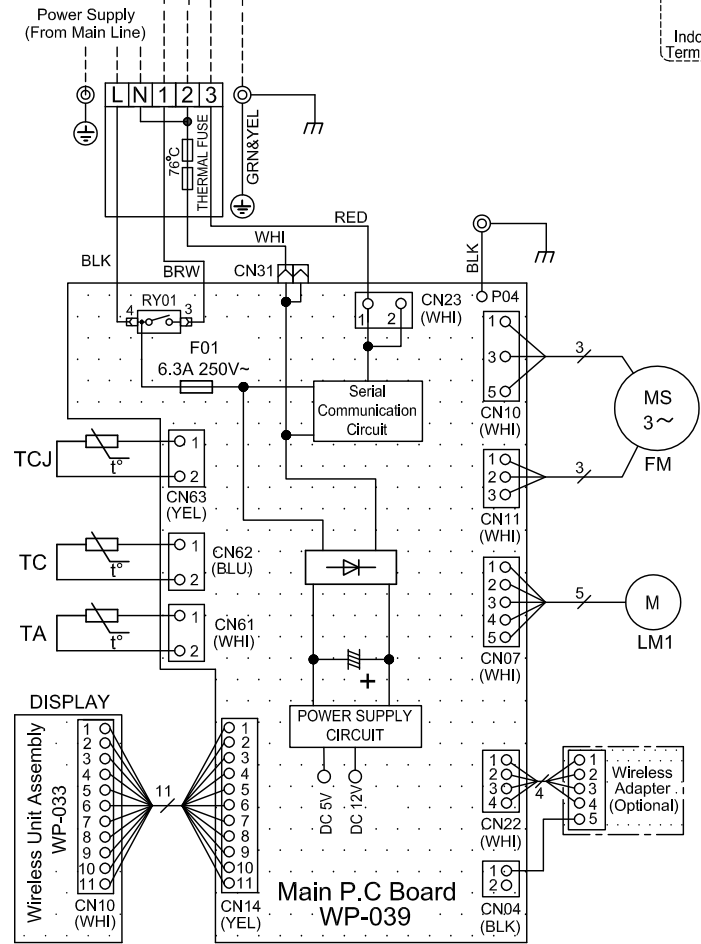
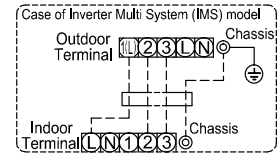
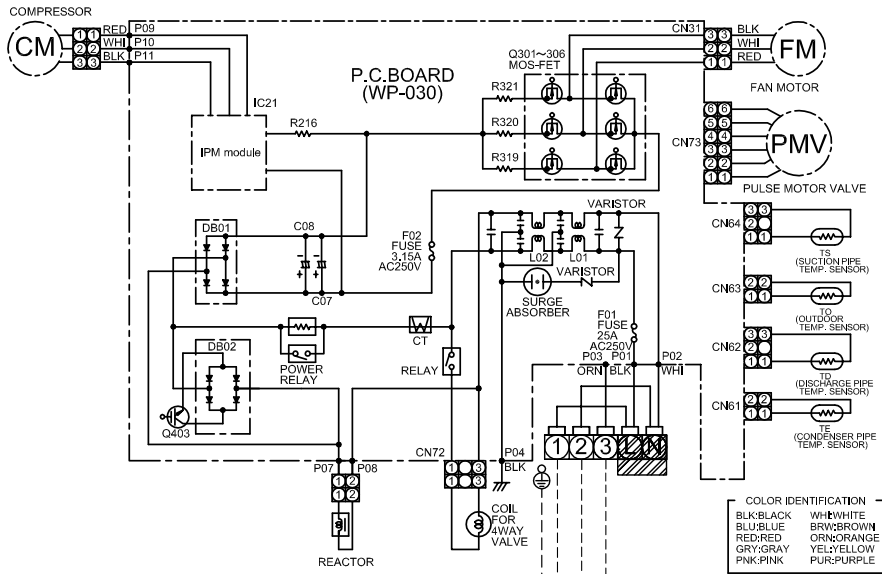
RAS-B05J2KVG-E/UA / RAS-05J2AVG-E/UA
 RAS-B07J2KVG-E/UA / RAS-07J2AVG-E/UA
 RAS-B10J2KVG-E/UA / RAS-10J2AVG-E/UA
 RAS-B13J2KVG-E/UA / RAS-13J2AVG-E/UA

RAS-05J2KVG-TR / RAS-05J2AVG-TR
 RAS-07J2KVG-TR / RAS-07J2AVG-TR
 RAS-10J2KVG-TR / RAS-10J2AVG-TR
 RAS-13J2KVG-TR / RAS-13J2AVG-TR

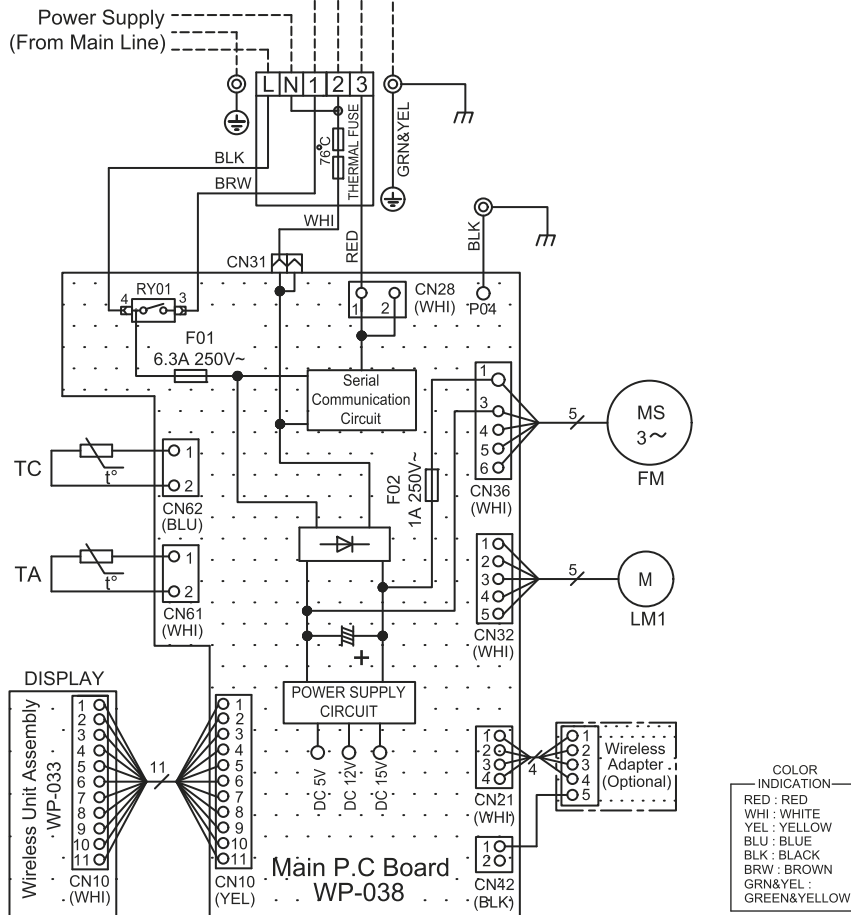
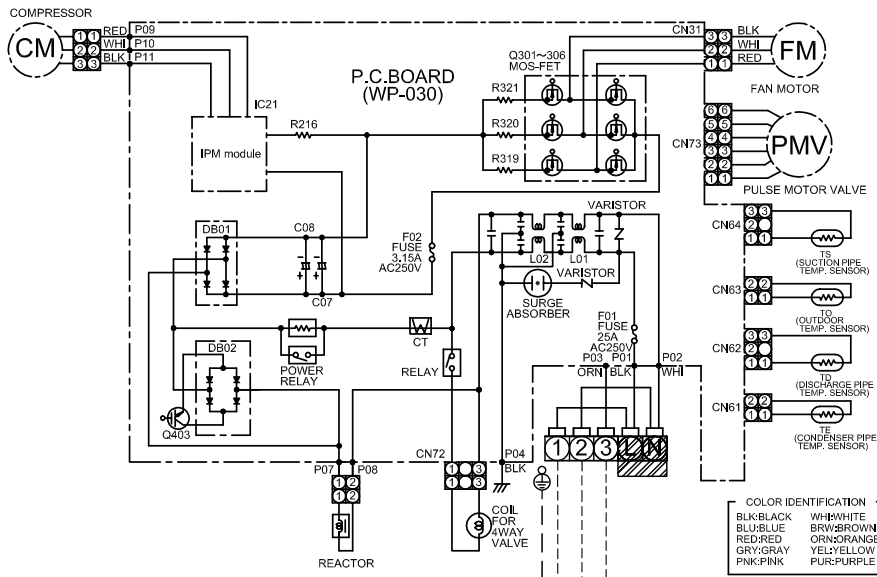


RAS-B16J2KVG-E/UA / RAS-16J2AVG-E/UA

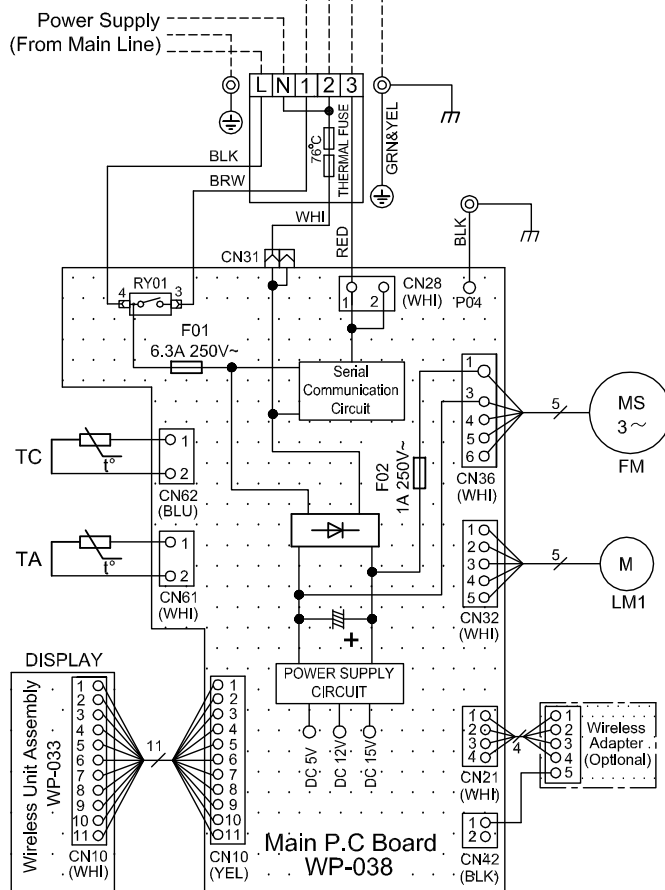
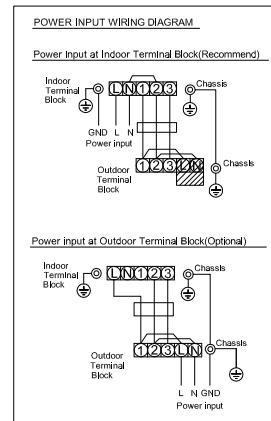
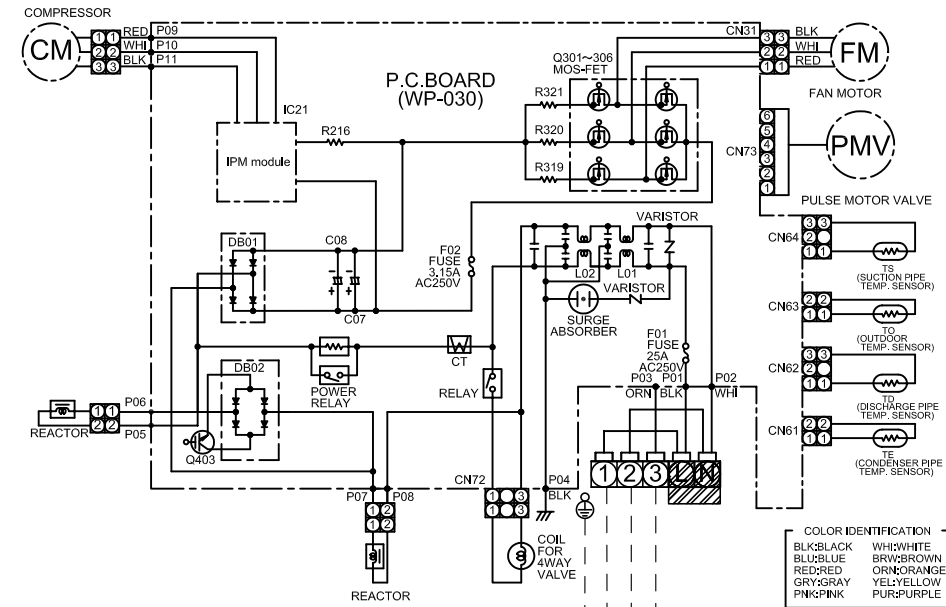
RAS-16J2KVG-TR / RAS-16J2AVG-TR



RAS-18J2KVG-E/UA/TR / RAS-18J2AVG-E/UA/TR



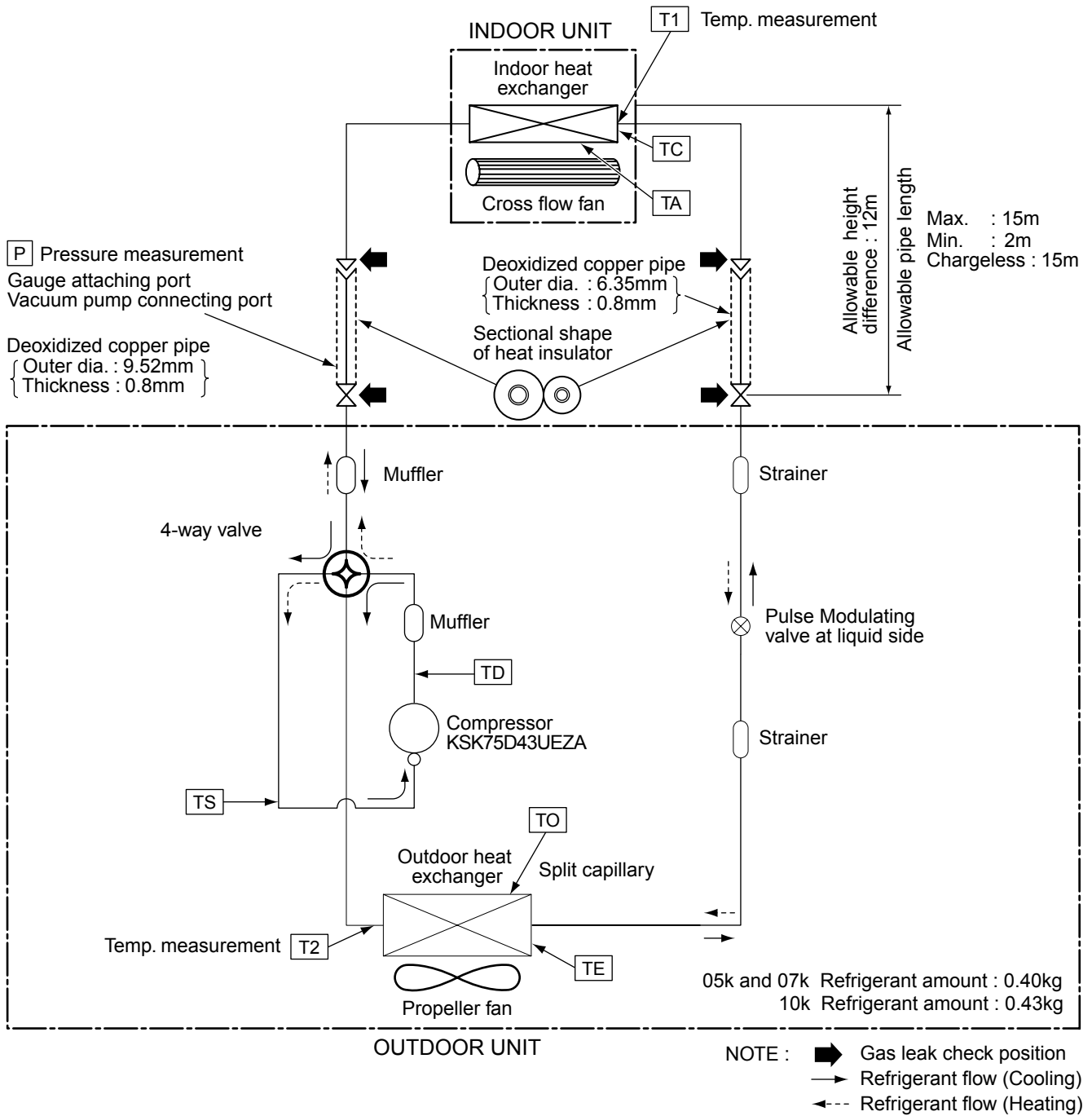
RAS-24J2KVG-E/UA/TR / RAS-24J2AVG-E/UA/TR



5. Refrigerant Cycle Diagram

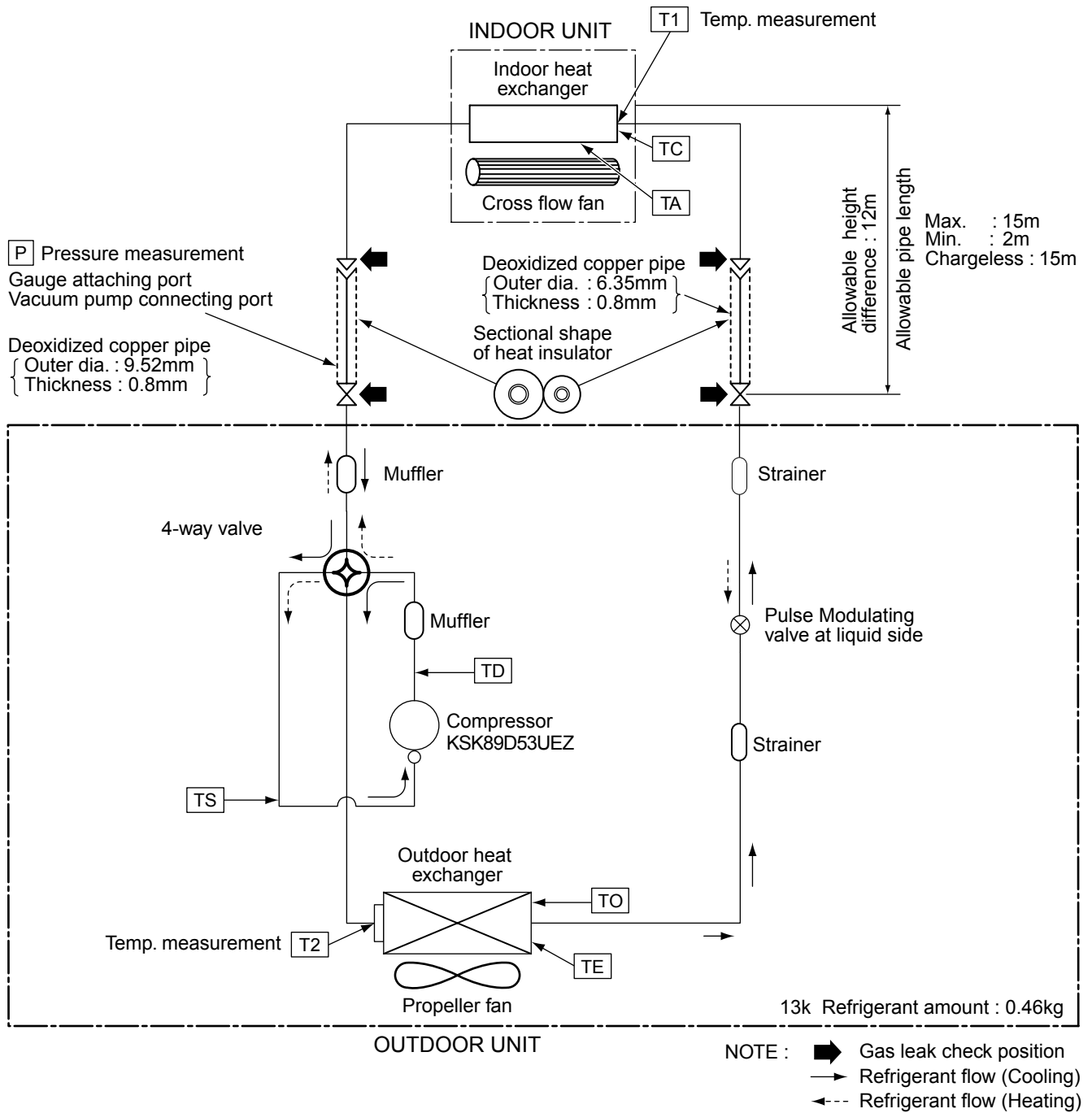
RAS-B05J2KVG-E/UA / RAS-05J2AVG-E/UA
 RAS-B07J2KVG-E/UA / RAS-07J2AVG-E/UA
 RAS-B10J2KVG-E/UA / RAS-10J2AVG-E/UA

RAS-05J2KVG-TR / RAS-05J2AVG-TR
 RAS-07J2KVG-TR / RAS-07J2AVG-TR
 RAS-10J2KVG-TR / RAS-10J2AVG-TR



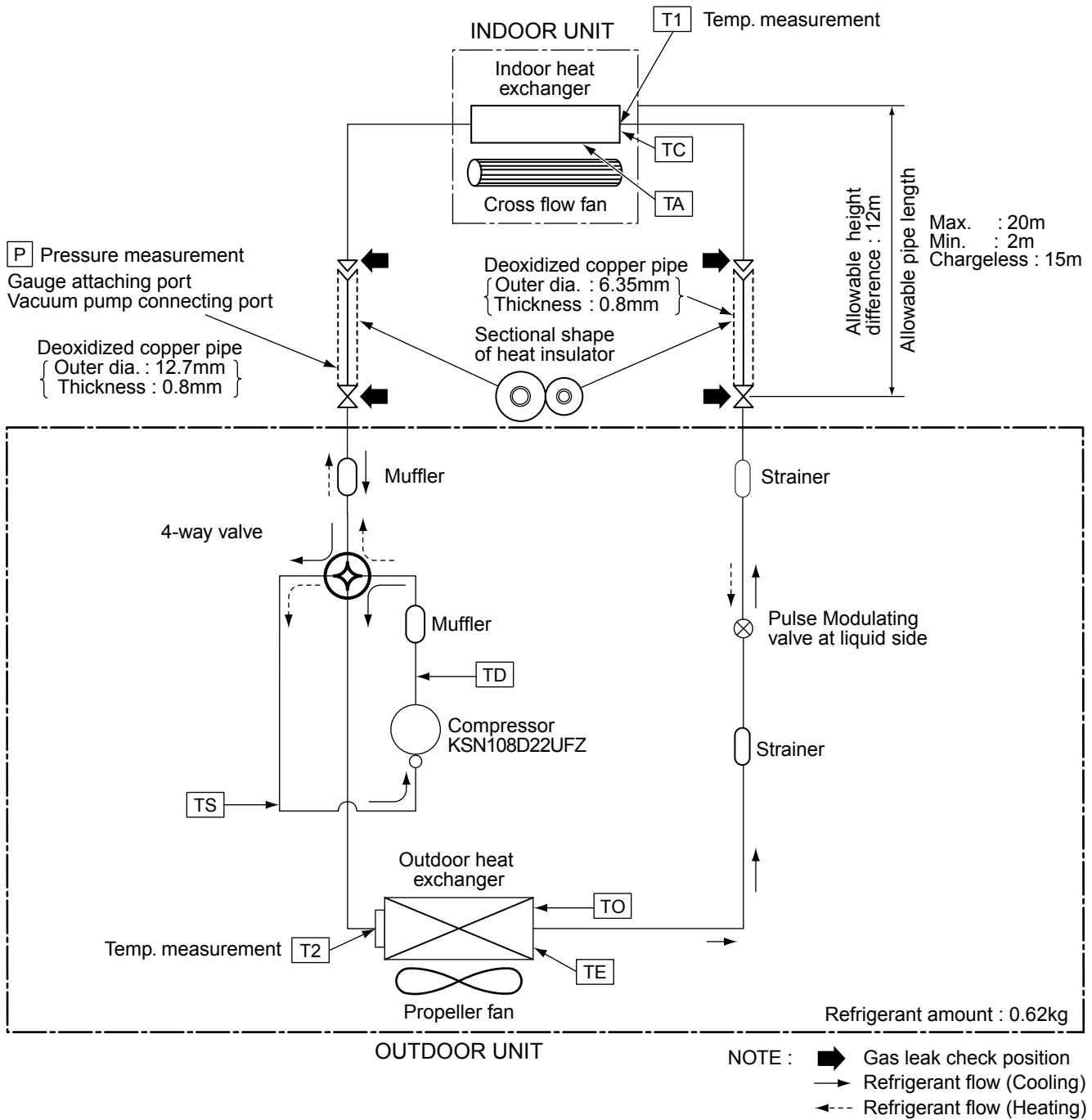
RAS-B13J2KVG-E/UA / RAS-13J2AVG-E/UA

RAS-13J2KVG-TR / RAS-13J2AVG-TR

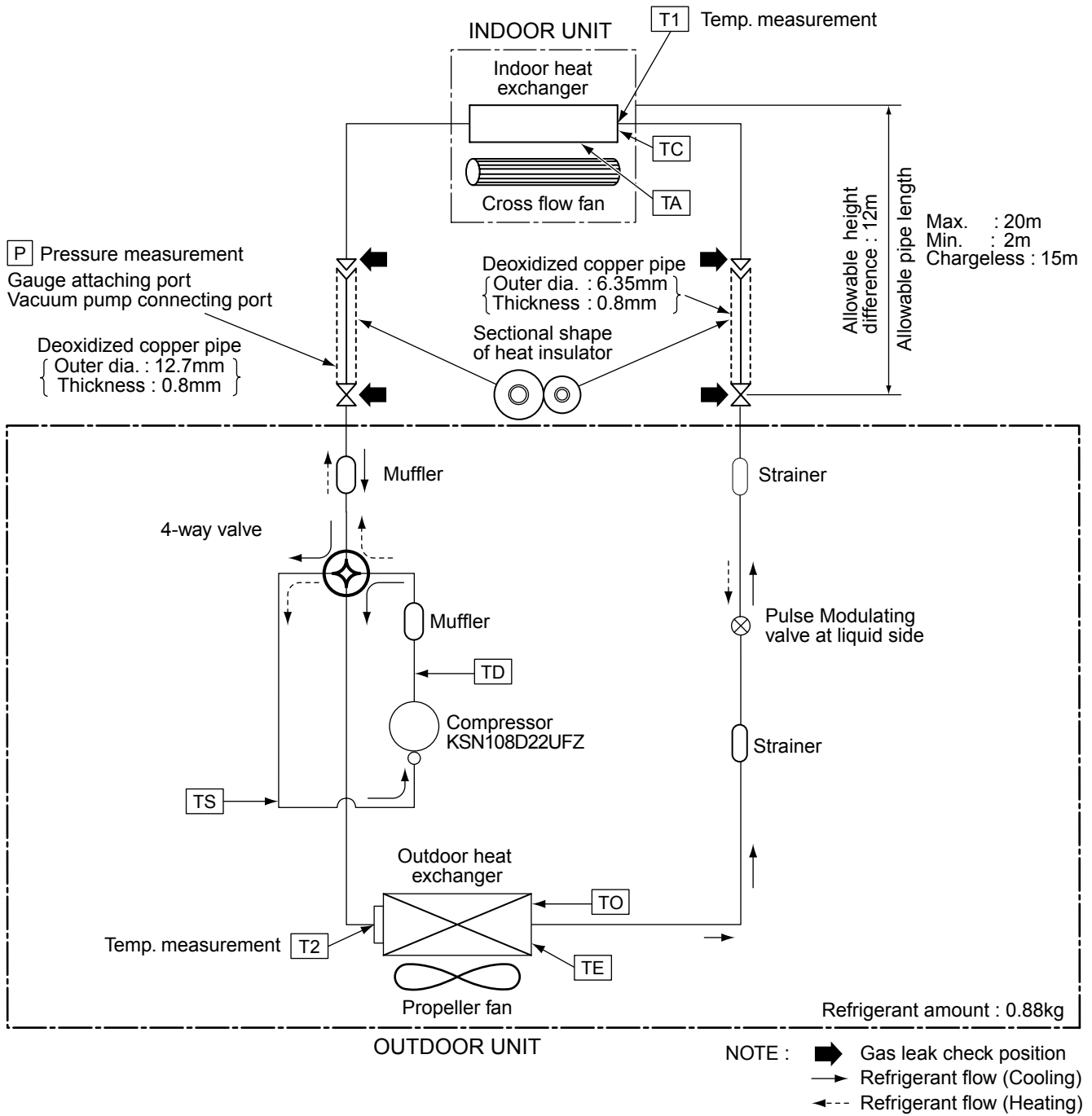


RAS-B16J2KVG-E/UA / RAS-16J2AVG-E/UA

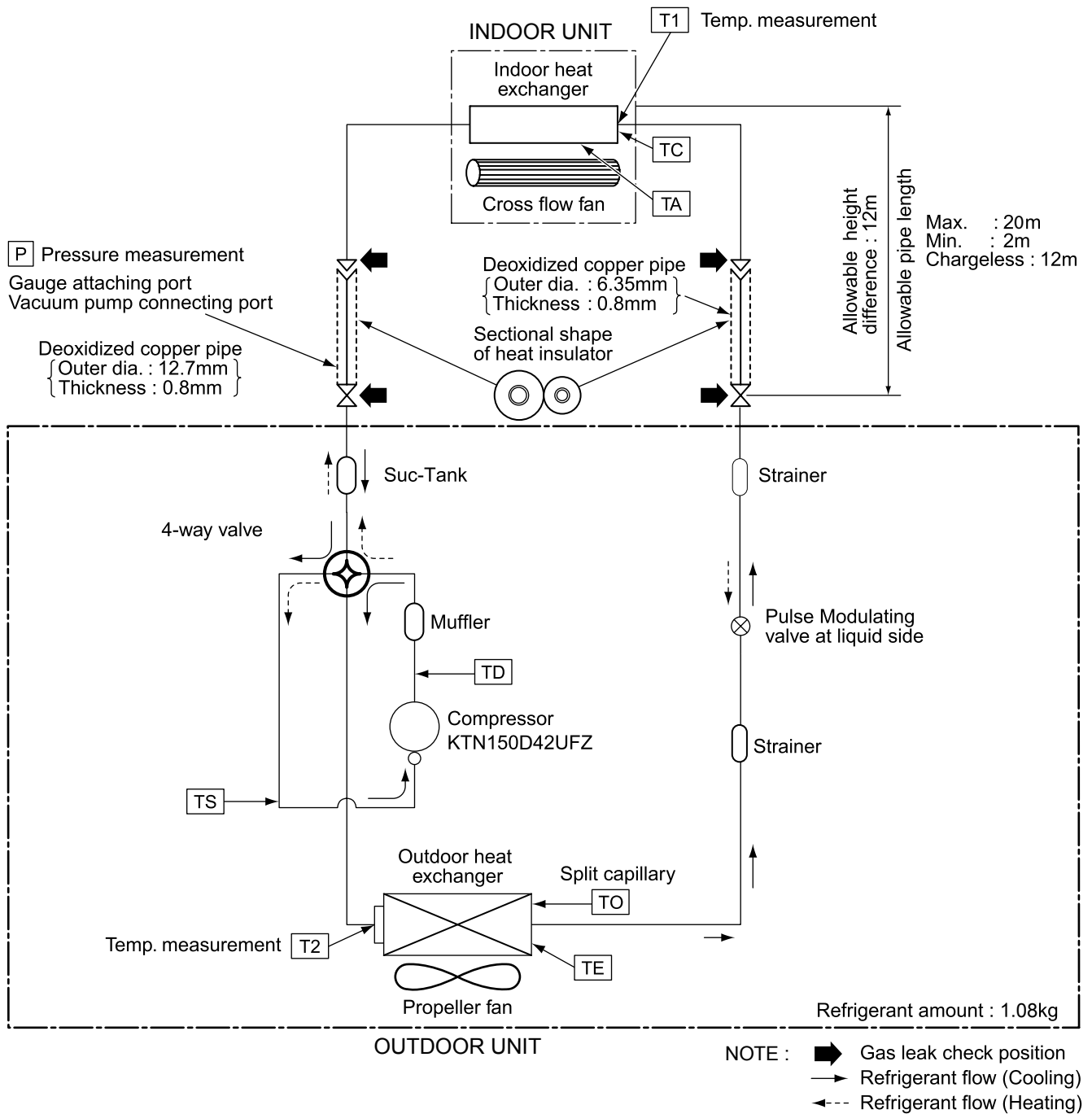
RAS-16J2KVG-TR / RAS-16J2AVG-TR



RAS-18J2KVG-E/UA/TR / RAS-18J2AVG-E/UA/TR



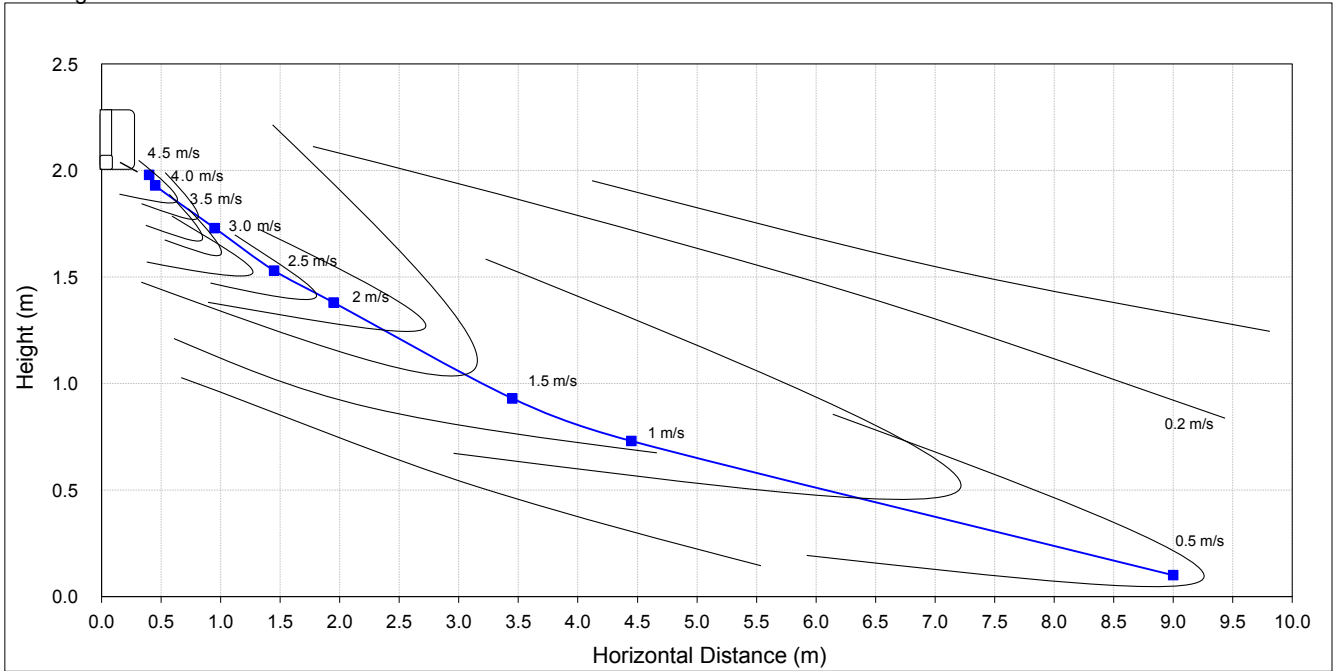
RAS-24J2KVG-E/UA/TR / RAS-24J2AVG-E/UA/TR



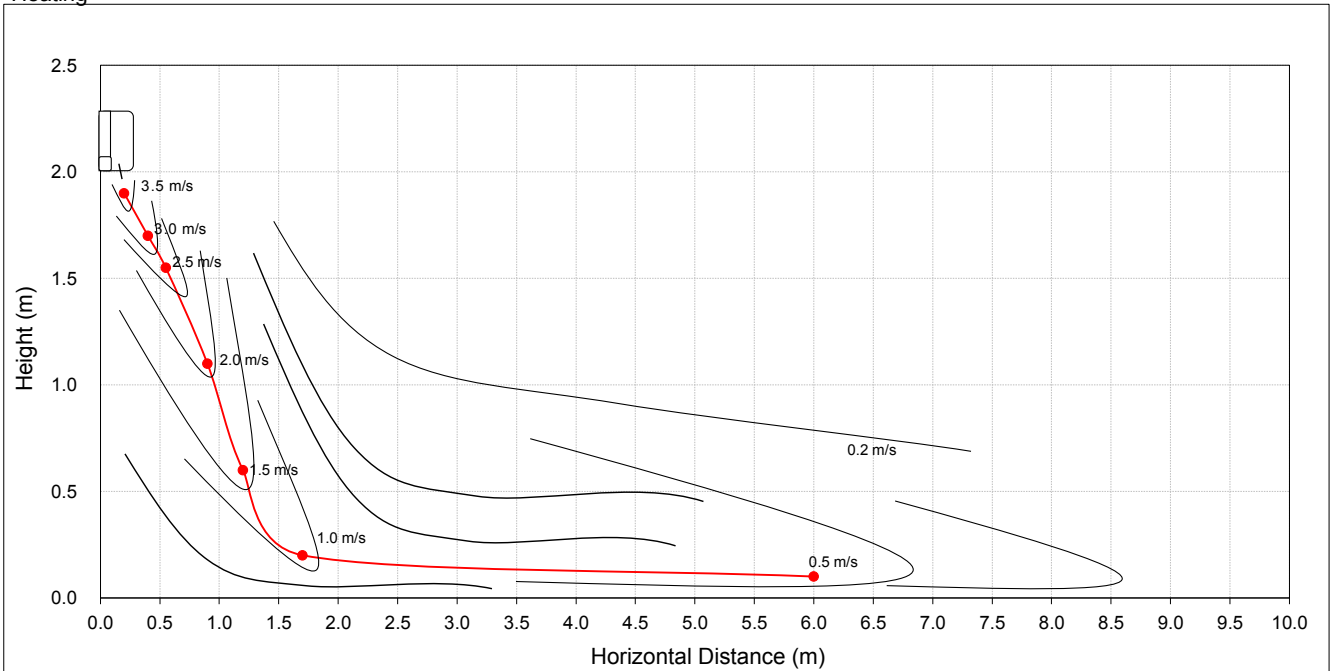
6. Air Speed Distribution

Indoor Unit : RAS-B05J2KVG-E/UA, RAS-05J2KVG-TR

Cooling

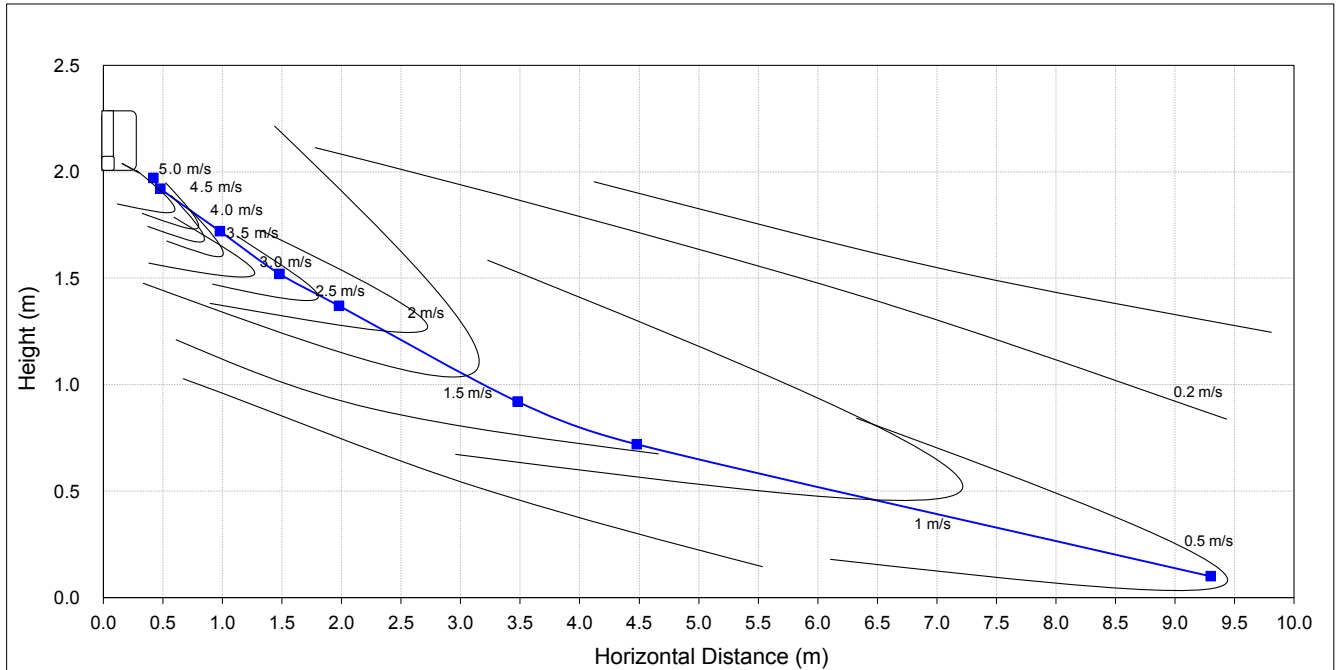


Heating

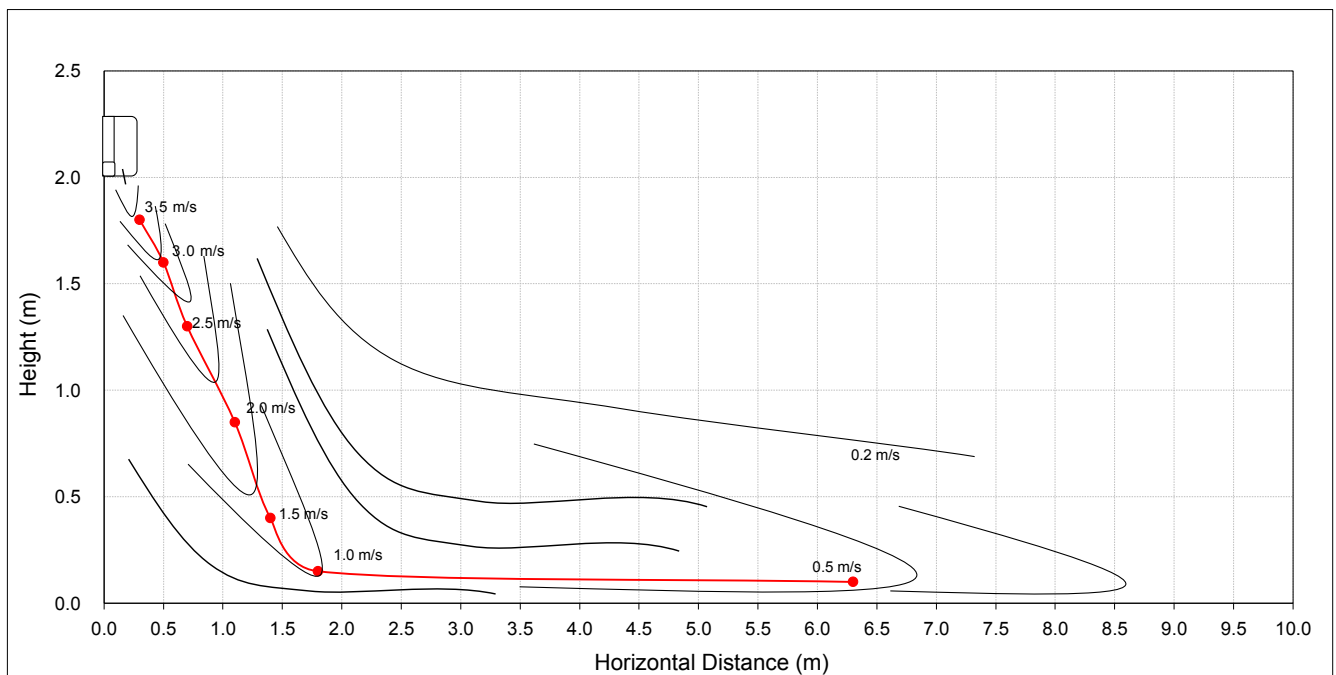


Indoor Unit : RAS-B07J2KVG-E/UA, RAS-07J2KVG-TR

Cooling

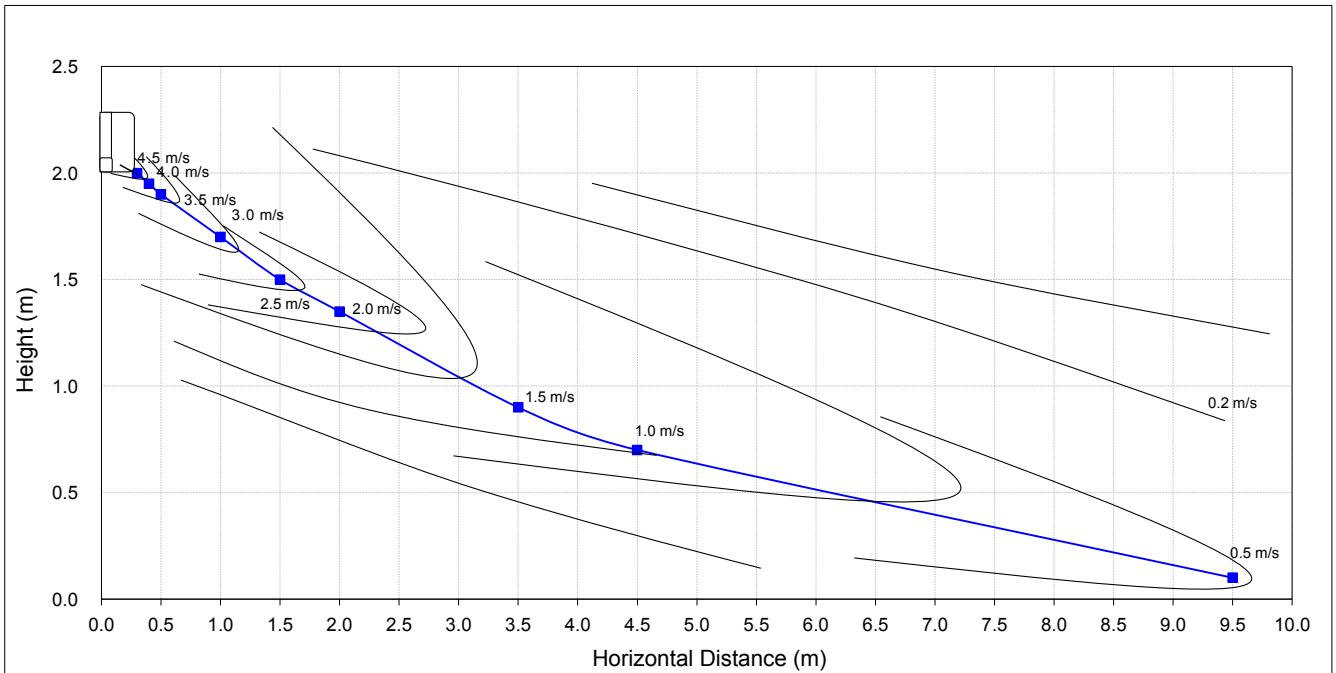


Heating

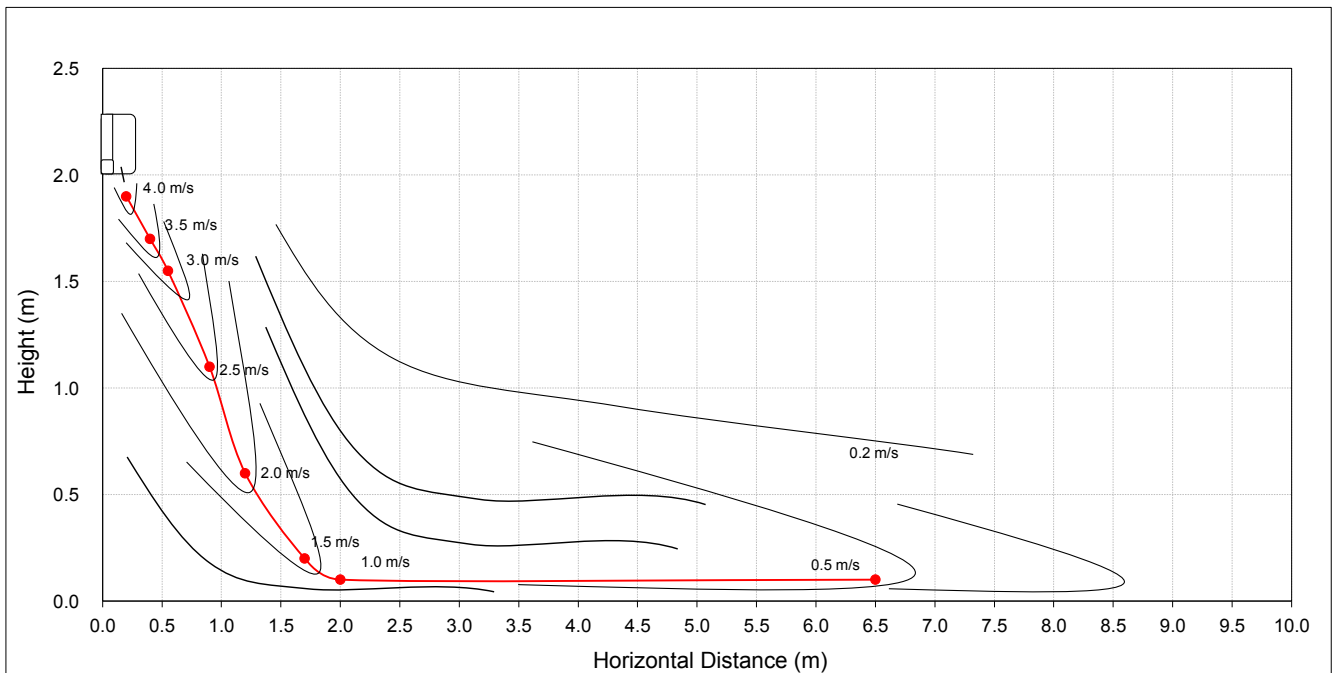


Indoor Unit : RAS-B10J2KVG-E/UA, RAS-10J2KVG-TR

Cooling

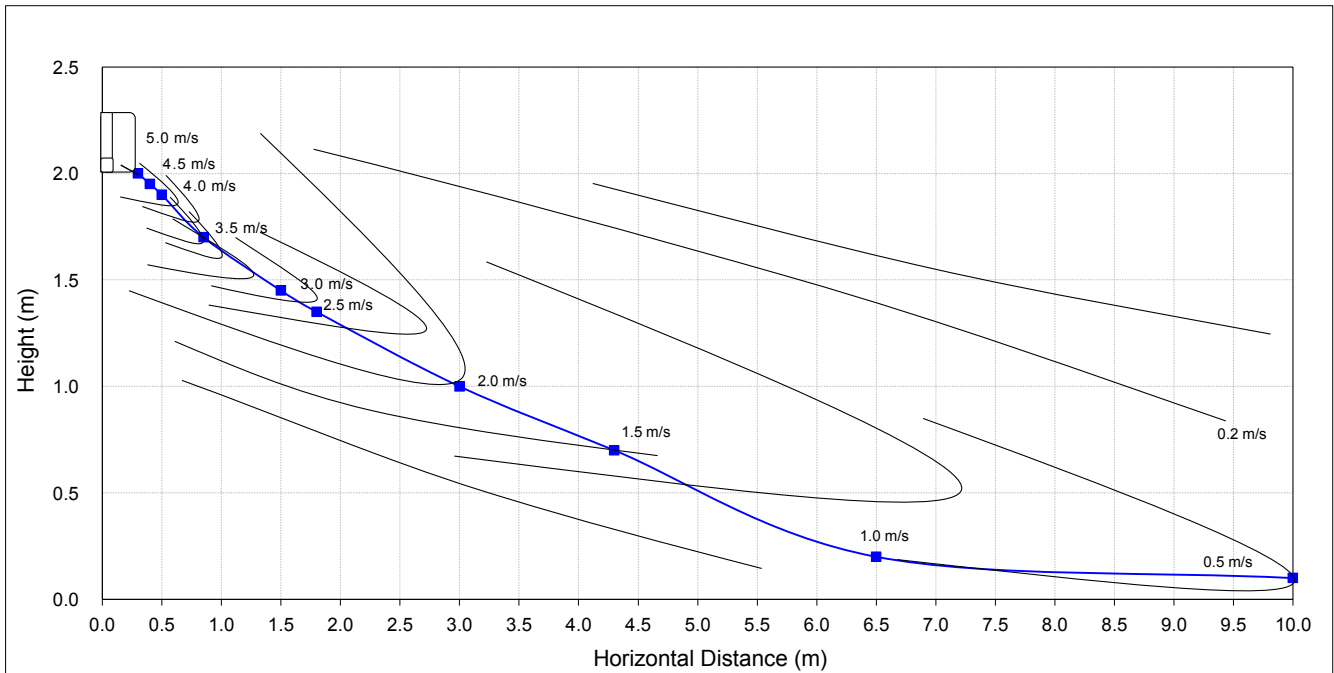


Heating

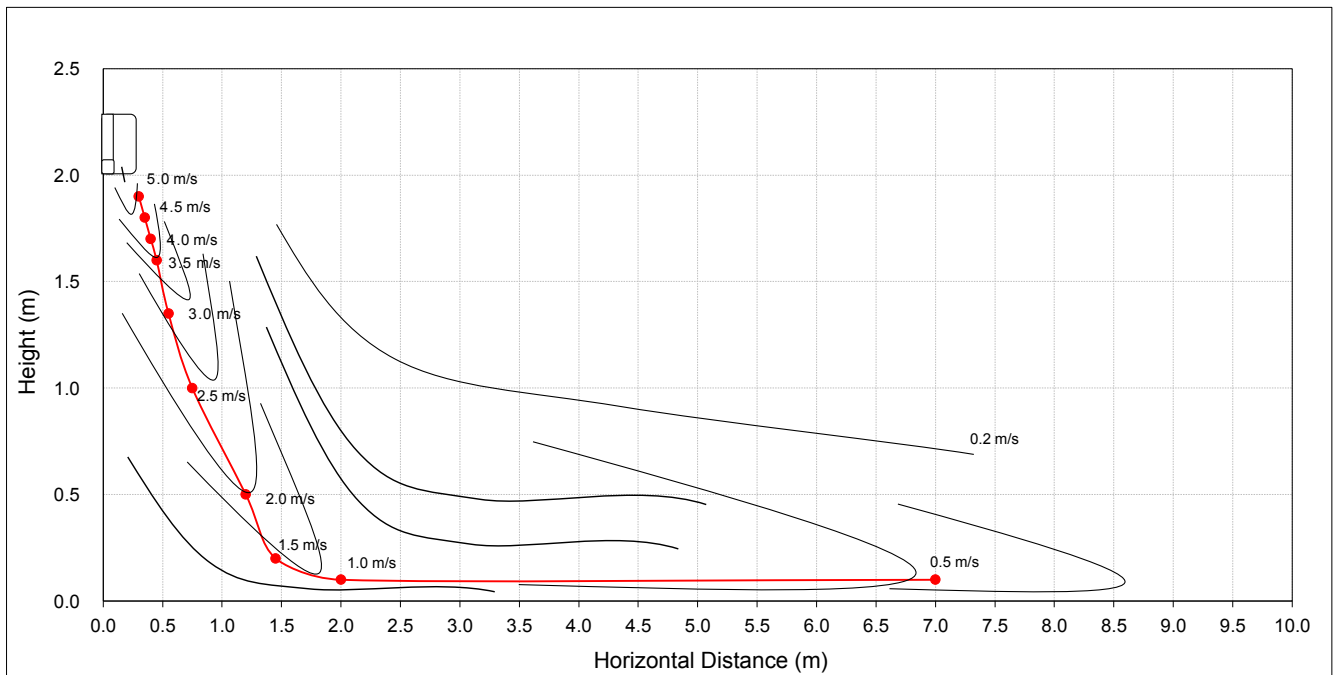


Indoor Unit : RAS-B13J2KVG-E/UA, RAS-13J2KVG-TR

Cooling

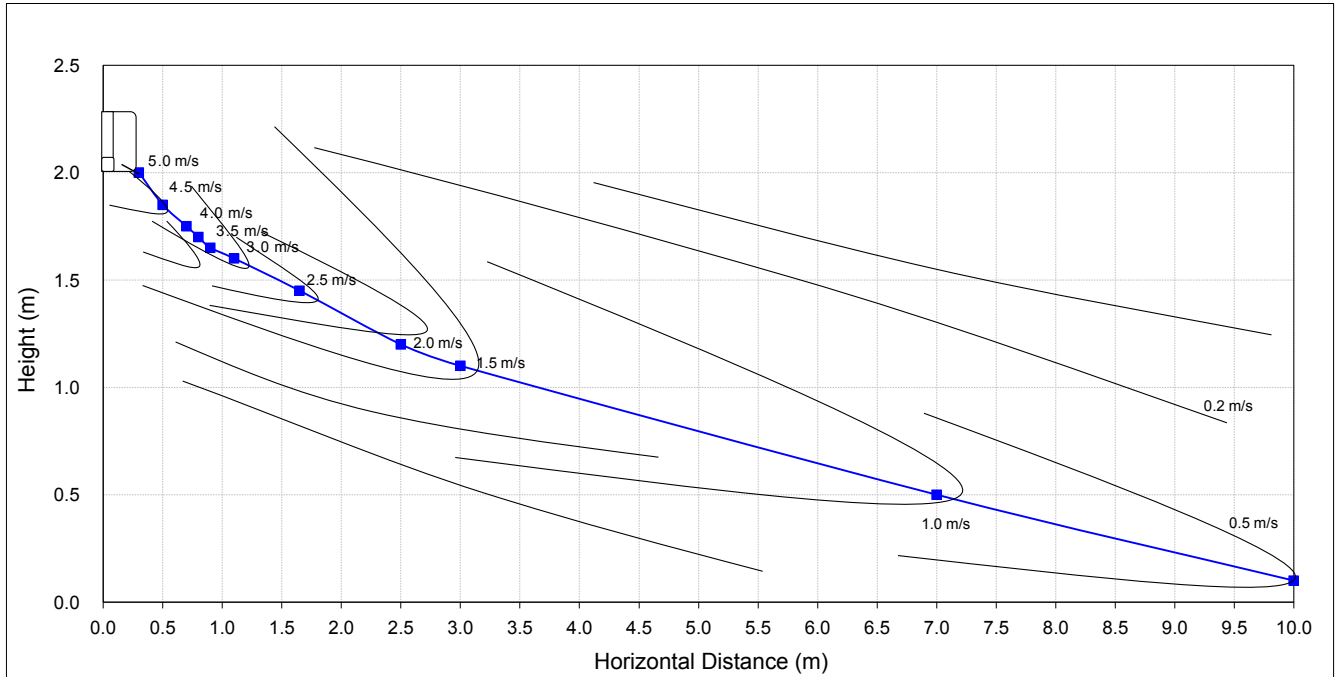


Heating

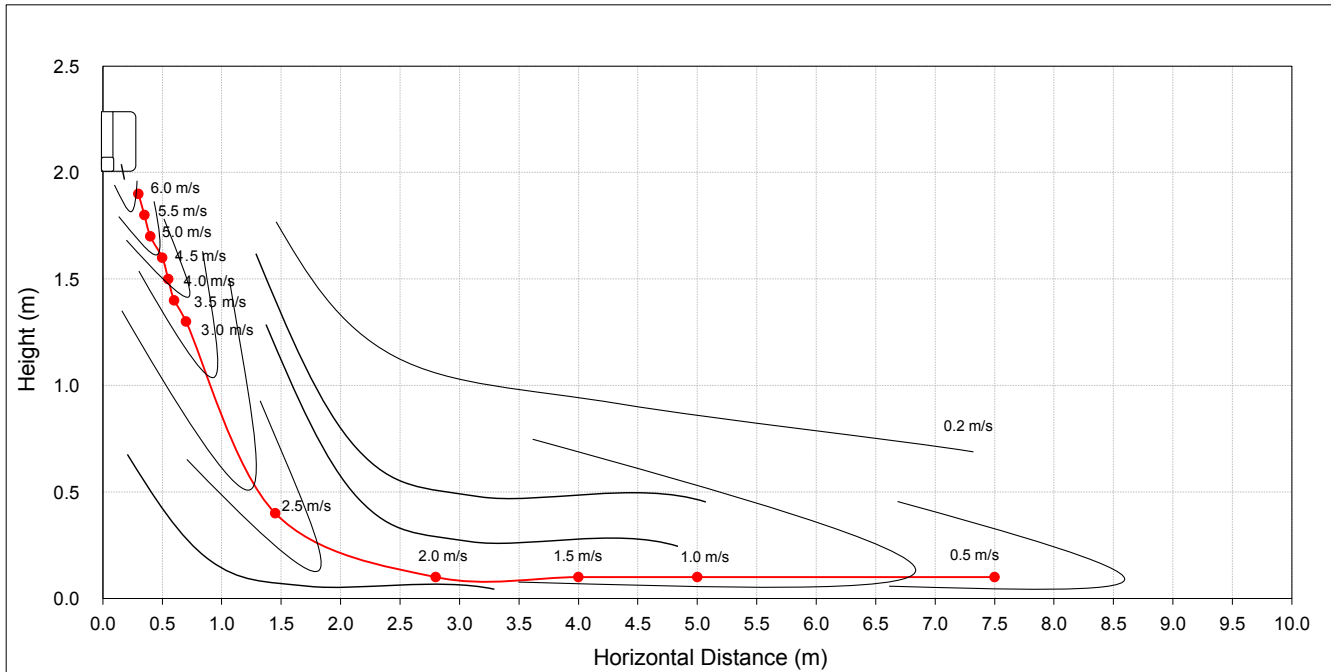


Indoor Unit : RAS-B16J2KVG-E/UA, RAS-16J2KVG-TR

Cooling

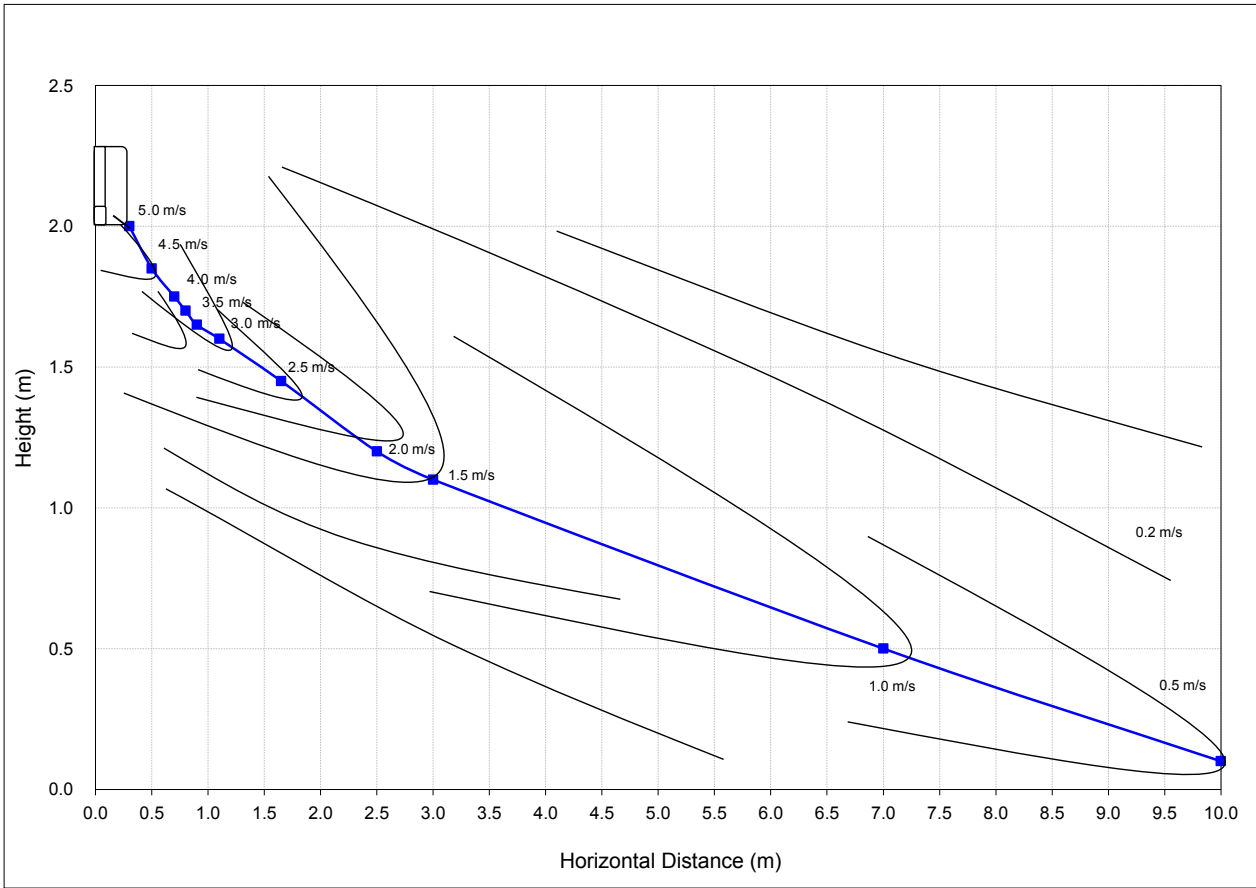


Heating

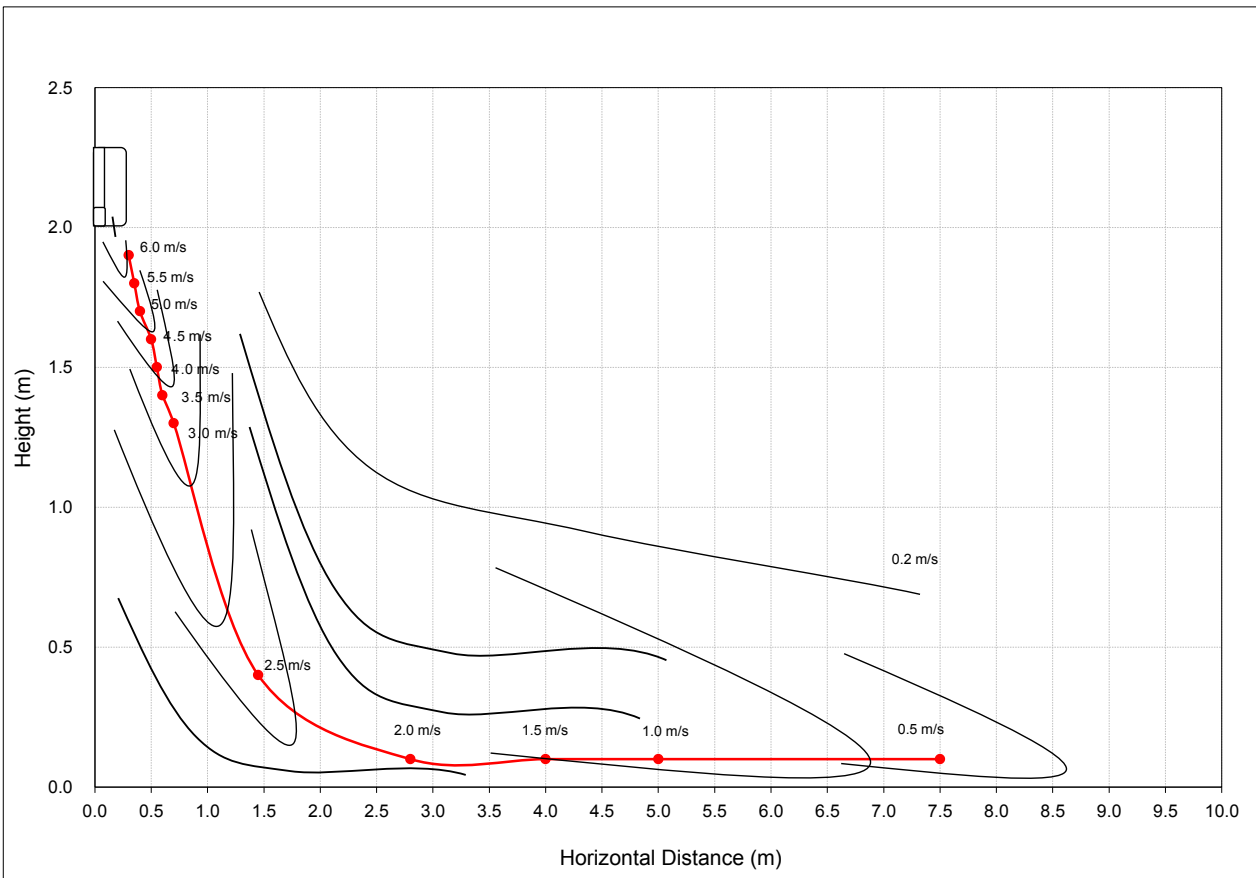


Indoor Unit : RAS-18J2KVG-E/UA/TR

Cooling

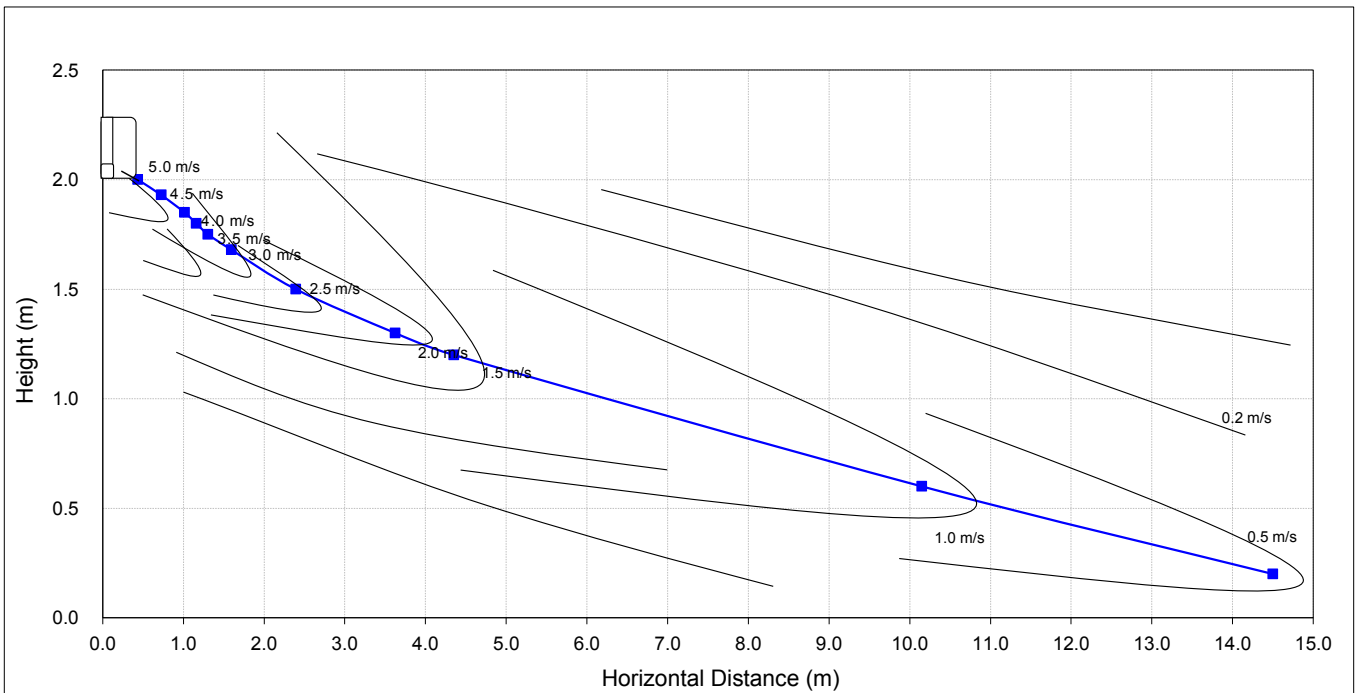


Heating

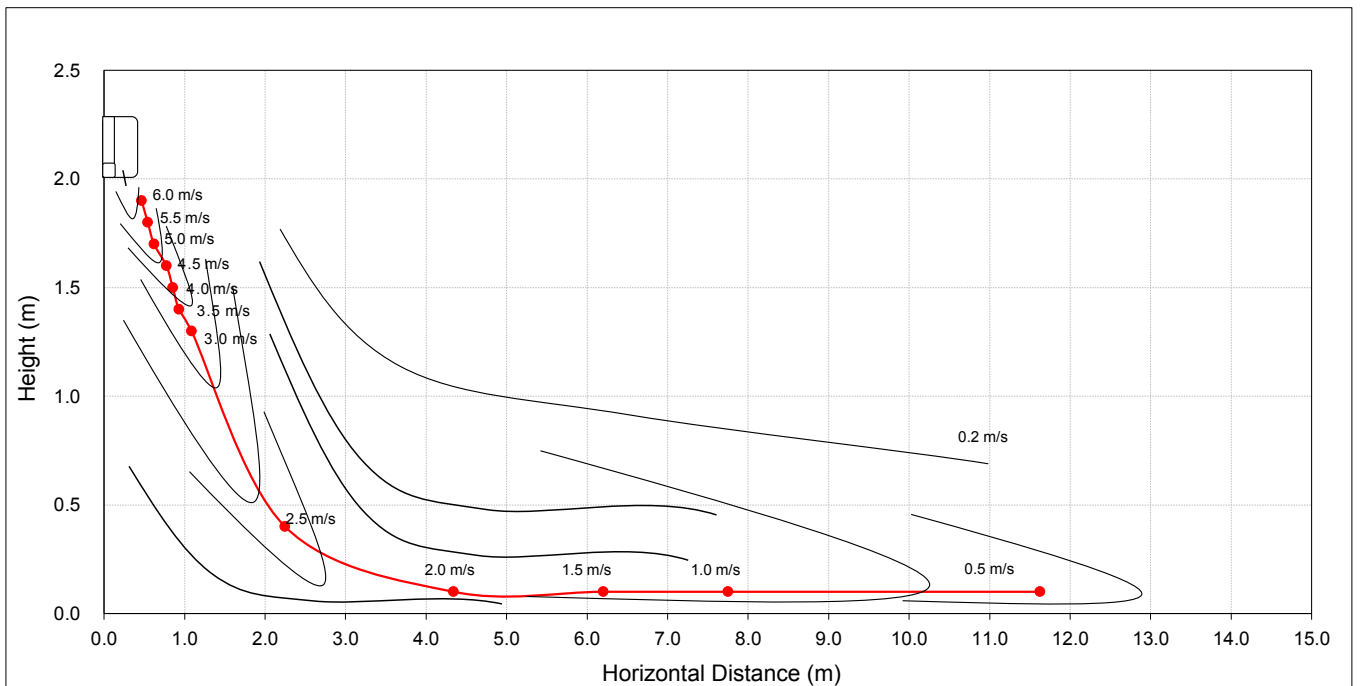


Indoor Unit : RAS-24J2KVG-E/UA/TR

Cooling



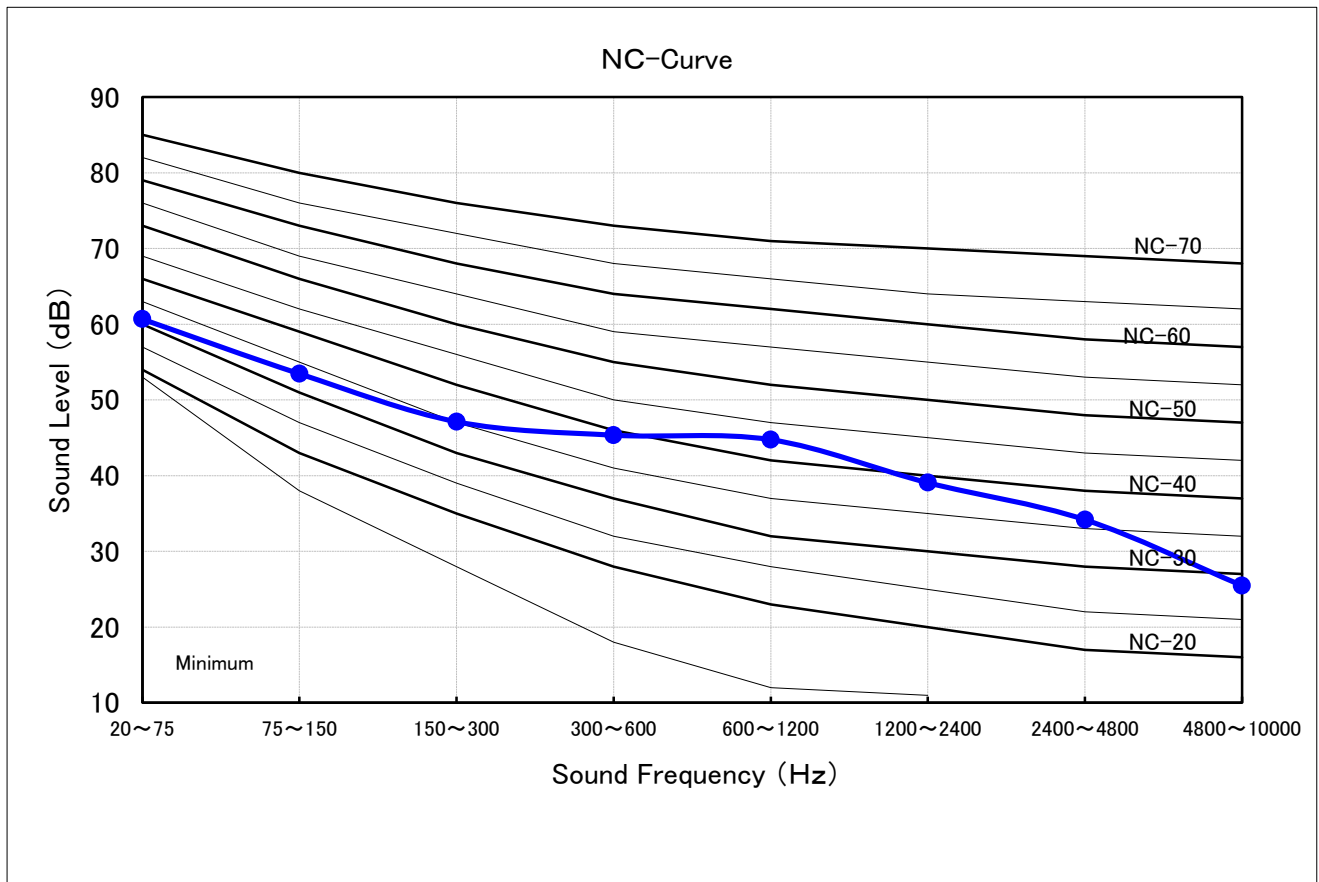
Heating



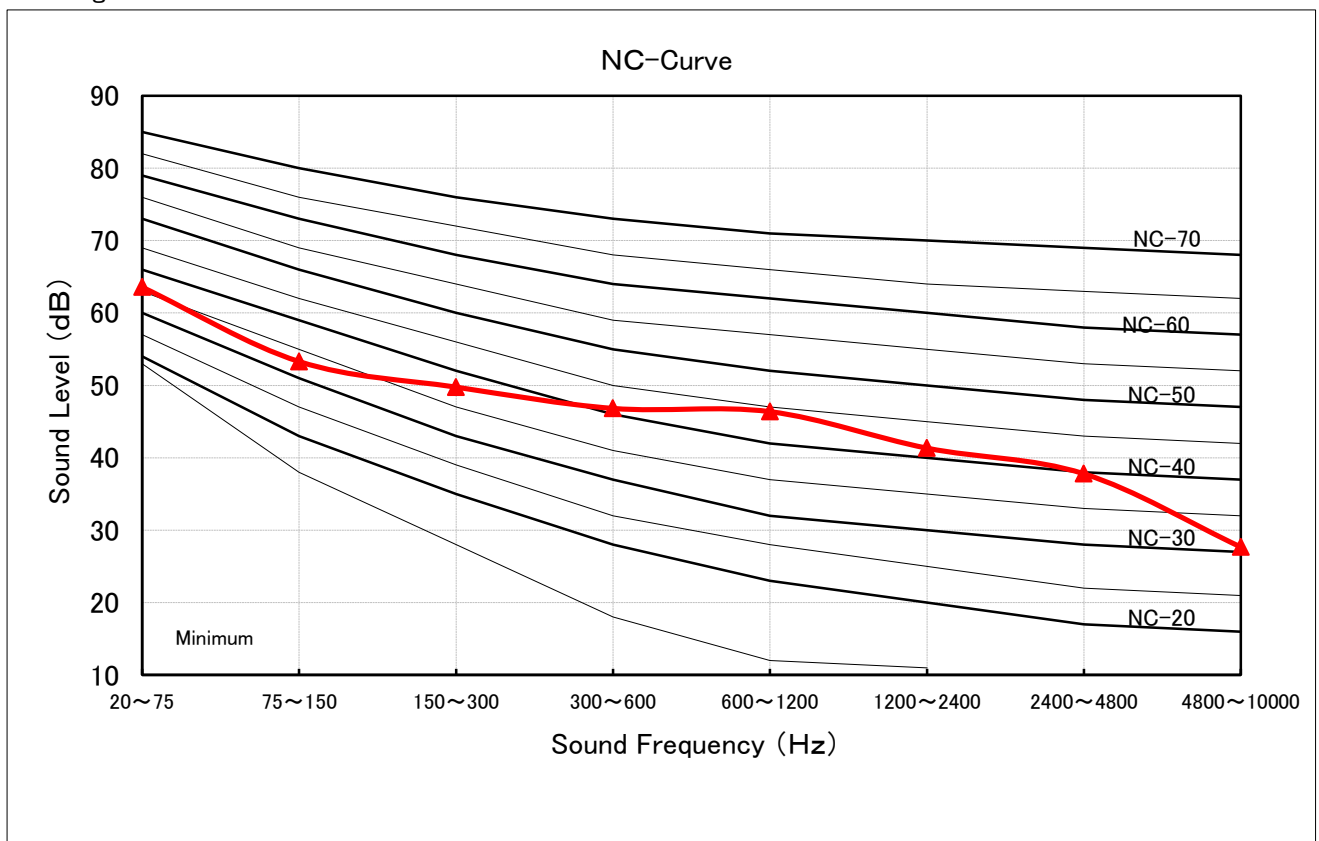
7. Sound Characteristics (NC Curve)

Outdoor Unit : RAS-05J2AVG-E/UA/TR (Rated Conditions)

Cooling

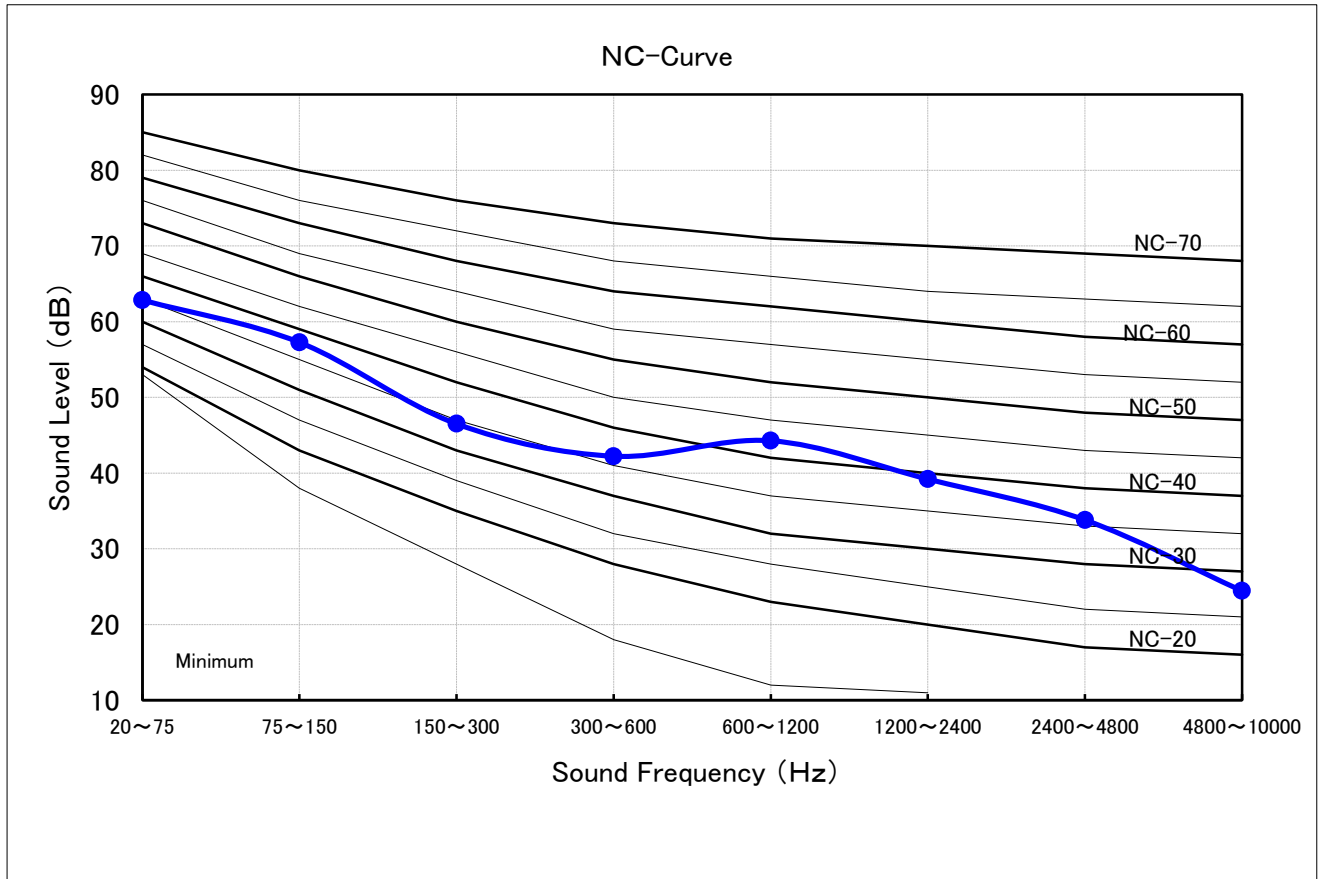


Heating

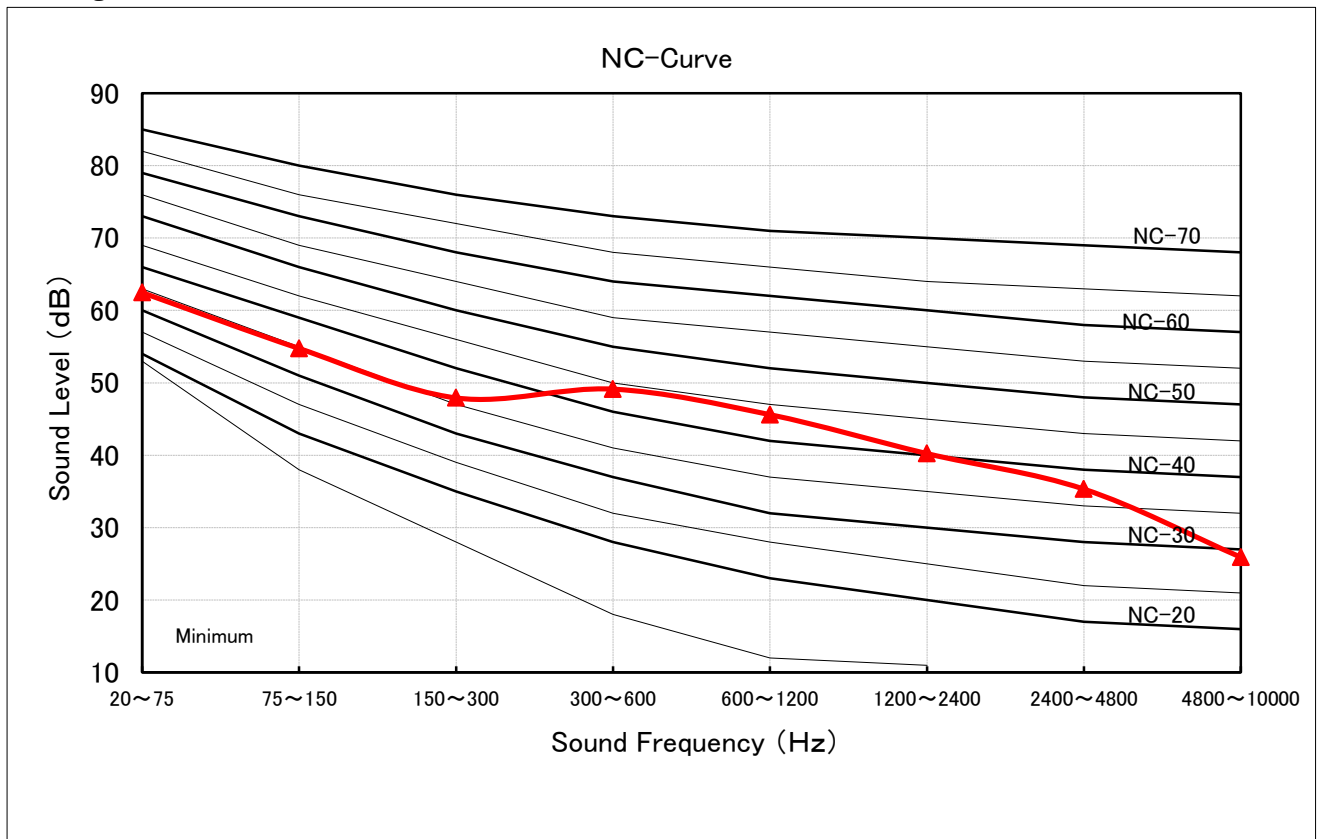


Outdoor Unit : RAS-07J2AVG-E/UA/TR (Rated Conditions)

Cooling

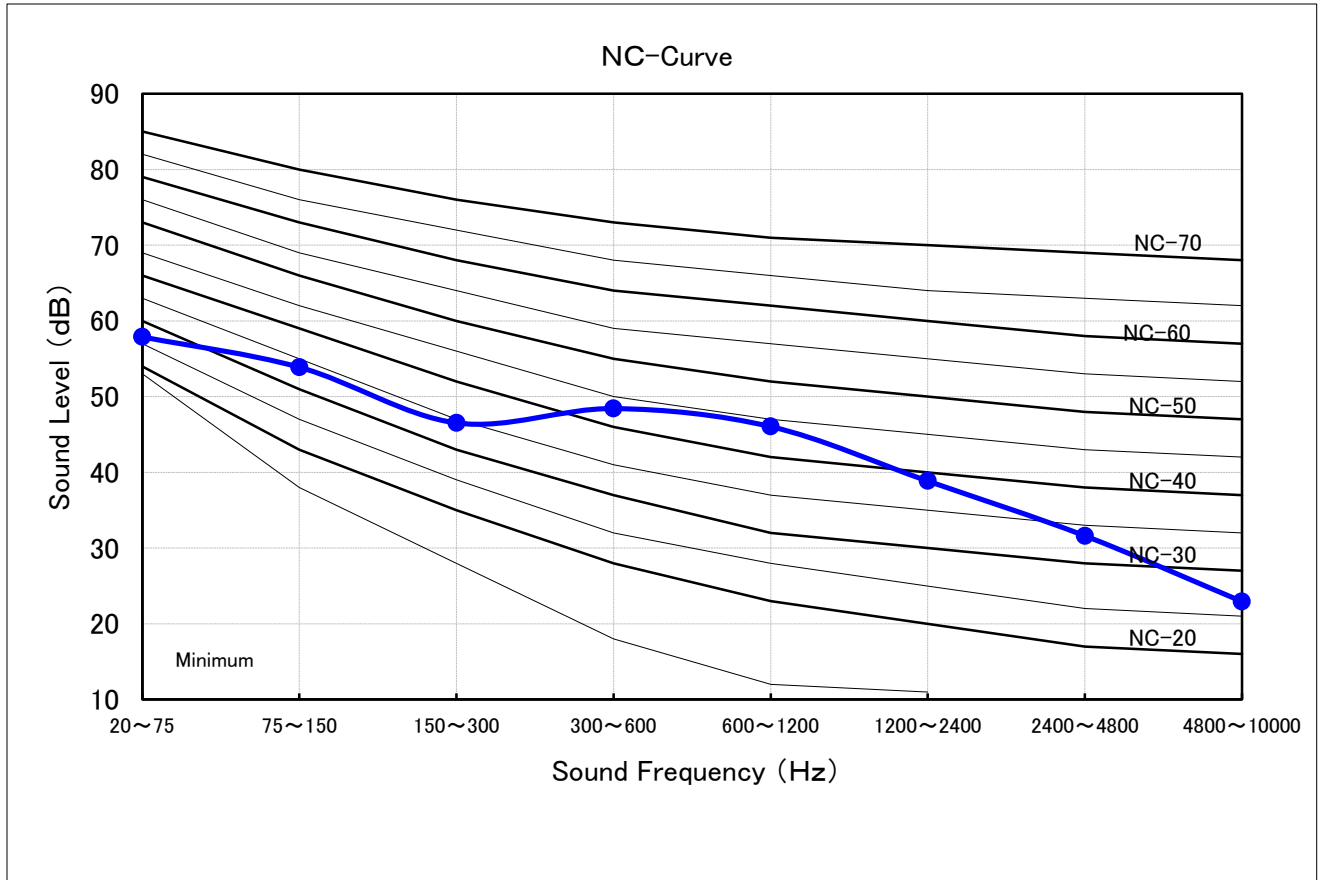


Heating

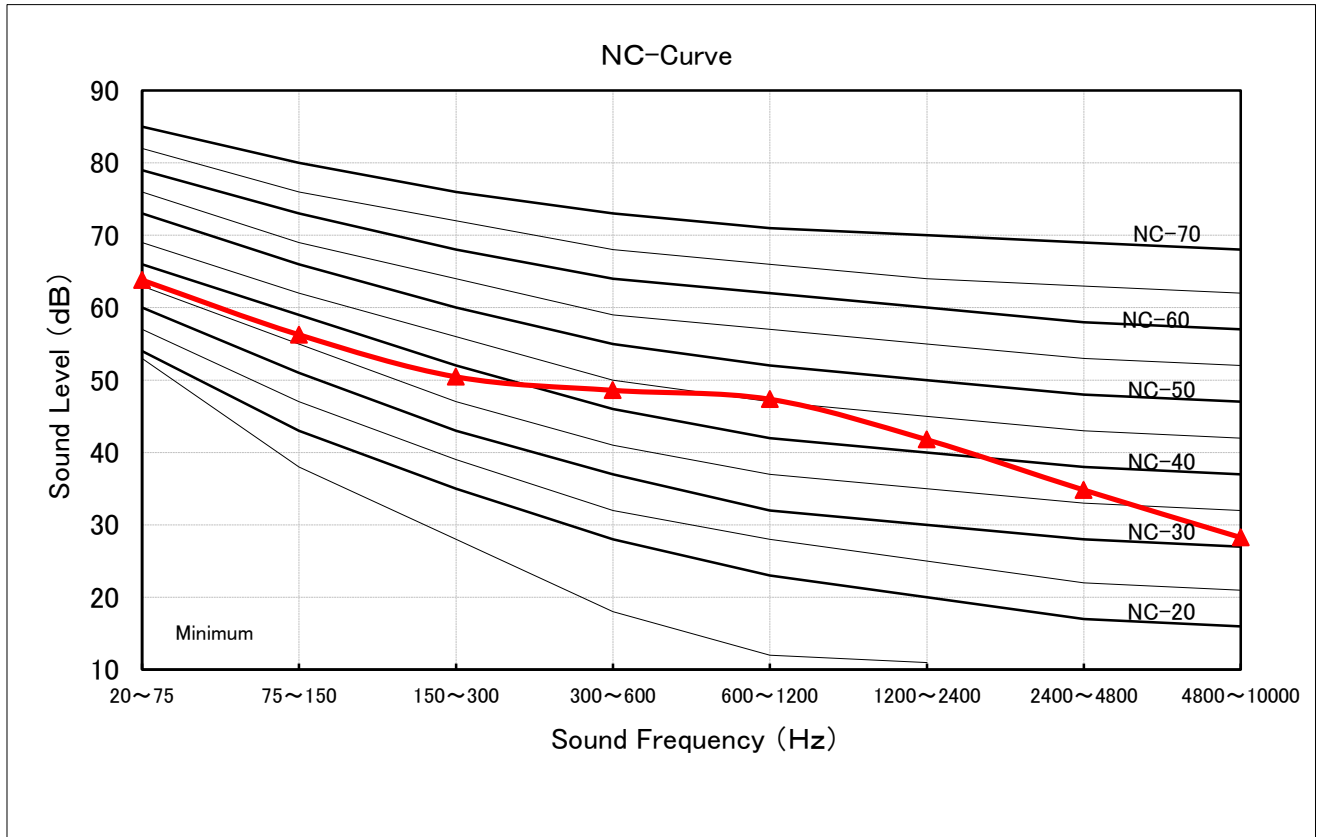


Outdoor Unit : RAS-10J2AVG-E/UA/TR (Rated Conditions)

Cooling

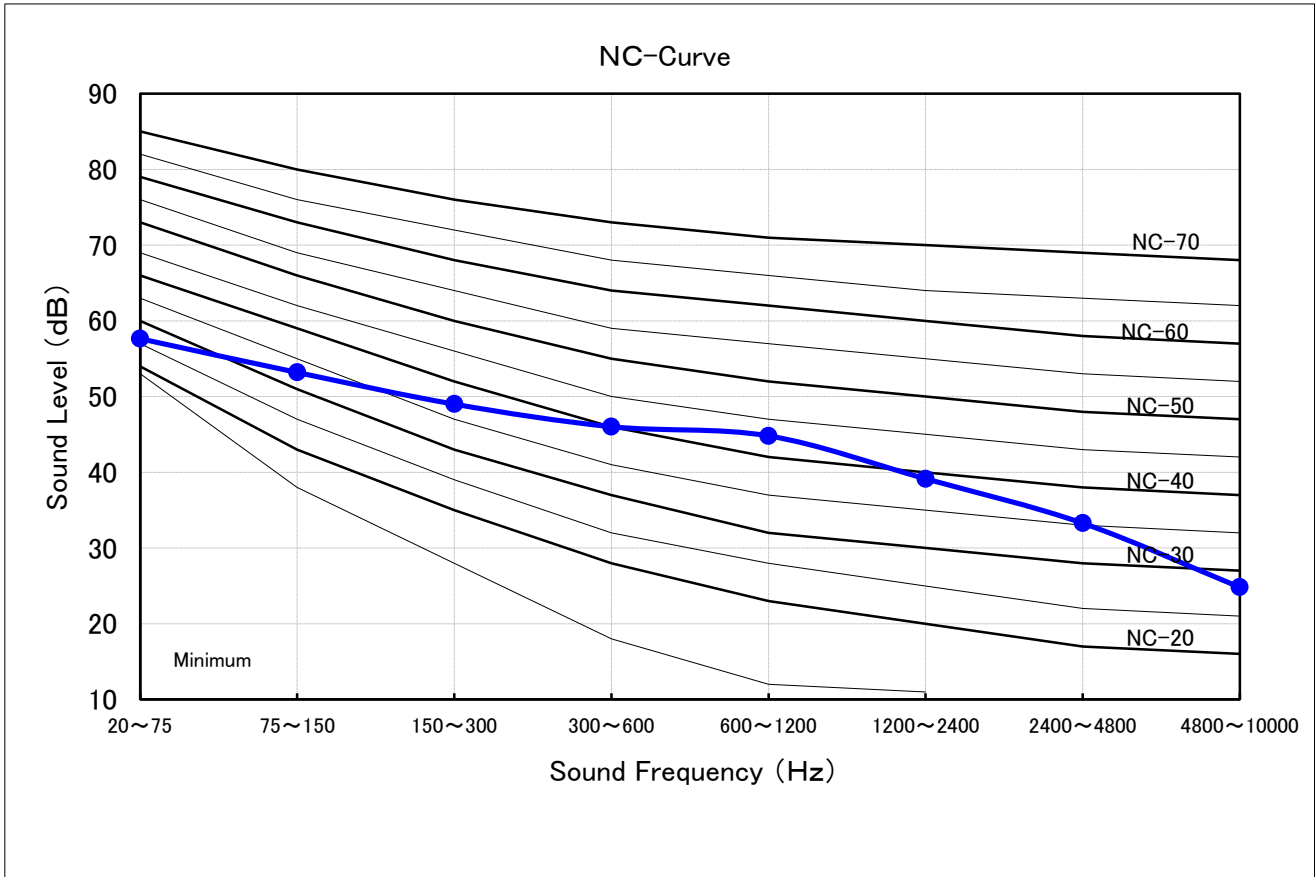


Heating

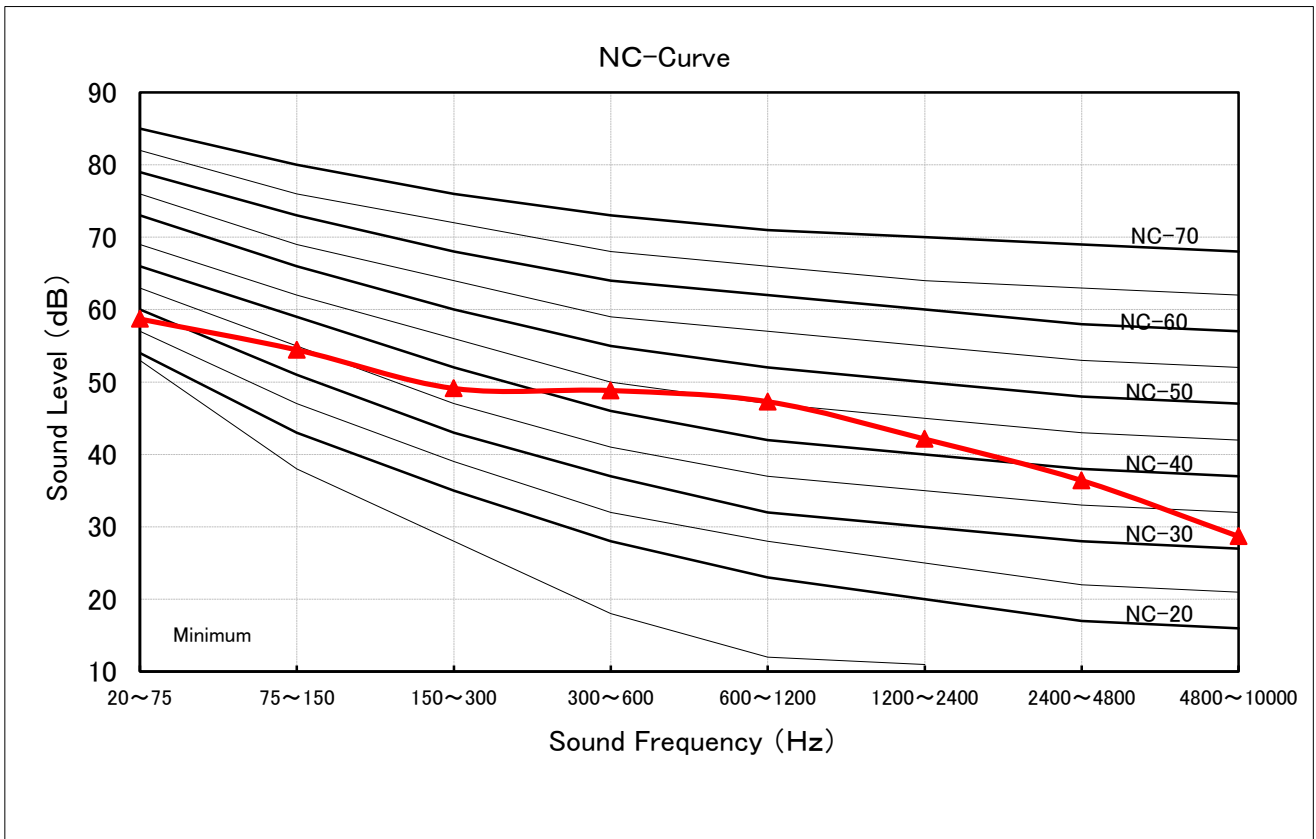


Outdoor Unit : RAS-13J2AVG-E/UA/TR (Rated Conditions)

Cooling

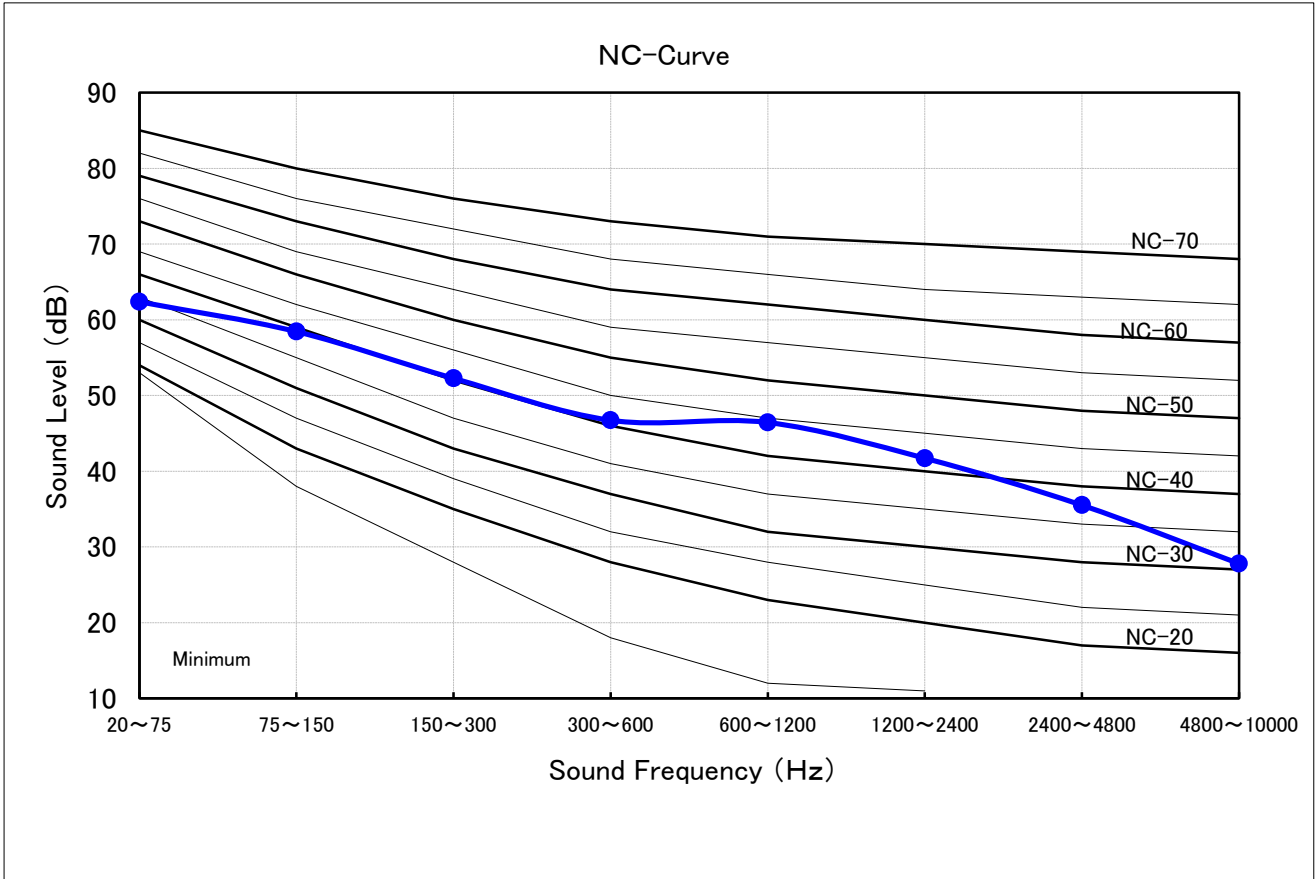


Heating

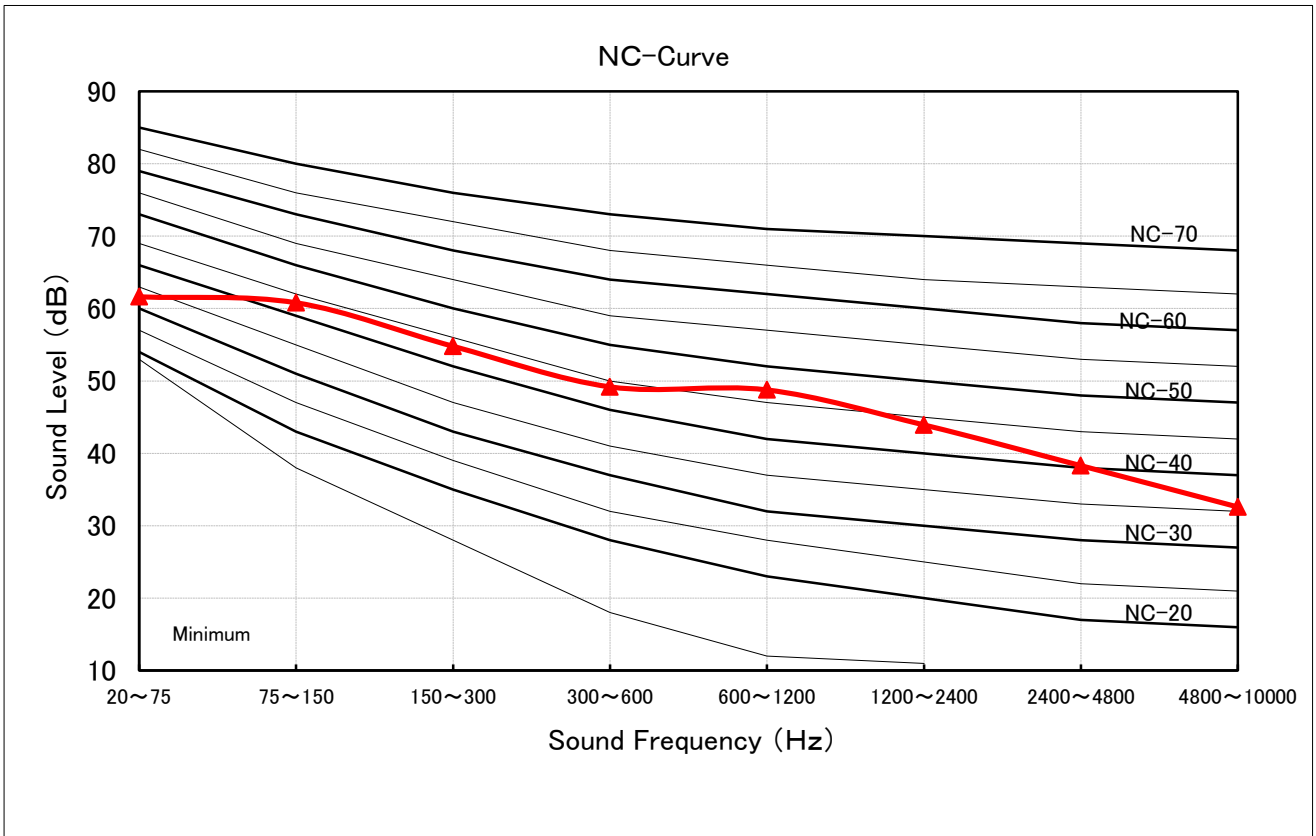


Outdoor Unit : RAS-16J2AVG-E/UA/TR (Rated Conditions)

Cooling

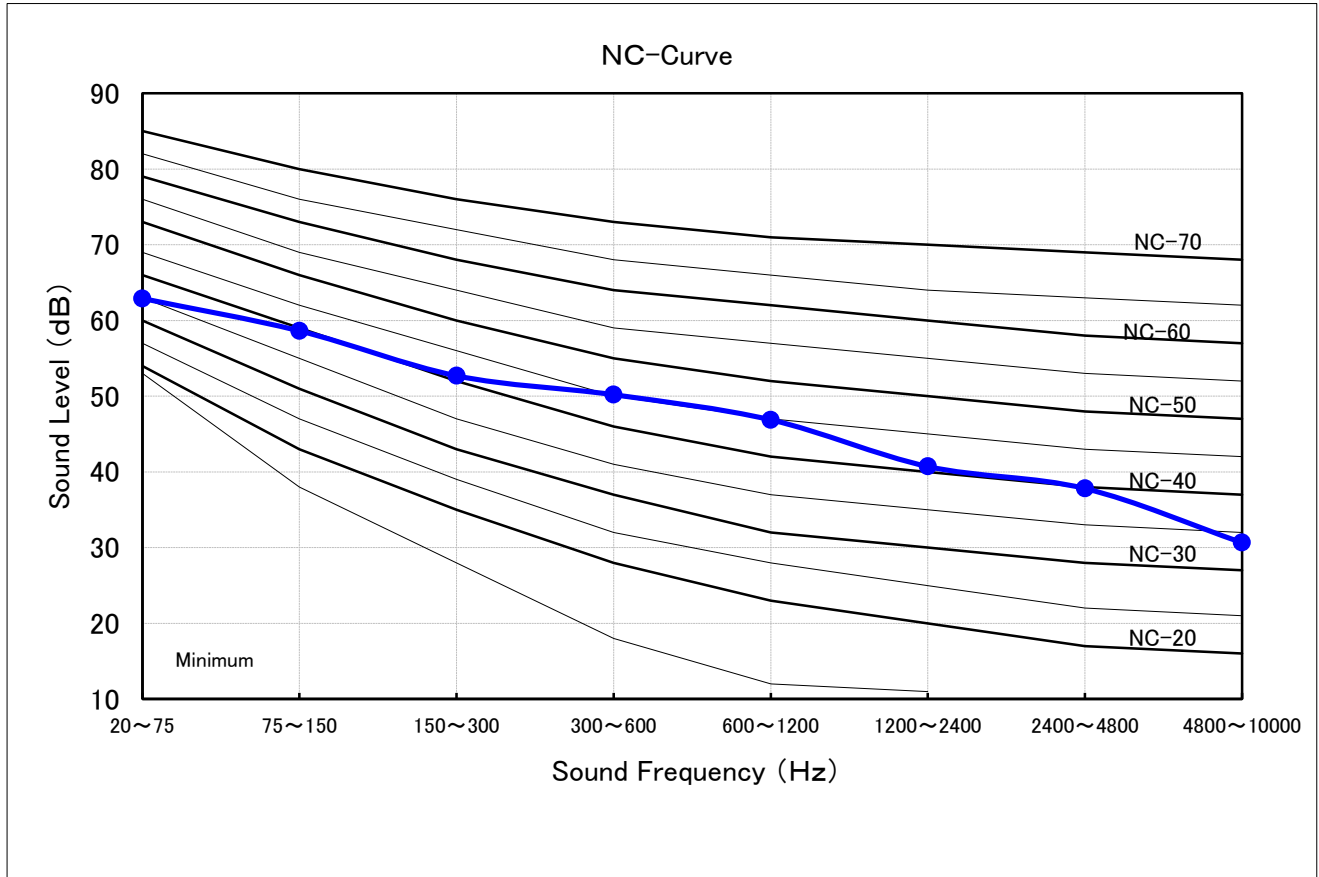


Heating

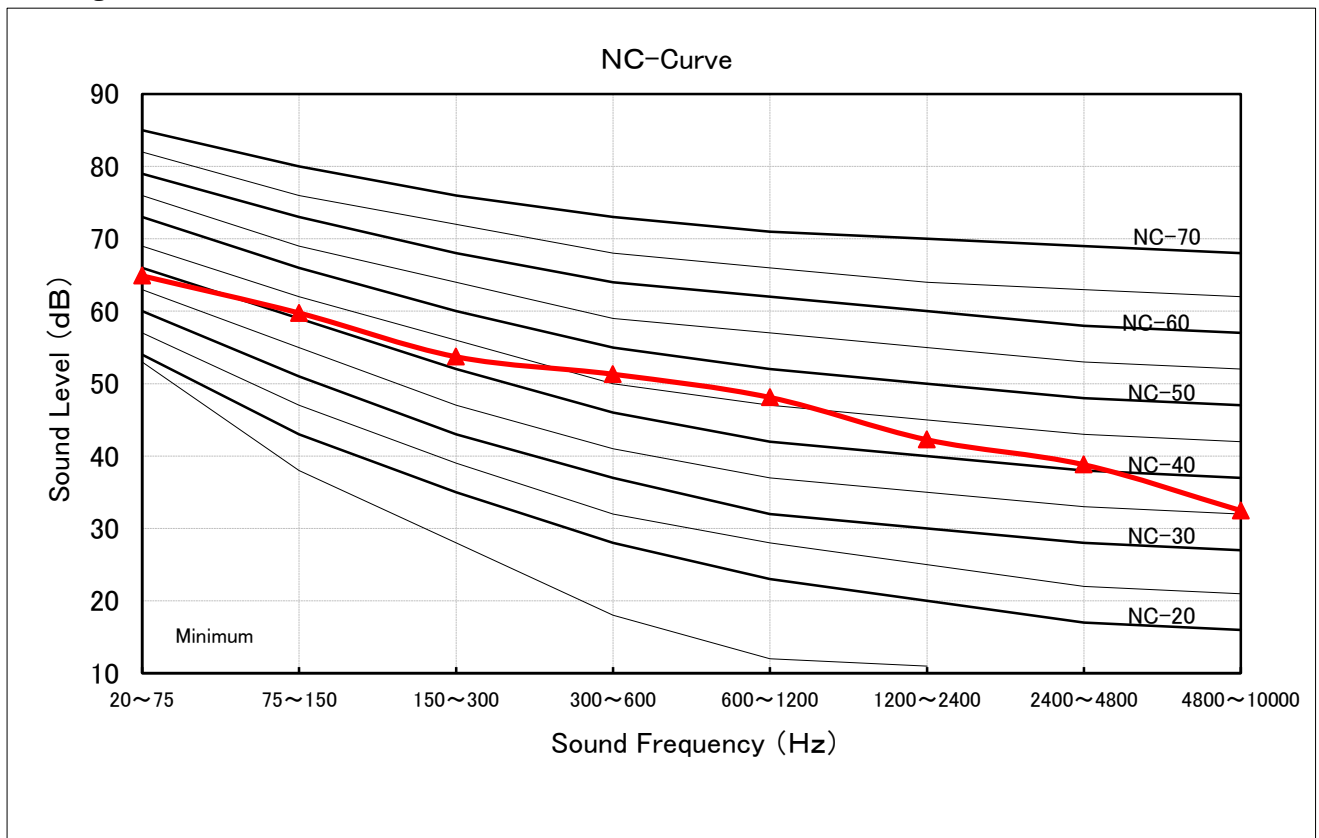


Outdoor Unit : RAS-18J2AVG-E/UA/TR (Rated Conditions)

Cooling

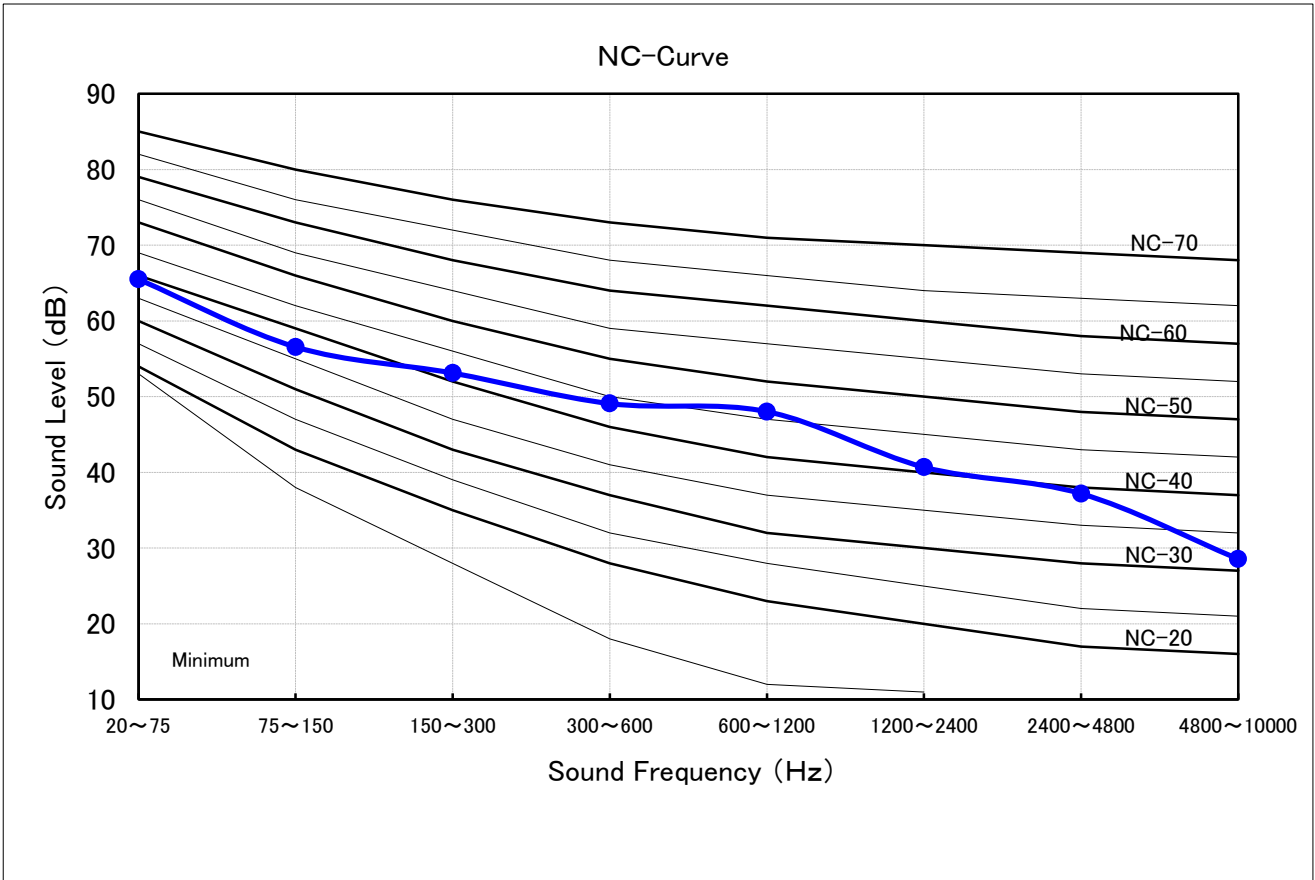


Heating

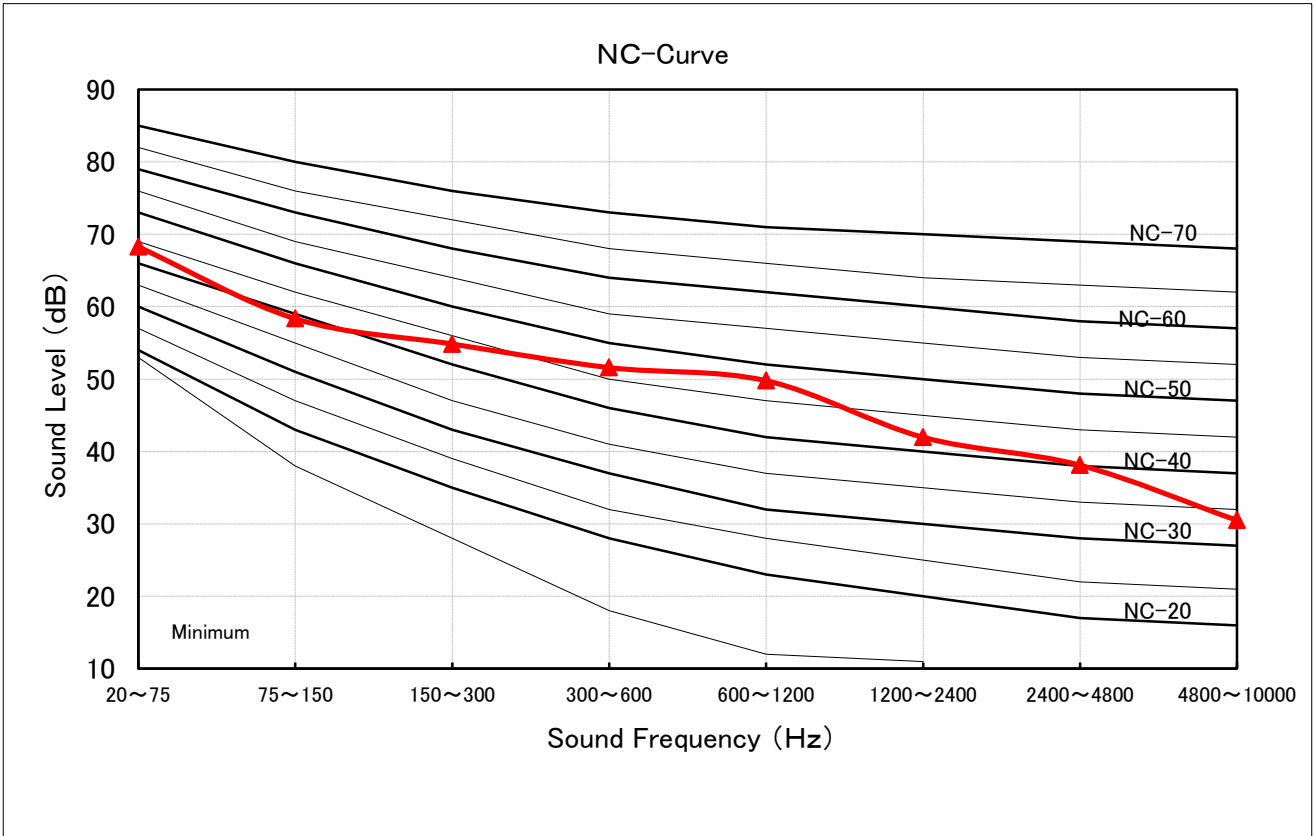


Outdoor Unit : RAS-24J2AVG-E/UA/TR (Rated Conditions)

Cooling(T1)



Cooling(T3)



8. Capacity Table

Product models : RAS-B05J2KVG-E / RAS-05J2AVG-E
 RAS-B05J2KVG-UA / RAS-05J2AVG-UA
 RAS-05J2KVG-TR / RAS-05J2AVG-TR

Specification of product at standard condition

Standard Condition	Indoor	27°C (DB) / 19°C (WB)	Total Cooling Capacity (TC)	1.50 kW
	Outdoor	35°C (DB) / 24°C (WB)	Sensible Heat Capacity (SHC)	1.20 kW

Outdoor air temperature DB (°C)	Indoor air temperature													
	20.0°C (DB) 14.0°C (WB)		23.0°C (DB) 16.0°C (WB)		26.0°C (DB) 18.0°C (WB)		27.0°C (DB) 19.0°C (WB)		28.0°C (DB) 20.0°C (WB)		30.0°C (DB) 22.0°C (WB)		32.0°C (DB) 24.0°C (WB)	
	TC	SHC	TC	SHC	TC	SHC	TC	SHC	TC	SHC	TC	SHC	TC	SHC
20	1.47	1.26	1.62	1.35	1.74	1.43	1.79	1.43	1.84	1.43	1.95	1.42	2.04	1.39
21	1.45	1.25	1.61	1.33	1.72	1.42	1.77	1.42	1.82	1.41	1.93	1.40	2.02	1.37
22	1.44	1.24	1.59	1.32	1.70	1.40	1.75	1.40	1.80	1.40	1.91	1.39	1.99	1.36
23	1.42	1.22	1.57	1.30	1.68	1.39	1.73	1.38	1.78	1.38	1.89	1.37	1.97	1.34
24	1.41	1.21	1.55	1.29	1.66	1.37	1.71	1.37	1.76	1.37	1.86	1.36	1.95	1.33
25	1.39	1.20	1.54	1.28	1.64	1.36	1.69	1.35	1.74	1.35	1.84	1.34	1.93	1.31
26	1.37	1.18	1.52	1.26	1.63	1.34	1.67	1.34	1.72	1.34	1.82	1.33	1.91	1.30
27	1.36	1.17	1.50	1.25	1.61	1.33	1.65	1.32	1.70	1.32	1.80	1.31	1.88	1.28
28	1.34	1.16	1.48	1.23	1.59	1.31	1.63	1.31	1.68	1.31	1.78	1.29	1.86	1.27
29	1.33	1.14	1.47	1.22	1.57	1.29	1.62	1.29	1.66	1.29	1.76	1.28	1.84	1.26
30	1.31	1.13	1.45	1.20	1.55	1.28	1.60	1.28	1.64	1.28	1.74	1.26	1.82	1.24
31	1.30	1.12	1.43	1.19	1.53	1.26	1.58	1.26	1.62	1.26	1.72	1.25	1.80	1.23
32	1.28	1.10	1.41	1.17	1.51	1.25	1.56	1.25	1.60	1.25	1.70	1.23	1.77	1.21
33	1.26	1.09	1.40	1.16	1.49	1.23	1.54	1.23	1.58	1.23	1.68	1.22	1.75	1.20
34	1.25	1.07	1.38	1.15	1.48	1.22	1.52	1.22	1.56	1.21	1.65	1.20	1.73	1.18
35	1.23	1.06	1.36	1.13	1.46	1.20	1.50	1.20	1.54	1.20	1.63	1.19	1.71	1.17
36	1.22	1.05	1.34	1.12	1.44	1.19	1.48	1.18	1.52	1.18	1.61	1.17	1.69	1.15
37	1.20	1.03	1.33	1.10	1.42	1.17	1.46	1.17	1.50	1.17	1.59	1.16	1.67	1.14
38	1.18	1.02	1.31	1.09	1.40	1.16	1.44	1.15	1.48	1.15	1.57	1.14	1.64	1.12
39	1.17	1.01	1.29	1.07	1.38	1.14	1.42	1.14	1.46	1.14	1.55	1.13	1.62	1.11
40	1.15	0.99	1.27	1.06	1.36	1.12	1.40	1.12	1.44	1.12	1.53	1.11	1.60	1.09
41	1.14	0.98	1.26	1.04	1.34	1.11	1.38	1.11	1.42	1.11	1.51	1.10	1.58	1.08
42	1.12	0.97	1.24	1.03	1.33	1.09	1.37	1.09	1.40	1.09	1.49	1.08	1.56	1.06
43	1.11	0.95	1.22	1.01	1.31	1.08	1.35	1.08	1.38	1.08	1.47	1.07	1.53	1.05
44	1.09	0.94	1.20	1.00	1.29	1.06	1.33	1.06	1.36	1.06	1.45	1.05	1.51	1.03
45	1.07	0.92	1.19	0.99	1.27	1.05	1.31	1.05	1.34	1.05	1.42	1.04	1.49	1.02
46	1.06	0.91	1.17	0.97	1.25	1.03	1.29	1.03	1.33	1.03	1.40	1.02	1.47	1.00

TC : Total Capacity [kW]

SHC : Sensible Heat Capacity [kW]

Product models : RAS-B07J2KVG-E / RAS-07J2AVG-E
 RAS-B07J2KVG-UA / RAS-07J2AVG-UA
 RAS-07J2KVG-TR / RAS-07J2AVG-TR

Specification of product at standard condition

Standard Condition	Indoor	27°C (DB) / 19°C (WB)	Total Cooling Capacity (TC)	2.00 kW
	Outdoor	35°C (DB) / 24°C (WB)	Sensible Heat Capacity (SHC)	1.55 kW

Outdoor air temperature DB (°C)	Indoor air temperature													
	20.0°C (DB) 14.0°C (WB)		23.0°C (DB) 16.0°C (WB)		26.0°C (DB) 18.0°C (WB)		27.0°C (DB) 19.0°C (WB)		28.0°C (DB) 20.0°C (WB)		30.0°C (DB) 22.0°C (WB)		32.0°C (DB) 24.0°C (WB)	
	TC	SHC	TC	SHC	TC	SHC	TC	SHC	TC	SHC	TC	SHC	TC	SHC
20	1.96	1.64	2.16	1.74	2.32	1.85	2.39	1.85	2.45	1.85	2.60	1.82	2.72	1.78
21	1.94	1.62	2.14	1.72	2.29	1.83	2.36	1.83	2.43	1.83	2.57	1.80	2.69	1.77
22	1.92	1.60	2.12	1.71	2.27	1.81	2.33	1.81	2.40	1.81	2.54	1.79	2.66	1.75
23	1.90	1.58	2.09	1.69	2.24	1.79	2.31	1.79	2.37	1.79	2.51	1.77	2.63	1.73
24	1.87	1.57	2.07	1.67	2.22	1.77	2.28	1.77	2.35	1.77	2.49	1.75	2.60	1.71
25	1.85	1.55	2.05	1.65	2.19	1.75	2.26	1.75	2.32	1.75	2.46	1.73	2.57	1.69
26	1.83	1.53	2.02	1.63	2.17	1.73	2.23	1.73	2.29	1.73	2.43	1.71	2.54	1.67
27	1.81	1.51	2.00	1.61	2.14	1.71	2.21	1.71	2.27	1.71	2.40	1.69	2.51	1.65
28	1.79	1.50	1.98	1.59	2.12	1.69	2.18	1.69	2.24	1.69	2.37	1.67	2.48	1.63
29	1.77	1.48	1.95	1.57	2.09	1.67	2.15	1.67	2.22	1.67	2.35	1.65	2.45	1.61
30	1.75	1.46	1.93	1.56	2.07	1.65	2.13	1.65	2.19	1.65	2.32	1.63	2.42	1.59
31	1.73	1.44	1.91	1.54	2.04	1.63	2.10	1.63	2.16	1.63	2.29	1.61	2.40	1.57
32	1.71	1.43	1.88	1.52	2.02	1.61	2.08	1.61	2.14	1.61	2.26	1.59	2.37	1.55
33	1.68	1.41	1.86	1.50	1.99	1.59	2.05	1.59	2.11	1.59	2.23	1.57	2.34	1.54
34	1.66	1.39	1.84	1.48	1.97	1.57	2.03	1.57	2.08	1.57	2.21	1.55	2.31	1.52
35	1.64	1.37	1.81	1.46	1.94	1.55	2.00	1.55	2.06	1.55	2.18	1.53	2.28	1.50
36	1.62	1.36	1.79	1.44	1.92	1.53	1.97	1.53	2.03	1.53	2.15	1.51	2.25	1.48
37	1.60	1.34	1.77	1.42	1.89	1.51	1.95	1.51	2.00	1.51	2.12	1.49	2.22	1.46
38	1.58	1.32	1.74	1.41	1.87	1.49	1.92	1.49	1.98	1.49	2.09	1.47	2.19	1.44
39	1.56	1.30	1.72	1.39	1.84	1.47	1.90	1.47	1.95	1.47	2.07	1.45	2.16	1.42
40	1.54	1.28	1.70	1.37	1.82	1.45	1.87	1.45	1.93	1.45	2.04	1.43	2.13	1.40
41	1.52	1.27	1.67	1.35	1.79	1.43	1.85	1.43	1.90	1.43	2.01	1.41	2.10	1.38
42	1.50	1.25	1.65	1.33	1.77	1.41	1.82	1.41	1.87	1.41	1.98	1.39	2.07	1.36
43	1.47	1.23	1.63	1.31	1.74	1.39	1.79	1.39	1.85	1.39	1.95	1.37	2.04	1.34
44	1.45	1.21	1.60	1.29	1.72	1.37	1.77	1.37	1.82	1.37	1.93	1.35	2.02	1.32
45	1.43	1.20	1.58	1.27	1.69	1.35	1.74	1.35	1.79	1.35	1.90	1.33	1.99	1.30
46	1.41	1.18	1.56	1.26	1.67	1.33	1.72	1.33	1.77	1.33	1.87	1.31	1.96	1.29

TC : Total Capacity [kW]

SHC : Sensible Heat Capacity [kW]

Product models : RAS-B10J2KVG-E / RAS-10J2AVG-E
 RAS-B10J2KVG-UA / RAS-10J2AVG-UA
 RAS-10J2KVG-TR / RAS-10J2AVG-TR

Specification of product at standard condition

Standard Condition	Indoor	27°C (DB) / 19°C (WB)	Total Cooling Capacity (TC)	2.50 kW
	Outdoor	35°C (DB) / 24°C (WB)	Sensible Heat Capacity (SHC)	2.00 kW

Outdoor air temperature DB (°C)	Indoor air temperature													
	20.0°C (DB) 14.0°C (WB)		23.0°C (DB) 16.0°C (WB)		26.0°C (DB) 18.0°C (WB)		27.0°C (DB) 19.0°C (WB)		28.0°C (DB) 20.0°C (WB)		30.0°C (DB) 22.0°C (WB)		32.0°C (DB) 24.0°C (WB)	
	TC	SHC	TC	SHC	TC	SHC	TC	SHC	TC	SHC	TC	SHC	TC	SHC
20	2.45	2.11	2.70	2.25	2.90	2.39	2.98	2.39	3.07	2.38	3.25	2.36	3.40	2.32
21	2.42	2.09	2.68	2.22	2.86	2.36	2.95	2.36	3.03	2.36	3.21	2.34	3.36	2.29
22	2.40	2.06	2.65	2.20	2.83	2.34	2.92	2.33	3.00	2.33	3.18	2.31	3.32	2.27
23	2.37	2.04	2.62	2.17	2.80	2.31	2.89	2.31	2.97	2.31	3.14	2.29	3.29	2.24
24	2.34	2.02	2.59	2.15	2.77	2.29	2.85	2.28	2.93	2.28	3.11	2.26	3.25	2.22
25	2.32	1.99	2.56	2.13	2.74	2.26	2.82	2.26	2.90	2.26	3.07	2.23	3.21	2.19
26	2.29	1.97	2.53	2.10	2.71	2.23	2.79	2.23	2.87	2.23	3.04	2.21	3.18	2.17
27	2.26	1.95	2.50	2.08	2.68	2.21	2.76	2.21	2.84	2.20	3.00	2.18	3.14	2.14
28	2.24	1.93	2.47	2.05	2.65	2.18	2.72	2.18	2.80	2.18	2.97	2.16	3.10	2.12
29	2.21	1.90	2.44	2.03	2.62	2.16	2.69	2.15	2.77	2.15	2.93	2.13	3.07	2.09
30	2.19	1.88	2.41	2.01	2.58	2.13	2.66	2.13	2.74	2.13	2.90	2.11	3.03	2.07
31	2.16	1.86	2.38	1.98	2.55	2.11	2.63	2.10	2.70	2.10	2.86	2.08	2.99	2.04
32	2.13	1.84	2.36	1.96	2.52	2.08	2.60	2.08	2.67	2.08	2.83	2.06	2.96	2.02
33	2.11	1.81	2.33	1.93	2.49	2.05	2.56	2.05	2.64	2.05	2.79	2.03	2.92	1.99
34	2.08	1.79	2.30	1.91	2.46	2.03	2.53	2.03	2.60	2.02	2.76	2.01	2.88	1.97
35	2.05	1.77	2.27	1.88	2.43	2.00	2.50	2.00	2.57	2.00	2.72	1.98	2.85	1.94
36	2.03	1.74	2.24	1.86	2.40	1.98	2.47	1.97	2.54	1.97	2.69	1.95	2.81	1.92
37	2.00	1.72	2.21	1.84	2.37	1.95	2.44	1.95	2.51	1.95	2.65	1.93	2.78	1.89
38	1.97	1.70	2.18	1.81	2.34	1.93	2.40	1.92	2.47	1.92	2.62	1.90	2.74	1.87
39	1.95	1.68	2.15	1.79	2.30	1.90	2.37	1.90	2.44	1.90	2.58	1.88	2.70	1.84
40	1.92	1.65	2.12	1.76	2.27	1.87	2.34	1.87	2.41	1.87	2.55	1.85	2.67	1.82
41	1.90	1.63	2.09	1.74	2.24	1.85	2.31	1.85	2.37	1.84	2.51	1.83	2.63	1.79
42	1.87	1.61	2.06	1.72	2.21	1.82	2.28	1.82	2.34	1.82	2.48	1.80	2.59	1.77
43	1.84	1.59	2.03	1.69	2.18	1.80	2.24	1.79	2.31	1.79	2.44	1.78	2.56	1.74
44	1.82	1.56	2.01	1.67	2.15	1.77	2.21	1.77	2.27	1.77	2.41	1.75	2.52	1.72
45	1.79	1.54	1.98	1.64	2.12	1.75	2.18	1.74	2.24	1.74	2.37	1.73	2.48	1.69
46	1.76	1.52	1.95	1.62	2.09	1.72	2.15	1.72	2.21	1.72	2.34	1.70	2.45	1.67

TC : Total Capacity [kW]

SHC : Sensible Heat Capacity [kW]

Product models : RAS-B13J2KVG-E / RAS-13J2AVG-E
 RAS-B13J2KVG-UA / RAS-13J2AVG-UA
 RAS-13J2KVG-TR / RAS-13J2AVG-TR

Specification of product at standard condition

Standard Condition	Indoor	27°C (DB) / 19°C (WB)	Total Cooling Capacity (TC)	3.30 kW
	Outdoor	35°C (DB) / 24°C (WB)	Sensible Heat Capacity (SHC)	2.55 kW

Outdoor air temperature DB (°C)	Indoor air temperature													
	20.0°C (DB) 14.0°C (WB)		23.0°C (DB) 16.0°C (WB)		26.0°C (DB) 18.0°C (WB)		27.0°C (DB) 19.0°C (WB)		28.0°C (DB) 20.0°C (WB)		30.0°C (DB) 22.0°C (WB)		32.0°C (DB) 24.0°C (WB)	
	TC	SHC	TC	SHC	TC	SHC	TC	SHC	TC	SHC	TC	SHC	TC	SHC
20	3.23	2.69	3.57	2.87	3.82	3.05	3.94	3.04	4.05	3.04	4.29	3.00	4.48	2.93
21	3.20	2.67	3.53	2.84	3.78	3.02	3.89	3.01	4.00	3.00	4.24	2.97	4.44	2.90
22	3.16	2.64	3.49	2.81	3.74	2.98	3.85	2.98	3.96	2.97	4.19	2.94	4.39	2.87
23	3.13	2.61	3.45	2.78	3.70	2.95	3.81	2.94	3.92	2.94	4.15	2.90	4.34	2.84
24	3.09	2.58	3.42	2.75	3.66	2.92	3.77	2.91	3.87	2.91	4.10	2.87	4.29	2.81
25	3.06	2.55	3.38	2.71	3.62	2.89	3.72	2.88	3.83	2.87	4.06	2.84	4.24	2.78
26	3.02	2.52	3.34	2.68	3.58	2.85	3.68	2.84	3.79	2.84	4.01	2.81	4.19	2.75
27	2.99	2.49	3.30	2.65	3.53	2.82	3.64	2.81	3.74	2.81	3.96	2.77	4.15	2.71
28	2.95	2.46	3.26	2.62	3.49	2.79	3.60	2.78	3.70	2.77	3.92	2.74	4.10	2.68
29	2.92	2.43	3.22	2.59	3.45	2.75	3.55	2.75	3.66	2.74	3.87	2.71	4.05	2.65
30	2.88	2.40	3.19	2.56	3.41	2.72	3.51	2.71	3.61	2.71	3.83	2.68	4.00	2.62
31	2.85	2.38	3.15	2.53	3.37	2.69	3.47	2.68	3.57	2.68	3.78	2.65	3.95	2.59
32	2.81	2.35	3.11	2.50	3.33	2.66	3.43	2.65	3.53	2.64	3.73	2.61	3.90	2.56
33	2.78	2.32	3.07	2.47	3.29	2.62	3.38	2.62	3.48	2.61	3.69	2.58	3.86	2.52
34	2.75	2.29	3.03	2.44	3.25	2.59	3.34	2.58	3.44	2.58	3.64	2.55	3.81	2.49
35	2.71	2.26	2.99	2.41	3.21	2.56	3.30	2.55	3.39	2.55	3.59	2.52	3.76	2.46
36	2.68	2.23	2.96	2.38	3.16	2.52	3.26	2.52	3.35	2.51	3.55	2.48	3.71	2.43
37	2.64	2.20	2.92	2.34	3.12	2.49	3.22	2.48	3.31	2.48	3.50	2.45	3.66	2.40
38	2.61	2.17	2.88	2.31	3.08	2.46	3.17	2.45	3.26	2.45	3.46	2.42	3.61	2.37
39	2.57	2.14	2.84	2.28	3.04	2.43	3.13	2.42	3.22	2.42	3.41	2.39	3.57	2.33
40	2.54	2.11	2.80	2.25	3.00	2.39	3.09	2.39	3.18	2.38	3.36	2.35	3.52	2.30
41	2.50	2.09	2.76	2.22	2.96	2.36	3.05	2.35	3.13	2.35	3.32	2.32	3.47	2.27
42	2.47	2.06	2.72	2.19	2.92	2.33	3.00	2.32	3.09	2.32	3.27	2.29	3.42	2.24
43	2.43	2.03	2.69	2.16	2.88	2.29	2.96	2.29	3.05	2.28	3.23	2.26	3.37	2.21
44	2.40	2.00	2.65	2.13	2.84	2.26	2.92	2.26	3.00	2.25	3.18	2.23	3.33	2.18
45	2.36	1.97	2.61	2.10	2.79	2.23	2.88	2.22	2.96	2.22	3.13	2.19	3.28	2.15
46	2.33	1.94	2.57	2.07	2.75	2.20	2.83	2.19	2.92	2.19	3.09	2.16	3.23	2.11

TC : Total Capacity [kW]

SHC : Sensible Heat Capacity [kW]

Product models : RAS-B16J2KVG-E / RAS-16J2AVG-E
 RAS-B16J2KVG-UA / RAS-16J2AVG-UA
 RAS-16J2KVG-TR / RAS-16J2AVG-TR

Specification of product at standard condition

Standard Condition	Indoor	27°C (DB) / 19°C (WB)	Total Cooling Capacity (TC)	4.20 kW
	Outdoor	35°C (DB) / 24°C (WB)	Sensible Heat Capacity (SHC)	3.20 kW

Outdoor air temperature DB (°C)	Indoor air temperature													
	20.0°C (DB) 14.0°C (WB)		23.0°C (DB) 16.0°C (WB)		26.0°C (DB) 18.0°C (WB)		27.0°C (DB) 19.0°C (WB)		28.0°C (DB) 20.0°C (WB)		30.0°C (DB) 22.0°C (WB)		32.0°C (DB) 24.0°C (WB)	
	TC	SHC	TC	SHC	TC	SHC	TC	SHC	TC	SHC	TC	SHC	TC	SHC
20	4.11	3.38	4.54	3.60	4.87	3.83	5.01	3.82	5.15	3.81	5.46	3.76	5.71	3.67
21	4.07	3.35	4.49	3.56	4.81	3.79	4.95	3.77	5.10	3.77	5.40	3.72	5.64	3.63
22	4.03	3.31	4.45	3.52	4.76	3.75	4.90	3.73	5.04	3.73	5.34	3.68	5.58	3.59
23	3.98	3.28	4.40	3.49	4.71	3.70	4.85	3.69	4.99	3.69	5.28	3.64	5.52	3.56
24	3.94	3.24	4.35	3.45	4.66	3.66	4.79	3.65	4.93	3.64	5.22	3.60	5.46	3.52
25	3.89	3.20	4.30	3.41	4.60	3.62	4.74	3.61	4.87	3.60	5.16	3.56	5.40	3.48
26	3.85	3.17	4.25	3.37	4.55	3.58	4.69	3.57	4.82	3.56	5.10	3.52	5.34	3.44
27	3.80	3.13	4.20	3.33	4.50	3.54	4.63	3.53	4.76	3.52	5.04	3.48	5.28	3.40
28	3.76	3.09	4.15	3.29	4.45	3.50	4.58	3.49	4.71	3.48	4.99	3.44	5.21	3.36
29	3.72	3.06	4.10	3.25	4.39	3.46	4.52	3.45	4.65	3.44	4.93	3.40	5.15	3.32
30	3.67	3.02	4.05	3.21	4.34	3.42	4.47	3.41	4.60	3.40	4.87	3.35	5.09	3.28
31	3.63	2.98	4.01	3.18	4.29	3.38	4.42	3.36	4.54	3.36	4.81	3.31	5.03	3.24
32	3.58	2.95	3.96	3.14	4.24	3.33	4.36	3.32	4.49	3.32	4.75	3.27	4.97	3.20
33	3.54	2.91	3.91	3.10	4.18	3.29	4.31	3.28	4.43	3.28	4.69	3.23	4.91	3.16
34	3.49	2.87	3.86	3.06	4.13	3.25	4.25	3.24	4.38	3.23	4.63	3.19	4.85	3.12
35	3.45	2.84	3.81	3.02	4.08	3.21	4.20	3.20	4.32	3.19	4.58	3.15	4.79	3.08
36	3.41	2.80	3.76	2.98	4.03	3.17	4.15	3.16	4.26	3.15	4.52	3.11	4.72	3.04
37	3.36	2.77	3.71	2.94	3.98	3.13	4.09	3.12	4.21	3.11	4.46	3.07	4.66	3.00
38	3.32	2.73	3.66	2.90	3.92	3.09	4.04	3.08	4.15	3.07	4.40	3.03	4.60	2.96
39	3.27	2.69	3.61	2.87	3.87	3.05	3.98	3.04	4.10	3.03	4.34	2.99	4.54	2.92
40	3.23	2.66	3.57	2.83	3.82	3.00	3.93	2.99	4.04	2.99	4.28	2.95	4.48	2.88
41	3.18	2.62	3.52	2.79	3.77	2.96	3.88	2.95	3.99	2.95	4.22	2.91	4.42	2.84
42	3.14	2.58	3.47	2.75	3.71	2.92	3.82	2.91	3.93	2.91	4.16	2.87	4.36	2.80
43	3.10	2.55	3.42	2.71	3.66	2.88	3.77	2.87	3.88	2.87	4.11	2.83	4.29	2.76
44	3.05	2.51	3.37	2.67	3.61	2.84	3.71	2.83	3.82	2.82	4.05	2.79	4.23	2.72
45	3.01	2.47	3.32	2.63	3.56	2.80	3.66	2.79	3.77	2.78	3.99	2.75	4.17	2.69
46	2.96	2.44	3.27	2.59	3.50	2.76	3.61	2.75	3.71	2.74	3.93	2.71	4.11	2.65

TC : Total Capacity [kW]

SHC : Sensible Heat Capacity [kW]

Product models : RAS-18J2KVG-E / RAS-18J2AVG-E
 RAS-18J2KVG-UA / RAS-18J2AVG-UA
 RAS-18J2KVG-TR / RAS-18J2AVG-TR

Specification of product at standard condition

Standard Condition	Indoor	27°C (DB) / 19°C (WB)	Total Cooling Capacity (TC)	5.00 kW
	Outdoor	35°C (DB) / 24°C (WB)	Sensible Heat Capacity (SHC)	3.50 kW

Outdoor air temperature DB (°C)	Indoor air temperature													
	20.0°C (DB) 14.0°C (WB)		23.0°C (DB) 16.0°C (WB)		26.0°C (DB) 18.0°C (WB)		27.0°C (DB) 19.0°C (WB)		28.0°C (DB) 20.0°C (WB)		30.0°C (DB) 22.0°C (WB)		32.0°C (DB) 24.0°C (WB)	
	TC	SHC	TC	SHC	TC	SHC	TC	SHC	TC	SHC	TC	SHC	TC	SHC
20	4.90	3.73	5.41	3.95	5.79	4.20	5.96	4.17	6.13	4.15	6.49	4.07	6.79	3.95
21	4.84	3.69	5.35	3.91	5.73	4.15	5.90	4.13	6.07	4.11	6.43	4.03	6.72	3.91
22	4.79	3.65	5.29	3.87	5.67	4.11	5.83	4.08	6.00	4.06	6.36	3.99	6.65	3.87
23	4.74	3.61	5.23	3.83	5.60	4.06	5.77	4.04	5.94	4.02	6.29	3.94	6.57	3.83
24	4.69	3.57	5.18	3.78	5.54	4.02	5.71	3.99	5.87	3.98	6.22	3.90	6.50	3.78
25	4.63	3.53	5.12	3.74	5.48	3.97	5.64	3.95	5.80	3.93	6.15	3.85	6.43	3.74
26	4.58	3.49	5.06	3.70	5.42	3.93	5.58	3.90	5.74	3.89	6.08	3.81	6.35	3.70
27	4.53	3.45	5.00	3.66	5.36	3.88	5.51	3.86	5.67	3.84	6.01	3.77	6.28	3.66
28	4.48	3.41	4.94	3.61	5.29	3.84	5.45	3.81	5.61	3.80	5.94	3.72	6.21	3.61
29	4.42	3.37	4.88	3.57	5.23	3.79	5.39	3.77	5.54	3.75	5.87	3.68	6.14	3.57
30	4.37	3.33	4.83	3.53	5.17	3.75	5.32	3.72	5.47	3.71	5.80	3.64	6.06	3.53
31	4.32	3.29	4.77	3.49	5.11	3.70	5.26	3.68	5.41	3.66	5.73	3.59	5.99	3.48
32	4.27	3.24	4.71	3.44	5.04	3.66	5.19	3.63	5.34	3.62	5.66	3.55	5.92	3.44
33	4.21	3.20	4.65	3.40	4.98	3.61	5.13	3.59	5.28	3.57	5.59	3.50	5.84	3.40
34	4.16	3.16	4.59	3.36	4.92	3.57	5.06	3.54	5.21	3.53	5.52	3.46	5.77	3.36
35	4.11	3.12	4.54	3.32	4.86	3.52	5.00	3.50	5.14	3.48	5.45	3.42	5.70	3.31
36	4.05	3.08	4.48	3.27	4.79	3.48	4.94	3.46	5.08	3.44	5.38	3.37	5.62	3.27
37	4.00	3.04	4.42	3.23	4.73	3.43	4.87	3.41	5.01	3.39	5.31	3.33	5.55	3.23
38	3.95	3.00	4.36	3.19	4.67	3.39	4.81	3.37	4.94	3.35	5.24	3.28	5.48	3.19
39	3.90	2.96	4.30	3.15	4.61	3.34	4.74	3.32	4.88	3.30	5.17	3.24	5.40	3.14
40	3.84	2.92	4.24	3.10	4.55	3.30	4.68	3.28	4.81	3.26	5.10	3.20	5.33	3.10
41	3.79	2.88	4.19	3.06	4.48	3.25	4.62	3.23	4.75	3.22	5.03	3.15	5.26	3.06
42	3.74	2.84	4.13	3.02	4.42	3.20	4.55	3.19	4.68	3.17	4.96	3.11	5.18	3.02
43	3.69	2.80	4.07	2.98	4.36	3.16	4.49	3.14	4.61	3.13	4.89	3.07	5.11	2.97
44	3.63	2.76	4.01	2.93	4.30	3.11	4.42	3.10	4.55	3.08	4.82	3.02	5.04	2.93
45	3.58	2.72	3.95	2.89	4.23	3.07	4.36	3.05	4.48	3.04	4.75	2.98	4.97	2.89
46	3.53	2.68	3.90	2.85	4.17	3.02	4.29	3.01	4.42	2.99	4.68	2.93	4.89	2.85

TC : Total Capacity [kW]

SHC : Sensible Heat Capacity [kW]

Product models : RAS-24J2KVG-E / RAS-24J2AVG-E
 RAS-24J2KVG-UA / RAS-24J2AVG-UA
 RAS-24J2KVG-TR / RAS-24J2AVG-TR

Specification of product at standard condition

Standard Condition	Indoor	27°C (DB) / 19°C (WB)	Total Cooling Capacity (TC)	6.50 kW
	Outdoor	35°C (DB) / 24°C (WB)	Sensible Heat Capacity (SHC)	4.30 kW

Outdoor air temperature DB (°C)	Indoor air temperature													
	20.0°C (DB) 14.0°C (WB)		23.0°C (DB) 16.0°C (WB)		26.0°C (DB) 18.0°C (WB)		27.0°C (DB) 19.0°C (WB)		28.0°C (DB) 20.0°C (WB)		30.0°C (DB) 22.0°C (WB)		32.0°C (DB) 24.0°C (WB)	
	TC	SHC	TC	SHC	TC	SHC	TC	SHC	TC	SHC	TC	SHC	TC	SHC
20	6.37	4.60	7.03	4.87	7.53	5.17	7.75	5.13	7.97	5.09	8.44	4.97	8.83	4.80
21	6.30	4.55	6.96	4.82	7.45	5.11	7.67	5.07	7.89	5.04	8.35	4.92	8.74	4.75
22	6.23	4.50	6.88	4.76	7.37	5.06	7.58	5.02	7.80	4.98	8.26	4.86	8.64	4.70
23	6.16	4.45	6.80	4.71	7.29	5.00	7.50	4.96	7.72	4.93	8.17	4.81	8.55	4.64
24	6.09	4.40	6.73	4.66	7.21	4.95	7.42	4.91	7.63	4.87	8.08	4.76	8.45	4.59
25	6.02	4.35	6.65	4.61	7.12	4.89	7.33	4.85	7.54	4.82	7.99	4.70	8.36	4.54
26	5.96	4.30	6.58	4.55	7.04	4.84	7.25	4.80	7.46	4.76	7.90	4.65	8.26	4.49
27	5.89	4.25	6.50	4.50	6.96	4.78	7.17	4.74	7.37	4.71	7.81	4.60	8.17	4.44
28	5.82	4.20	6.43	4.45	6.88	4.72	7.08	4.69	7.29	4.65	7.72	4.54	8.07	4.39
29	5.75	4.15	6.35	4.40	6.80	4.67	7.00	4.63	7.20	4.60	7.63	4.49	7.98	4.33
30	5.68	4.10	6.27	4.35	6.72	4.61	6.92	4.58	7.11	4.55	7.53	4.44	7.88	4.28
31	5.61	4.05	6.20	4.29	6.64	4.56	6.83	4.52	7.03	4.49	7.44	4.38	7.79	4.23
32	5.54	4.01	6.12	4.24	6.56	4.50	6.75	4.47	6.94	4.44	7.35	4.33	7.69	4.18
33	5.48	3.96	6.05	4.19	6.48	4.45	6.67	4.41	6.86	4.38	7.26	4.28	7.60	4.13
34	5.41	3.91	5.97	4.14	6.40	4.39	6.58	4.36	6.77	4.33	7.17	4.22	7.50	4.08
35	5.34	3.86	5.90	4.08	6.31	4.33	6.50	4.30	6.69	4.27	7.08	4.17	7.41	4.02
36	5.27	3.81	5.82	4.03	6.23	4.28	6.42	4.24	6.60	4.22	6.99	4.12	7.31	3.97
37	5.20	3.76	5.74	3.98	6.15	4.22	6.33	4.19	6.51	4.16	6.90	4.06	7.22	3.92
38	5.13	3.71	5.67	3.93	6.07	4.17	6.25	4.13	6.43	4.11	6.81	4.01	7.12	3.87
39	5.07	3.66	5.59	3.87	5.99	4.11	6.17	4.08	6.34	4.05	6.72	3.95	7.03	3.82
40	5.00	3.61	5.52	3.82	5.91	4.06	6.08	4.02	6.26	4.00	6.63	3.90	6.93	3.77
41	4.93	3.56	5.44	3.77	5.83	4.00	6.00	3.97	6.17	3.94	6.54	3.85	6.84	3.71
42	4.86	3.51	5.37	3.72	5.75	3.95	5.92	3.91	6.09	3.89	6.44	3.79	6.74	3.66
43	4.79	3.46	5.29	3.66	5.67	3.89	5.83	3.86	6.00	3.83	6.35	3.74	6.65	3.61
44	4.69	3.39	5.18	3.58	5.54	3.81	5.71	3.77	5.87	3.75	6.22	3.66	6.50	3.53
45	4.41	3.18	4.87	3.37	5.21	3.58	5.37	3.55	5.52	3.53	5.84	3.44	6.11	3.32
46	4.29	3.10	4.74	3.28	5.07	3.48	5.22	3.45	5.37	3.43	5.69	3.35	5.95	3.23

TC : Total Capacity [kW]

SHC : Sensible Heat Capacity [kW]

9. Part Load Performance

Indoor: RAS-B05J2KVG-E/UA, RAS-05J2KVG-TR

Outdoor: RAS-05J2AVG-E/UA/TR

Operation range	Cooling		Heating	
	Q	P	Q	P
MINIMUM	W 750	220	900	190
RATING	W 1500	370	2000	470
MAXIMUM	W 2000	600	3000	730

Cooling

Outdoor Temperature DB (°C)	Parts Load (%)																					
	100		90		80		70		60		50		40		30		20		10			
	Q	P	Q	P	Q	P	Q	P	Q	P	Q	P	Q	P	Q	P	Q	P	Q	P		
20	1789	290	1610	267	1431	243	1252	220	1073	196	894	173	894	173	894	173	894	173	894	173	894	173
21	1770	296	1593	272	1416	248	1239	224	1062	200	885	176	885	176	885	176	885	176	885	176	885	176
22	1750	301	1575	277	1400	252	1225	228	1050	203	875	179	875	179	875	179	875	179	875	179	875	179
23	1731	306	1558	282	1385	257	1212	232	1039	207	866	182	866	182	866	182	866	182	866	182	866	182
24	1712	312	1541	286	1369	261	1198	236	1027	211	856	185	856	185	856	185	856	185	856	185	856	185
25	1693	317	1523	291	1354	266	1185	240	1016	214	846	188	846	188	846	188	846	188	846	188	846	188
26	1673	322	1506	296	1339	270	1171	244	1004	218	837	192	837	192	837	192	837	192	837	192	837	192
27	1654	328	1489	301	1323	274	1158	248	992	221	827	195	827	195	827	195	827	195	827	195	827	195
28	1635	333	1471	306	1308	279	1144	252	981	225	817	198	817	198	817	198	817	198	817	198	817	198
29	1616	338	1454	311	1292	283	1131	256	969	229	808	201	808	201	808	201	808	201	808	201	808	201
30	1596	343	1437	316	1277	288	1117	260	958	232	798	204	798	204	798	204	798	204	798	204	798	204
31	1577	349	1419	321	1262	292	1104	264	946	236	789	207	789	207	789	207	789	207	789	207	789	207
32	1558	354	1402	325	1246	297	1090	268	935	239	779	211	779	211	779	211	779	211	779	211	779	211
33	1539	359	1385	330	1231	301	1077	272	923	243	769	214	769	214	769	214	769	214	769	214	769	214
34	1519	365	1367	335	1215	306	1063	276	912	246	760	217	760	217	760	217	760	217	760	217	760	217
35	1500	370	1350	340	1200	310	1050	280	900	250	750	220	750	220	750	220	750	220	750	220	750	220
36	1481	375	1333	345	1185	314	1037	284	888	254	740	223	740	223	740	223	740	223	740	223	740	223
37	1462	381	1315	350	1169	319	1023	288	877	257	731	226	731	226	731	226	731	226	731	226	731	226
38	1442	386	1298	355	1154	323	1010	292	865	261	721	229	721	229	721	229	721	229	721	229	721	229
39	1423	391	1281	359	1138	328	996	296	854	264	712	233	712	233	712	233	712	233	712	233	712	233
40	1404	397	1263	364	1123	332	983	300	842	268	702	236	702	236	702	236	702	236	702	236	702	236
41	1385	402	1246	369	1108	337	969	304	831	272	692	239	692	239	692	239	692	239	692	239	692	239
42	1365	407	1229	374	1092	341	956	308	819	275	683	242	683	242	683	242	683	242	683	242	683	242
43	1346	412	1211	379	1077	346	942	312	808	279	673	245	673	245	673	245	673	245	673	245	673	245
44	1327	418	1194	384	1061	350	929	316	796	282	663	248	663	248	663	248	663	248	663	248	663	248
45	1308	423	1177	389	1046	354	915	320	785	286	654	252	654	252	654	252	654	252	654	252	654	252
46	1288	428	1159	394	1031	359	902	324	773	289	644	255	644	255	644	255	644	255	644	255	644	255

Heating

Outdoor Temperature DB (°C)	Parts Load (%)																					
	100		90		80		70		60		50		40		30		20		10			
	Q	P	Q	P	Q	P	Q	P	Q	P	Q	P	Q	P	Q	P	Q	P	Q	P		
-15	803	324	723	289	643	254	562	219	482	184	402	149	361	131	361	131	361	131	361	131	361	131
-14	848	330	763	294	678	258	593	222	509	187	424	151	382	133	382	133	382	133	382	133	382	133
-13	892	335	803	299	714	262	625	226	535	190	446	154	402	135	402	135	402	135	402	135	402	135
-12	937	340	843	303	749	266	656	230	562	193	468	156	422	138	422	138	422	138	422	138	422	138
-11	981	345	883	308	785	271	687	233	589	196	491	158	442	140	442	140	442	140	442	140	442	140
-10	1026	351	923	313	821	275	718	237	616	199	513	161	462	142	462	142	462	142	462	142	462	142
-9	1070	356	963	317	856	279	749	240	642	202	535	163	482	144	482	144	482	144	482	144	482	144
-8	1115	361	1003	322	892	283	780	244	669	205	557	166	502	146	502	146	502	146	502	146	502	146
-7	1159	367	1043	327	928	287	812	247	696	208	580	168	522	148	522	148	522	148	522	148	522	148
-6	1192	372	1072	332	953	291	834	251	715	211	596	171	536	150	536	150	536	150	536	150	536	150
-5	1224	378	1101	337	979	296	857	255	734	214	612	173	551	153	551	153	551	153	551	153	551	153
-4	1256	383	1130	342	1005	300	879	259	754	217	628	176	565	155	565	155	565	155	565	155	565	155
-3	1288	389	1159	346	1031	304	902	262	773	220	644	178	580	157	580	157	580	157	580	157	580	157
-2	1320	394	1188	351	1056	309	924	266	792	223	660	181	594	159	594	159	594	159	594	159	594	159
-1	1353	399	1217	356	1082	313	947	270	812	226	676	183	609	161	609	161	609	161	609	161	609	161
0	1385	405	1246	361	1108	317	969	273	831	230	692	186	623	164	623	164	623	164	623	164	623	164
1	1417	410	1275	366	1134	322	992	277	850	233	709	188	638	166	638	166	638	166	638	166	638	166
2	1449	416	1304	371	1159	326	1014	281	870	236	725	191	652	168	652	168	652	168	652	168	652	168
3	1473	422	1326	376	1178	330	1031	285	884	239	737	193	663	170	663	170	663	170	663	170	663	170
4	1497	427	1347	381	1197	335	1048	288	898	242	748	196	674	173	674	173	674	173	674	173	674	173
5	1520	433	1368	386	1216	339	1064	292	912	245	760	198	684	175	684	175	684	175	684	175	684	175
6	1948	463	1754	413	1559	362	1364	312	1169	262	974	212	877	187	877	187	877	187	877	187	877	187
7	2000	470	1800	419	1600	368	1400	317	1200	266	1000	215	900	190	900	190	900	190	900	190	900	190
8	2052	477	1846	426	1641	374	1436	322	1231	270	1026	219	923	193	923	193	923	193	923	193	923	193
9	2103	485	1893	432	1683	380	1472	327	1262	275	1052	222	946	196	946	196	946	196	946	196	946	196
10	2155	492	1939	439	1724	385	1508	332	1293	279	1077	225	970	199	970	199	970	199	970	199	970	199
11	2206	499	1986	445	1765	391	1545	337	1324	283	1103	229	993	202	993	202	993	202	993	202	993	202
12	2258	506	2032	452	1806	397	1581	342	1355	287	1129	232	1016	205	1016	205	1016	205	1016	205	1016	205
13	2310	514	2079	458	1848	402	1617	347	1386	291	1155	235	1039	208	1039	208	1039	208	1039	208	1039	208
14	2361	521	2125	465	1889	408	1653	352	1417	295	1181	239	1063	211	1063	211	1063	211	1063	211	1063	211
15	2413	528	2172	471	1930	414	1689	357	1448	299	1206	242	1086	214	1086	214	1086	214	1086	214		

Indoor: RAS-B07J2KVG-E/UA, RAS-07J2KVG-TR

Outdoor: RAS-07J2AVG-E/UA/TR

Operation range	Cooling		Heating	
	Q	P	Q	P
MINIMUM	W 760	220	920	190
RATING	W 2000	530	2500	640
MAXIMUM	W 2600	830	3300	900

Cooling

Outdoor Temperature DB (°C)	Parts Load (%)																					
	100		90		80		70		60		50		40		30		20		10			
	Q	P	Q	P	Q	P	Q	P	Q	P	Q	P	Q	P	Q	P	Q	P	Q	P		
20	2385	416	2147	377	1908	338	1670	298	1431	259	1193	220	954	181	906	173	906	173	906	173	906	173
21	2359	424	2123	384	1887	344	1652	304	1416	264	1180	224	944	184	897	176	897	176	897	176	897	176
22	2334	431	2100	391	1867	350	1634	309	1400	269	1167	228	933	187	887	179	887	179	887	179	887	179
23	2308	439	2077	397	1846	356	1616	315	1385	273	1154	232	923	190	877	182	877	182	877	182	877	182
24	2282	446	2054	404	1826	362	1598	320	1369	278	1141	236	913	194	867	185	867	185	867	185	867	185
25	2257	454	2031	411	1805	368	1580	326	1354	283	1128	240	903	197	858	188	858	188	858	188	858	188
26	2231	462	2008	418	1785	375	1562	331	1339	287	1116	244	892	200	848	192	848	192	848	192	848	192
27	2205	469	1985	425	1764	381	1544	336	1323	292	1103	248	882	204	838	195	838	195	838	195	838	195
28	2180	477	1962	432	1744	387	1526	342	1308	297	1090	252	872	207	828	198	828	198	828	198	828	198
29	2154	484	1939	439	1723	393	1508	347	1292	302	1077	256	862	210	819	201	819	201	819	201	819	201
30	2128	492	1916	446	1703	399	1490	353	1277	306	1064	260	851	214	809	204	809	204	809	204	809	204
31	2103	500	1892	452	1682	405	1472	358	1262	311	1051	264	841	217	799	207	799	207	799	207	799	207
32	2077	507	1869	459	1662	412	1454	364	1246	316	1039	268	831	220	789	211	789	211	789	211	789	211
33	2051	515	1846	466	1641	418	1436	369	1231	321	1026	272	821	223	780	214	780	214	780	214	780	214
34	2026	522	1823	473	1621	424	1418	375	1215	325	1013	276	810	227	770	217	770	217	770	217	770	217
35	2000	530	1800	480	1600	430	1400	380	1200	330	1000	280	800	230	760	220	760	220	760	220	760	220
36	1974	538	1777	487	1579	436	1382	385	1185	335	987	284	790	233	750	223	750	223	750	223	750	223
37	1949	545	1754	494	1559	442	1364	391	1169	339	974	288	779	237	740	226	740	226	740	226	740	226
38	1923	553	1731	501	1538	448	1346	396	1154	344	962	292	769	240	731	229	731	229	731	229	731	229
39	1897	560	1708	508	1518	455	1328	402	1138	349	949	296	759	243	721	233	721	233	721	233	721	233
40	1872	568	1685	514	1497	461	1310	407	1123	354	936	300	749	246	711	236	711	236	711	236	711	236
41	1846	576	1661	521	1477	467	1292	413	1108	358	923	304	738	250	701	239	701	239	701	239	701	239
42	1820	583	1638	528	1456	473	1274	418	1092	363	910	308	728	253	692	242	692	242	692	242	692	242
43	1795	591	1615	535	1436	479	1256	424	1077	368	897	312	718	256	682	245	682	245	682	245	682	245
44	1769	598	1592	542	1415	485	1238	429	1061	373	885	316	708	260	672	248	672	248	672	248	672	248
45	1743	606	1569	549	1395	492	1220	434	1046	377	872	320	697	263	662	252	662	252	662	252	662	252
46	1718	614	1546	556	1374	498	1202	440	1031	382	859	324	687	266	653	255	653	255	653	255	653	255

Heating

Outdoor Temperature DB (°C)	Parts Load (%)																					
	100		90		80		70		60		50		40		30		20		10			
	Q	P	Q	P	Q	P	Q	P	Q	P	Q	P	Q	P	Q	P	Q	P	Q	P		
-15	1335	504	1201	448	1068	392	934	336	801	280	667	224	534	168	491	150	491	150	491	150	491	150
-14	1365	509	1228	453	1092	396	955	339	819	283	682	226	546	169	502	151	502	151	502	151	502	151
-13	1394	514	1255	457	1116	400	976	342	837	285	697	228	558	171	513	153	513	153	513	153	513	153
-12	1424	519	1282	461	1139	403	997	346	855	288	712	230	570	173	524	154	524	154	524	154	524	154
-11	1454	524	1309	465	1163	407	1018	349	872	291	727	232	582	174	535	155	535	155	535	155	535	155
-10	1484	529	1335	470	1187	411	1039	352	890	293	742	235	594	176	546	157	546	157	546	157	546	157
-9	1514	533	1362	474	1211	415	1060	355	908	296	757	237	605	177	557	158	557	158	557	158	557	158
-8	1543	538	1389	478	1235	418	1080	359	926	299	772	239	617	179	568	160	568	160	568	160	568	160
-7	1573	543	1416	483	1259	422	1101	362	944	301	787	241	629	181	579	161	579	161	579	161	579	161
-6	1600	546	1440	485	1280	424	1120	364	960	303	800	242	640	181	589	162	589	162	589	162	589	162
-5	1626	548	1464	487	1301	426	1138	365	976	304	813	243	650	182	598	163	598	163	598	163	598	163
-4	1653	551	1487	490	1322	428	1157	367	992	306	826	244	661	183	608	164	608	164	608	164	608	164
-3	1679	553	1511	492	1343	430	1175	369	1008	307	840	246	672	184	618	164	618	164	618	164	618	164
-2	1706	556	1535	494	1365	432	1194	370	1023	309	853	247	682	185	628	165	628	165	628	165	628	165
-1	1732	559	1559	496	1386	434	1212	372	1039	310	866	248	693	186	637	166	637	166	637	166	637	166
0	1759	561	1583	499	1407	436	1231	374	1055	311	879	249	703	187	647	167	647	167	647	167	647	167
1	1785	564	1607	501	1428	438	1250	376	1071	313	893	250	714	187	657	167	657	167	657	167	657	167
2	1812	566	1630	503	1449	440	1268	377	1087	314	906	251	725	188	667	168	667	168	667	168	667	168
3	1841	574	1657	510	1473	446	1289	382	1105	319	921	255	737	191	678	170	678	170	678	170	678	170
4	1871	582	1684	517	1497	452	1310	387	1123	323	935	258	748	193	689	173	689	173	689	173	689	173
5	1901	589	1711	524	1520	458	1330	393	1140	327	950	261	760	196	699	175	699	175	699	175	699	175
6	2435	630	2192	560	1948	490	1705	420	1461	350	1218	280	974	209	896	187	896	187	896	187	896	187
7	2500	640	2250	569	2000	498	1750	426	1500	355	1250	284	1000	213	920	190	920	190	920	190	920	190
8	2565	650	2308	578	2052	505	1795	433	1539	361	1282	288	1026	216	944	193	944	193	944	193	944	193
9	2629	660	2366	586	2103	513	1840	440	1577	366	1315	293	1052	219	967	196	967	196	967	196	967	196
10	2694	670	2424	595	2155	521	1885	446	1616	372	1347	297	1077	223	991	199	991	199	991	199	991	199
11	2758	680	2482	604	2206	528	1931	453	1655	377	1379	302	1103	226	1015	202	1015	202	1015	202	1015	202
12	2823	690	2540	613	2258	536	1976	459	1694	383	1411	306	1129	229	1039	205	1039	205	1039	205	1039	205
13	2887	699	2598	622	2310	544	2021	466	1732	388	1444	310	1155	233	1062	208	1062	208	1062	208	1062	208
14	2952	709	2656	630	2361	552	2066	473	1771	394	1476	315	1181	236	1086	211	1086	211	1086	211	1086	211
15	3016	719	2715	639	2413	559	2111	479	1810	399	1508	319	1206									

Indoor: RAS-B10J2KVG-E/UA, RAS-10J2KVG-TR

Outdoor: RAS-10J2A-E/UA/TR

Operation range		Cooling		Heating	
		Q	P	Q	P
MINIMUM	W	800	240	1000	200
RATING	W	2500	770	3200	860
MAXIMUM	W	3000	1000	3900	1110

Cooling

Outdoor Temperature DB (°C)	Parts Load (%)																			
	100		90		80		70		60		50		40		30		20		10	
	Q	P	Q	P	Q	P	Q	P	Q	P	Q	P	Q	P	Q	P	Q	P	Q	P
20	2981	604	2683	543	2385	482	2087	421	1789	360	1491	299	1193	237	954	188	954	188	954	188
21	2949	615	2654	553	2359	491	2064	429	1770	366	1475	304	1180	242	944	192	944	192	944	192
22	2917	627	2625	563	2334	500	2042	436	1750	373	1459	309	1167	246	933	195	933	195	933	195
23	2885	638	2597	573	2308	508	2020	444	1731	379	1443	315	1154	250	923	199	923	199	923	199
24	2853	649	2568	583	2282	517	1997	452	1712	386	1426	320	1141	255	913	202	913	202	913	202
25	2821	660	2539	593	2257	526	1975	459	1693	393	1410	326	1128	259	903	206	903	206	903	206
26	2789	671	2510	603	2231	535	1952	467	1673	399	1394	331	1116	263	892	209	892	209	892	209
27	2757	682	2481	613	2205	544	1930	475	1654	406	1378	337	1103	268	882	212	882	212	882	212
28	2725	693	2452	623	2180	553	1907	482	1635	412	1362	342	1090	272	872	216	872	216	872	216
29	2693	704	2423	633	2154	561	1885	490	1616	419	1346	348	1077	276	862	219	862	219	862	219
30	2660	715	2394	642	2128	570	1862	498	1596	425	1330	353	1064	281	851	223	851	223	851	223
31	2628	726	2366	652	2103	579	1840	505	1577	432	1314	358	1051	285	841	226	841	226	841	226
32	2596	737	2337	662	2077	588	1817	513	1558	439	1298	364	1039	289	831	230	831	230	831	230
33	2564	748	2308	672	2051	597	1795	521	1539	445	1282	369	1026	294	821	233	821	233	821	233
34	2532	759	2279	682	2026	605	1772	528	1519	452	1266	375	1013	298	810	237	810	237	810	237
35	2500	770	2250	692	2000	614	1750	536	1500	458	1250	380	1000	302	800	240	800	240	800	240
36	2468	781	2221	702	1974	623	1728	544	1481	465	1234	386	987	307	790	243	790	243	790	243
37	2436	792	2192	712	1949	632	1705	552	1462	471	1218	391	974	311	779	247	779	247	779	247
38	2404	803	2163	722	1923	641	1683	559	1442	478	1202	397	962	315	769	250	769	250	769	250
39	2372	814	2135	732	1897	649	1660	567	1423	485	1186	402	949	320	759	254	759	254	759	254
40	2340	825	2106	742	1872	658	1638	575	1404	491	1170	408	936	324	749	257	749	257	749	257
41	2308	836	2077	752	1846	667	1615	582	1385	498	1154	413	923	328	738	261	738	261	738	261
42	2275	847	2048	761	1820	676	1593	590	1365	504	1138	418	910	333	728	264	728	264	728	264
43	2243	858	2019	771	1795	685	1570	598	1346	511	1122	424	897	337	718	268	718	268	718	268
44	2211	869	1990	781	1769	693	1548	605	1327	517	1106	429	885	341	708	271	708	271	708	271
45	2179	880	1961	791	1743	702	1525	613	1308	524	1090	435	872	346	697	274	697	274	697	274
46	2147	891	1932	801	1718	711	1503	621	1288	530	1074	440	859	350	687	278	687	278	687	278

Heating

Outdoor Temperature DB (°C)	Parts Load (%)																			
	100		90		80		70		60		50		40		30		20		10	
	Q	P	Q	P	Q	P	Q	P	Q	P	Q	P	Q	P	Q	P	Q	P	Q	P
-15	1329	594	1197	527	1064	461	931	395	798	329	665	262	532	196	415	138	415	138	415	138
-14	1371	600	1234	533	1097	466	960	399	823	332	686	265	548	198	428	140	428	140	428	140
-13	1413	607	1271	539	1130	471	989	404	848	336	706	268	565	200	441	141	441	141	441	141
-12	1454	614	1309	545	1163	477	1018	408	872	340	727	271	582	203	454	143	454	143	454	143
-11	1496	620	1346	551	1197	482	1047	413	897	343	748	274	598	205	467	144	467	144	467	144
-10	1537	627	1383	557	1230	487	1076	417	922	347	769	277	615	207	480	146	480	146	480	146
-9	1579	634	1421	563	1263	492	1105	421	947	351	789	280	631	209	493	147	493	147	493	147
-8	1620	640	1458	569	1296	497	1134	426	972	354	810	283	648	211	506	149	506	149	506	149
-7	1662	647	1496	575	1329	502	1163	430	997	358	831	286	665	214	519	150	519	150	519	150
-6	1735	660	1561	586	1388	512	1214	439	1041	365	867	291	694	218	542	153	542	153	542	153
-5	1808	672	1627	597	1446	522	1265	447	1085	372	904	297	723	222	565	156	565	156	565	156
-4	1881	685	1693	608	1505	532	1317	456	1129	379	940	303	752	226	588	159	588	159	588	159
-3	1954	698	1758	620	1563	542	1368	464	1172	386	977	308	782	230	611	162	611	162	611	162
-2	2027	710	1824	631	1621	552	1419	472	1216	393	1013	314	811	235	633	165	633	165	633	165
-1	2100	723	1890	642	1680	562	1470	481	1260	400	1050	319	840	239	656	168	656	168	656	168
0	2173	736	1956	654	1738	571	1521	489	1304	407	1086	325	869	243	679	171	679	171	679	171
1	2246	748	2021	665	1797	581	1572	498	1348	414	1123	331	898	247	702	174	702	174	702	174
2	2319	761	2087	676	1855	591	1623	506	1391	421	1159	336	928	251	725	177	725	177	725	177
3	2357	771	2121	685	1885	599	1650	513	1414	427	1178	341	943	255	737	179	737	179	737	179
4	2395	782	2155	694	1916	607	1676	520	1437	433	1197	345	958	258	748	182	748	182	748	182
5	2433	792	2190	703	1946	615	1703	527	1460	438	1216	350	973	261	760	184	760	184	760	184
6	3117	847	2806	752	2494	658	2182	563	1870	469	1559	374	1247	280	974	197	974	197	974	197
7	3200	860	2880	764	2560	668	2240	572	1920	476	1600	380	1280	284	1000	200	1000	200	1000	200
8	3283	873	2954	776	2626	678	2298	581	1970	483	1641	386	1313	288	1026	203	1026	203	1026	203
9	3365	887	3029	788	2692	689	2356	590	2019	491	1683	392	1346	293	1052	206	1052	206	1052	206
10	3448	900	3103	799	2758	699	2413	599	2069	498	1724	398	1379	297	1077	209	1077	209	1077	209
11	3530	913	3177	811	2824	709	2471	607	2118	505	1765	404	1412	302	1103	212	1103	212	1103	212
12	3613	927	3252	823	2890	720	2529	616	2168	513	1806	409	1445	306	1129	215	1129	215	1129	215
13	3695	940	3326	835	2956	730	2587	625	2217	520	1848	415	1478	310	1155	219	1155	219	1155	219
14	3778	953	3400	847	3022	740	2645	634	2267	528	1889	421	1511	315	1181	222	1181	222	1181	222
15	3861	967	3475	859	3089	751	2702	643	2316	535	1930	427	1544	319	1206	225	1206	225	1206	225
16	3943	980	3549	870	3155	761	2760	652	2366	542	1972	433	1577	324	1232	228	1232	228	1232	228
17	4026	993	3623	882	3221	771	2818	661	2415	550	2013	439	1610	328	1258	231	1258	231	1258	231
18	4108	1006	3698	894	3287	782	2876	669	2465	557	2054	445	1643	332	1284	234	1284	234	1284	234
19	4191	1020	3772	906	3353	792	2934	678	2515	564	2095	451	1676	337	1310	237	1310	237	1310	237
20	4274	1033	3846	918	3419	802	29													

Indoor: RAS-B13J2KVG-E/UA, RAS-13J2KVG-TR

Outdoor: RAS-13J2AVG-E/UA/TR

Operation range	Cooling		Heating	
	Q	P	Q	P
MINIMUM	W 1000	260	1100	220
RATING	W 3300	1100	3600	920
MAXIMUM	W 3600	1250	4500	1240

Cooling

Outdoor Temperature DB (°C)	Parts Load (%)																			
	100		90		80		70		60		50		40		30		20		10	
	Q	P	Q	P	Q	P	Q	P	Q	P	Q	P	Q	P	Q	P	Q	P	Q	P
20	3935	864	3542	769	3148	674	2755	580	2361	485	1968	390	1574	296	1193	204	1193	204	1193	204
21	3893	879	3504	783	3114	687	2725	590	2336	494	1946	398	1557	301	1180	208	1180	208	1180	208
22	3851	895	3465	797	3080	699	2695	601	2310	503	1925	405	1540	307	1167	212	1167	212	1167	212
23	3808	911	3427	811	3047	711	2666	611	2285	512	1904	412	1523	312	1154	215	1154	215	1154	215
24	3766	927	3389	825	3013	724	2636	622	2260	520	1883	419	1506	317	1141	219	1141	219	1141	219
25	3724	942	3351	839	2979	736	2606	633	2234	529	1862	426	1489	323	1128	223	1128	223	1128	223
26	3681	958	3313	853	2945	748	2577	643	2209	538	1841	433	1472	328	1116	226	1116	226	1116	226
27	3639	974	3275	867	2911	760	2547	654	2183	547	1819	440	1456	334	1103	230	1103	230	1103	230
28	3596	990	3237	881	2877	773	2518	664	2158	556	1798	447	1439	339	1090	234	1090	234	1090	234
29	3554	1005	3199	895	2843	785	2488	675	2132	565	1777	455	1422	344	1077	238	1077	238	1077	238
30	3512	1021	3161	909	2809	797	2458	686	2107	574	1756	462	1405	350	1064	241	1064	241	1064	241
31	3469	1037	3122	923	2776	810	2429	696	2082	582	1735	469	1388	355	1051	245	1051	245	1051	245
32	3427	1053	3084	937	2742	822	2399	707	2056	591	1714	476	1371	361	1039	249	1039	249	1039	249
33	3385	1068	3046	951	2708	834	2369	717	2031	600	1692	483	1354	366	1026	253	1026	253	1026	253
34	3342	1084	3008	965	2674	847	2340	728	2005	609	1671	490	1337	371	1013	256	1013	256	1013	256
35	3300	1100	2970	979	2640	859	2310	738	1980	618	1650	497	1320	377	1000	260	1000	260	1000	260
36	3258	1116	2932	994	2606	871	2280	749	1955	627	1629	505	1303	382	987	264	987	264	987	264
37	3215	1132	2894	1008	2572	884	2251	760	1929	636	1608	512	1286	388	974	267	974	267	974	267
38	3173	1147	2856	1022	2538	896	2221	770	1904	644	1586	519	1269	393	962	271	962	271	962	271
39	3131	1163	2818	1036	2504	908	2191	781	1878	653	1565	526	1252	398	949	275	949	275	949	275
40	3088	1179	2779	1050	2471	921	2162	791	1853	662	1544	533	1235	404	936	279	936	279	936	279
41	3046	1195	2741	1064	2437	933	2132	802	1828	671	1523	540	1218	409	923	282	923	282	923	282
42	3004	1210	2703	1078	2403	945	2102	813	1802	680	1502	547	1201	415	910	286	910	286	910	286
43	2961	1226	2665	1092	2369	957	2073	823	1777	689	1481	554	1184	420	897	290	897	290	897	290
44	2919	1242	2627	1106	2335	970	2043	834	1751	698	1459	562	1168	425	885	294	885	294	885	294
45	2877	1258	2589	1120	2301	982	2014	844	1726	706	1438	569	1151	431	872	297	872	297	872	297
46	2834	1273	2551	1134	2267	994	1984	855	1700	715	1417	576	1134	436	859	301	859	301	859	301

Heating

Outdoor Temperature DB (°C)	Parts Load (%)																			
	100		90		80		70		60		50		40		30		20		10	
	Q	P	Q	P	Q	P	Q	P	Q	P	Q	P	Q	P	Q	P	Q	P	Q	P
-15	1652	684	1487	609	1322	534	1157	459	991	384	826	309	661	234	505	164	505	164	505	164
-14	1717	695	1546	619	1374	543	1202	467	1030	390	859	314	687	238	525	166	525	166	525	166
-13	1783	706	1604	629	1426	552	1248	474	1070	397	891	319	713	242	545	169	545	169	545	169
-12	1848	717	1663	639	1478	560	1293	482	1109	403	924	324	739	246	565	172	565	172	565	172
-11	1913	729	1722	649	1530	569	1339	489	1148	409	957	329	765	250	585	174	585	174	585	174
-10	1978	740	1780	659	1583	578	1385	497	1187	416	989	335	791	253	604	177	604	177	604	177
-9	2043	751	1839	669	1635	586	1430	504	1226	422	1022	340	817	257	624	180	624	180	624	180
-8	2109	762	1898	679	1687	595	1476	512	1265	428	1054	345	843	261	644	182	644	182	644	182
-7	2174	773	1957	689	1739	604	1522	519	1304	434	1087	350	870	265	664	185	664	185	664	185
-6	2222	778	2000	693	1778	607	1556	522	1333	437	1111	352	889	267	679	186	679	186	679	186
-5	2271	782	2043	697	1816	611	1589	525	1362	440	1135	354	908	268	694	187	694	187	694	187
-4	2319	787	2087	701	1855	615	1623	528	1391	442	1159	356	928	270	709	188	709	188	709	188
-3	2367	792	2130	705	1894	618	1657	531	1420	445	1184	358	947	271	723	189	723	189	723	189
-2	2415	796	2174	709	1932	622	1691	534	1449	447	1208	360	966	273	738	190	738	190	738	190
-1	2464	801	2217	713	1971	625	1725	537	1478	450	1232	362	986	274	753	191	753	191	753	191
0	2512	805	2261	717	2010	629	1758	540	1507	452	1256	364	1005	276	768	193	768	193	768	193
1	2560	810	2304	721	2048	632	1792	544	1536	455	1280	366	1024	277	782	194	782	194	782	194
2	2609	814	2348	725	2087	636	1826	547	1565	457	1304	368	1043	279	797	195	797	195	797	195
3	2651	825	2386	735	2121	644	1856	554	1591	463	1326	373	1061	283	810	197	810	197	810	197
4	2694	836	2425	744	2155	653	1886	561	1616	470	1347	378	1078	286	823	200	823	200	823	200
5	2737	847	2463	754	2190	661	1916	569	1642	476	1368	383	1095	290	836	203	836	203	836	203
6	3507	906	3156	807	2806	707	2455	608	2104	509	1754	410	1403	310	1072	217	1072	217	1072	217
7	3600	920	3240	819	2880	718	2520	618	2160	517	1800	416	1440	315	1100	220	1100	220	1100	220
8	3693	934	3324	832	2954	730	2585	627	2216	525	1846	422	1477	320	1128	223	1128	223	1128	223
9	3786	948	3407	845	3029	741	2650	637	2271	533	1893	429	1514	325	1157	227	1157	227	1157	227
10	3879	963	3491	857	3103	752	2715	646	2327	541	1939	435	1551	330	1185	230	1185	230	1185	230
11	3972	977	3574	870	3177	763	2780	656	2383	549	1986	442	1589	335	1214	234	1214	234	1214	234
12	4065	991	3658	883	3252	774	2845	665	2439	557	2032	448	1626	340	1242	237	1242	237	1242	237
13	4157	1005	3742	895	3326	785	2910	675	2494	565	2079	455	1663	344	1270	240	1270	240	1270	240
14	4250	1020	3825	908	3400	796	2975	685	2550	573	2125	461	1700	349	1299	244	1299	244	1299	244
15	4343	1034	3909	921	3475	807	3040	694	2606	581	2172	468	1737	354	1327	247	1327	247	1327	247
16	4436	1048	3993	933	3549	819	3105	704	2662	589	2218	474	1774	359	1355	251	1355	251	1355	251
17	4529	1062	4076	946	3623	830	3170	713	2717	597	2265	480	1812	364	1384	254	1384	254	1384	254
18	4622	1077	4160	959	3698	841	3235	723	2773	605	2311	487	1849	369	1412	257	1412	257	1412	257
19	4715	1091	4243	971	3772	852	3300	732	2829	613	2357	493	1886	374	1441					

Indoor: RAS-B16J2KVG-E/UA, RAS-16J2KVG-TR

Outdoor: RAS-16J2AVG-E/UA/TR

Operation range	Cooling		Heating	
	Q	P	Q	P
MINIMUM	W 1200	320	1300	240
RATING	W 4200	1400	5000	1400
MAXIMUM	W 4700	1800	6000	1700

Cooling

Outdoor Temperature DB (°C)	Parts Load (%)																			
	100		90		80		70		60		50		40		30		20		10	
	Q	P	Q	P	Q	P	Q	P	Q	P	Q	P	Q	P	Q	P	Q	P	Q	P
20	5009	1099	4508	980	4007	862	3506	743	3005	624	2504	506	2003	387	1503	268	1431	251	1431	251
21	4955	1119	4459	998	3964	877	3468	756	2973	636	2477	515	1982	394	1486	273	1416	256	1416	256
22	4901	1139	4411	1016	3921	893	3430	770	2940	647	2450	524	1960	401	1470	278	1400	260	1400	260
23	4847	1159	4362	1034	3877	909	3393	784	2908	658	2423	533	1939	408	1454	283	1385	265	1385	265
24	4793	1179	4314	1052	3834	925	3355	797	2876	670	2396	542	1917	415	1438	288	1369	270	1369	270
25	4739	1199	4265	1070	3791	940	3317	811	2843	681	2370	552	1896	422	1422	293	1354	274	1354	274
26	4685	1219	4217	1088	3748	956	3280	824	2811	693	2343	561	1874	429	1406	298	1339	279	1339	279
27	4631	1239	4168	1106	3705	972	3242	838	2779	704	2316	570	1852	436	1389	302	1323	283	1323	283
28	4577	1260	4120	1124	3662	987	3204	851	2746	715	2289	579	1831	443	1373	307	1308	288	1308	288
29	4523	1280	4071	1141	3619	1003	3166	865	2714	727	2262	589	1809	450	1357	312	1292	292	1292	292
30	4470	1300	4023	1159	3576	1019	3129	879	2682	738	2235	598	1788	457	1341	317	1277	297	1277	297
31	4416	1320	3974	1177	3532	1035	3091	892	2649	750	2208	607	1766	465	1325	322	1262	302	1262	302
32	4362	1340	3926	1195	3489	1050	3053	906	2617	761	2181	616	1745	472	1309	327	1246	306	1246	306
33	4308	1360	3877	1213	3446	1066	3015	919	2585	772	2154	626	1723	479	1292	332	1231	311	1231	311
34	4254	1380	3829	1231	3403	1082	2978	933	2552	784	2127	635	1702	486	1276	337	1215	315	1215	315
35	4200	1400	3780	1249	3360	1098	2940	946	2520	795	2100	644	1680	493	1260	342	1200	320	1200	320
36	4146	1420	3731	1267	3317	1113	2902	960	2488	807	2073	653	1658	500	1244	346	1185	325	1185	325
37	4092	1440	3683	1285	3274	1129	2865	974	2455	818	2046	662	1637	507	1228	351	1169	329	1169	329
38	4038	1460	3634	1302	3231	1145	2827	987	2423	829	2019	672	1615	514	1211	356	1154	334	1154	334
39	3984	1480	3586	1320	3188	1161	2789	1001	2391	841	1992	681	1594	521	1195	361	1138	338	1138	338
40	3931	1500	3537	1338	3144	1176	2751	1014	2358	852	1965	690	1572	528	1179	366	1123	343	1123	343
41	3877	1520	3489	1356	3101	1192	2714	1028	2326	864	1938	699	1551	535	1163	371	1108	348	1108	348
42	3823	1540	3440	1374	3058	1208	2676	1041	2294	875	1911	709	1529	542	1147	376	1092	352	1092	352
43	3769	1561	3392	1392	3015	1223	2638	1055	2261	886	1884	718	1508	549	1131	381	1077	357	1077	357
44	3715	1581	3343	1410	2972	1239	2600	1068	2229	898	1857	727	1486	556	1114	386	1061	361	1061	361
45	3661	1601	3295	1428	2929	1255	2563	1082	2197	909	1831	736	1464	563	1098	391	1046	366	1046	366
46	3607	1621	3246	1446	2886	1271	2525	1096	2164	921	1804	746	1443	570	1082	395	1031	370	1031	370

Heating

Outdoor Temperature DB (°C)	Parts Load (%)																			
	100		90		80		70		60		50		40		30		20		10	
	Q	P	Q	P	Q	P	Q	P	Q	P	Q	P	Q	P	Q	P	Q	P	Q	P
-15	2415	1007	2174	894	1932	781	1691	669	1449	556	1208	443	966	330	725	218	628	173	628	173
-14	2502	1026	2252	911	2001	796	1751	681	1501	566	1251	452	1001	337	751	222	650	176	650	176
-13	2588	1045	2329	928	2070	811	1812	694	1553	577	1294	460	1035	343	776	226	673	179	673	179
-12	2674	1065	2407	945	2139	826	1872	707	1605	588	1337	469	1070	349	802	230	695	183	695	183
-11	2761	1084	2484	963	2208	841	1932	720	1656	599	1380	477	1104	356	828	234	718	186	718	186
-10	2847	1103	2562	980	2277	856	1993	733	1708	609	1423	486	1139	362	854	239	740	189	740	189
-9	2933	1123	2640	997	2346	871	2053	746	1760	620	1467	494	1173	368	880	243	763	192	763	192
-8	3019	1142	2717	1014	2415	886	2114	758	1812	631	1510	503	1208	375	906	247	785	196	785	196
-7	3106	1162	2795	1031	2484	901	2174	771	1863	641	1553	511	1242	381	932	251	807	199	807	199
-6	3163	1170	2847	1039	2530	908	2214	777	1898	646	1582	515	1265	384	949	253	822	201	822	201
-5	3221	1179	2899	1047	2576	915	2254	783	1932	651	1610	519	1288	387	966	255	837	202	837	202
-4	3278	1187	2950	1054	2622	921	2295	788	1967	656	1639	523	1311	390	983	257	852	204	852	204
-3	3336	1196	3002	1062	2669	928	2335	794	2001	660	1668	526	1334	392	1001	259	867	205	867	205
-2	3393	1205	3054	1070	2715	935	2375	800	2036	665	1697	530	1357	395	1018	260	882	206	882	206
-1	3451	1213	3106	1077	2761	941	2415	806	2070	670	1725	534	1380	398	1035	262	897	208	897	208
0	3508	1222	3157	1085	2807	948	2456	811	2105	675	1754	538	1403	401	1052	264	912	209	912	209
1	3566	1230	3209	1093	2853	955	2496	817	2139	679	1783	542	1426	404	1070	266	927	211	927	211
2	3623	1239	3261	1100	2899	961	2536	823	2174	684	1812	545	1449	407	1087	268	942	212	942	212
3	3683	1256	3314	1115	2946	974	2578	834	2210	693	1841	553	1473	412	1105	271	957	215	957	215
4	3742	1272	3368	1130	2994	987	2619	845	2245	702	1871	560	1497	418	1123	275	973	218	973	218
5	3801	1289	3421	1145	3041	1000	2661	856	2281	712	1901	567	1520	423	1140	279	988	221	988	221
6	4871	1378	4384	1224	3897	1070	3410	915	2923	761	2435	607	1948	452	1461	298	1266	236	1266	236
7	5000	1400	4500	1243	4000	1086	3500	930	3000	773	2500	616	2000	459	1500	303	1300	240	1300	240
8	5129	1422	4616	1262	4103	1103	3590	944	3077	785	2565	626	2052	467	1539	307	1334	244	1334	244
9	5258	1443	4732	1282	4206	1120	3681	959	3155	797	2629	635	2103	474	1577	312	1367	247	1367	247
10	5387	1465	4848	1301	4310	1137	3771	973	3232	809	2694	645	2155	481	1616	317	1401	251	1401	251
11	5516	1487	4965	1320	4413	1154	3861	987	3310	821	2758	654	2206	488	1655	321	1434	255	1434	255
12	5645	1508	5081	1339	4516	1171	3952	1002	3387	833	2823	664	2258	495	1694	326	1468	259	1468	259
13	5774	1530	5197	1359	4619	1187	4042	1016	3465	845	2887	673	2310	502	1732	331	1501	262	1501	262
14	5903	1552	5313	1378	4723	1204	4132	1031	3542	857	2952	683	2361	509	1771	336	1535	266	1535	266
15	6032	1573	5429	1397	4826	1221	4223	1045	3619	869	3016	693	2413	516	1810	340	1568	270	1568	270
16	6161	1595	5545	1416	4929	1238	4313	1059	3697	881	3081	702	2465	523	1848	345	1602	273	1602	273
17	6290	1617	5661	1436	5032	1255	4403	1074	3774	893	3145	712	2516	531	1887	350	1635	277	1635	277
18	6419	1638	5777	1455	5135	1272	4494	1088	3852	905	3210	721	2568	538						

Indoor: RAS-18J2KVG-E/UA/TR
 Outdoor: RAS-18J2AVG-E/UA/TR

Operation range		Cooling		Heating	
		Q	P	Q	P
MINIMUM	W	1300	270	1000	200
RATING	W	5000	1550	5400	1600
MAXIMUM	W	5500	1800	6000	1850

Cooling

Outdoor Temperature DB (°C)	Parts Load (%)																			
	100		90		80		70		60		50		40		30		20		10	
	Q	P	Q	P	Q	P	Q	P	Q	P	Q	P	Q	P	Q	P	Q	P	Q	P
20	5963	1217	5366	1081	4770	945	4174	819	3578	674	2981	538	2385	402	1789	266	1550	212	1550	212
21	5898	1239	5309	1101	4719	962	4129	824	3539	686	2949	548	2359	409	1770	271	1534	216	1534	216
22	5834	1261	5251	1120	4667	980	4084	839	3501	698	2917	557	2334	417	1750	276	1517	220	1517	220
23	5770	1283	5193	1140	4616	997	4039	854	3462	711	2885	567	2308	424	1731	281	1500	224	1500	224
24	5706	1306	5135	1160	4565	1014	3994	869	3424	723	2853	577	2282	431	1712	286	1484	227	1484	227
25	5642	1328	5078	1180	4513	1031	3949	883	3385	735	2821	587	2257	439	1693	291	1467	231	1467	231
26	5578	1350	5020	1199	4462	1049	3904	898	3347	747	2789	597	2231	446	1673	295	1450	235	1450	235
27	5513	1372	4962	1219	4411	1066	3859	913	3308	760	2757	607	2205	453	1654	300	1433	239	1433	239
28	5449	1394	4904	1239	4359	1083	3814	928	3270	772	2725	616	2180	461	1635	305	1417	243	1417	243
29	5385	1417	4847	1259	4308	1101	3770	942	3231	784	2693	626	2154	468	1616	310	1400	247	1400	247
30	5321	1439	4789	1278	4257	1118	3725	957	3193	797	2660	636	2128	475	1596	315	1383	251	1383	251
31	5257	1461	4731	1298	4205	1135	3680	972	3154	809	2628	646	2103	483	1577	320	1367	255	1367	255
32	5193	1483	4673	1318	4154	1152	3635	987	3116	821	2596	656	2077	490	1558	325	1350	258	1350	258
33	5128	1506	4616	1338	4103	1170	3590	1002	3077	834	2564	665	2051	497	1539	329	1333	262	1333	262
34	5064	1528	4558	1357	4051	1187	3545	1016	3039	846	2532	675	2026	505	1519	334	1317	266	1317	266
35	5000	1550	4500	1377	4000	1204	3500	1031	3000	858	2500	685	2000	512	1500	339	1300	270	1300	270
36	4936	1572	4442	1397	3949	1221	3455	1046	2962	870	2468	695	1974	520	1481	344	1283	274	1283	274
37	4872	1594	4385	1417	3897	1239	3410	1061	2923	883	2436	705	1949	527	1462	349	1267	278	1267	278
38	4808	1617	4327	1436	3846	1256	3365	1075	2885	895	2404	715	1923	534	1442	354	1250	282	1250	282
39	4743	1639	4269	1456	3795	1273	3320	1090	2846	907	2372	724	1897	542	1423	359	1233	285	1233	285
40	4679	1661	4211	1476	3743	1290	3275	1105	2808	920	2340	734	1872	549	1404	363	1217	289	1217	289
41	4615	1683	4154	1495	3692	1308	3231	1120	2769	932	2308	744	1846	556	1385	368	1200	293	1200	293
42	4551	1706	4096	1515	3641	1325	3186	1135	2731	944	2275	754	1820	564	1365	373	1183	297	1183	297
43	4487	1728	4038	1535	3589	1342	3141	1149	2692	957	2243	764	1795	571	1346	378	1167	301	1167	301
44	4423	1750	3980	1555	3538	1359	3096	1164	2654	969	2211	774	1769	578	1327	383	1150	305	1150	305
45	4358	1772	3923	1574	3487	1377	3051	1179	2615	981	2179	783	1743	586	1308	388	1133	309	1133	309
46	4294	1794	3865	1594	3435	1394	3006	1194	2577	993	2147	793	1718	593	1288	393	1116	313	1116	313

Heating

Outdoor Temperature DB (°C)	Parts Load (%)																			
	100		90		80		70		60		50		40		30		20		10	
	Q	P	Q	P	Q	P	Q	P	Q	P	Q	P	Q	P	Q	P	Q	P	Q	P
-15	2481	1125	2233	1004	1985	883	1737	763	1489	642	1241	521	993	400	744	279	496	159	460	141
-14	2569	1144	2312	1021	2055	899	1798	776	1541	653	1284	530	1027	407	771	284	514	161	476	143
-13	2656	1164	2390	1039	2124	914	1859	789	1593	664	1328	539	1062	414	797	289	531	164	492	145
-12	2743	1183	2468	1056	2194	929	1920	802	1646	675	1371	548	1097	421	823	294	549	167	508	148
-11	2830	1203	2547	1073	2264	944	1981	815	1698	686	1415	557	1132	428	849	299	566	169	524	150
-10	2917	1222	2625	1091	2334	960	2042	828	1750	697	1458	566	1167	435	875	303	583	172	540	153
-9	3004	1241	2704	1108	2403	975	2103	841	1802	708	1502	575	1202	442	901	308	601	175	556	155
-8	3091	1261	2782	1125	2473	990	2164	855	1855	719	1546	584	1236	448	927	313	618	178	572	158
-7	3178	1280	2860	1143	2543	1005	2225	868	1907	730	1589	593	1271	455	953	318	636	180	589	160
-6	3266	1295	2934	1156	2608	1017	2282	878	1956	739	1630	600	1304	461	978	322	652	183	604	162
-5	3341	1310	3007	1170	2673	1029	2339	888	2005	747	1671	607	1337	466	1002	325	668	185	619	164
-4	3423	1325	3081	1183	2738	1041	2396	898	2054	756	1712	614	1369	471	1027	329	685	187	634	166
-3	3505	1340	3154	1197	2804	1053	2453	909	2103	765	1752	621	1402	477	1051	333	701	189	649	168
-2	3586	1356	3228	1210	2869	1064	2510	919	2152	773	1793	628	1435	482	1076	337	717	191	664	169
-1	3668	1371	3301	1223	2934	1076	2568	929	2201	782	1834	635	1467	488	1100	340	734	193	679	171
0	3750	1386	3375	1237	3000	1088	2625	939	2250	791	1875	642	1500	493	1125	344	750	195	694	173
1	3831	1401	3448	1250	3065	1100	2682	950	2299	799	1916	649	1533	498	1149	348	766	197	710	175
2	3913	1416	3522	1264	3130	1112	2739	960	2348	808	1957	656	1565	504	1174	352	783	200	725	177
3	3977	1435	3579	1281	3182	1127	2784	973	2386	819	1989	664	1591	510	1193	356	795	202	737	179
4	4041	1454	3637	1298	3233	1142	2829	986	2425	829	2021	673	1616	517	1212	361	808	205	748	182
5	4105	1473	3695	1315	3284	1157	2874	998	2463	840	2053	682	1642	524	1232	366	821	208	760	184
6	5261	1575	4735	1406	4209	1237	3682	1068	3156	899	2630	729	2104	560	1578	391	1052	222	974	197
7	5400	1600	4860	1428	4320	1256	3780	1085	3240	913	2700	741	2160	569	1620	397	1080	225	1000	200
8	5539	1625	4985	1450	4431	1276	3878	1101	3324	927	2770	752	2216	578	1662	403	1108	229	1026	203
9	5679	1650	5111	1472	4543	1295	3975	1118	3407	941	2839	764	2271	587	1704	410	1136	232	1052	206
10	5818	1674	5236	1495	4654	1315	4073	1135	3491	955	2909	775	2327	596	1745	416	1164	236	1077	209
11	5957	1699	5362	1517	4766	1334	4170	1152	3574	969	2979	787	2383	604	1787	422	1191	239	1103	212
12	6097	1724	5487	1539	4877	1354	4268	1169	3658	983	3048	798	2439	613	1829	428	1219	243	1129	215
13	6236	1749	5613	1561	4989	1373	4365	1185	3742	998	3118	810	2494	622	1871	434	1247	246	1155	219
14	6375	1773	5738	1583	5100	1393	4463	1202	3825	1012	3188	821	2550	631	1913	440	1275	250	1181	222
15	6515	1798	5863	1605	5212	1412	4560	1219	3909	1026	3257	833	2606	640	1954	446	1303	253	1206	225
16	6654	1823	5989	1627	5323	1431	4658	1236	3993	1040	3327	844	2662	648	1996	453	1331	257	1232	228
17	6794	1848	6114	1649	5435	1451	4755	1252	4076	1054	3397	856	2717	657	2038	459	1359	260	1258	231
18	6933	1873	6240	1671	5546	1470	4853	1269	4160	1068	3466	867	2773	666	2080					

Indoor: RAS-24J2KVG-E/UA/TR
 Outdoor: RAS-24J2AVG-E/UA/TR

Operation range	Cooling		Heating	
	Q	P	Q	P
MINIMUM	W 1600	320	1600	290
RATING	W 6500	2250	7000	2100
MAXIMUM	W 7200	2600	8100	2550

Cooling

Outdoor Temperature DB (°C)	Parts Load (%)																			
	100		90		80		70		60		50		40		30		20		10	
	Q	P	Q	P	Q	P	Q	P	Q	P	Q	P	Q	P	Q	P	Q	P	Q	P
20	7751	1766	6976	1565	6201	1364	5426	1163	4651	962	3876	761	3101	560	2325	359	1908	251	1908	251
21	7668	1799	6901	1594	6134	1389	5367	1185	4601	980	3834	775	3067	571	2300	366	1887	256	1887	256
22	7584	1831	6826	1622	6068	1414	5309	1206	4551	997	3792	789	3034	581	2275	373	1867	260	1867	260
23	7501	1863	6751	1651	6001	1439	5251	1227	4501	1015	3751	803	3000	591	2250	379	1846	265	1846	265
24	7418	1895	6676	1680	5934	1464	5192	1248	4451	1033	3709	817	2967	601	2225	386	1826	270	1826	270
25	7334	1928	6601	1708	5867	1489	5134	1270	4401	1050	3667	831	2934	612	2200	392	1805	274	1805	274
26	7251	1960	6526	1737	5801	1514	5076	1291	4350	1068	3625	845	2900	622	2175	399	1785	279	1785	279
27	7167	1992	6451	1765	5734	1539	5017	1312	4300	1085	3584	859	2867	632	2150	405	1764	283	1764	283
28	7084	2024	6376	1794	5667	1564	4959	1333	4250	1103	3542	873	2834	642	2125	412	1744	288	1744	288
29	7001	2057	6300	1822	5600	1588	4900	1354	4200	1120	3500	886	2800	652	2100	418	1723	292	1723	292
30	6917	2089	6225	1851	5534	1613	4842	1376	4150	1138	3459	900	2767	663	2075	425	1703	297	1703	297
31	6834	2121	6150	1880	5467	1638	4784	1397	4100	1156	3417	914	2733	673	2050	432	1682	302	1682	302
32	6750	2153	6075	1908	5400	1663	4725	1418	4050	1173	3375	928	2700	683	2025	438	1662	306	1662	306
33	6667	2186	6000	1937	5333	1688	4667	1439	4000	1191	3333	942	2667	693	2000	445	1641	311	1641	311
34	6583	2218	5925	1965	5267	1713	4608	1461	3950	1208	3292	956	2633	704	1975	451	1621	315	1621	315
35	6500	2250	5850	1994	5200	1738	4550	1482	3900	1226	3250	970	2600	714	1950	458	1600	320	1600	320
36	6417	2282	5775	2023	5133	1763	4492	1503	3850	1243	3208	984	2567	724	1925	464	1579	325	1579	325
37	6333	2315	5700	2051	5067	1788	4433	1524	3800	1261	3167	998	2533	734	1900	471	1559	329	1559	329
38	6250	2347	5625	2080	5000	1813	4375	1546	3750	1279	3125	1012	2500	745	1875	478	1538	334	1538	334
39	6166	2379	5550	2108	4933	1838	4316	1567	3700	1296	3083	1026	2467	755	1850	484	1518	338	1518	338
40	6083	2411	5475	2137	4866	1863	4258	1588	3650	1314	3041	1039	2433	765	1825	491	1497	343	1497	343
41	6000	2444	5400	2165	4800	1887	4200	1609	3600	1331	3000	1053	2400	775	1800	497	1477	348	1477	348
42	5916	2476	5324	2194	4733	1912	4141	1631	3550	1349	2958	1067	2366	786	1775	504	1456	352	1456	352
43	5833	2508	5249	2223	4666	1937	4083	1652	3500	1366	2916	1081	2333	796	1750	510	1436	357	1436	357
44	5750	2521	5175	2234	4565	1947	3994	1660	3423	1374	2853	1087	2282	800	1712	513	1404	359	1404	359
45	5366	2343	4829	2076	4293	1809	3756	1543	3219	1276	2683	1010	2146	743	1610	477	1321	333	1321	333
46	5221	2343	4699	2076	4177	1809	3655	1543	3133	1276	2611	1010	2089	743	1566	477	1285	333	1285	333

Heating

Outdoor Temperature DB (°C)	Parts Load (%)																			
	100		90		80		70		60		50		40		30		20		10	
	Q	P	Q	P	Q	P	Q	P	Q	P	Q	P	Q	P	Q	P	Q	P	Q	P
-15	3293	1487	2963	1321	2634	1155	2305	988	1976	822	1646	656	1317	490	988	324	753	205	753	205
-14	3393	1510	3053	1341	2714	1173	2375	1004	2036	835	1696	666	1357	498	1018	329	775	209	775	209
-13	3493	1533	3144	1362	2794	1191	2445	1019	2096	848	1746	677	1397	505	1048	334	798	212	798	212
-12	3593	1556	3234	1383	2874	1209	2515	1035	2156	861	1796	687	1437	513	1078	339	821	215	821	215
-11	3693	1580	3324	1403	2954	1227	2585	1050	2216	874	1847	697	1477	521	1108	344	844	218	844	218
-10	3793	1603	3414	1424	3035	1245	2655	1066	2276	887	1897	707	1517	528	1138	349	867	221	867	221
-9	3893	1626	3504	1444	3115	1263	2725	1081	2336	899	1947	718	1557	536	1168	354	890	225	890	225
-8	3993	1649	3594	1465	3195	1281	2795	1097	2396	912	1997	728	1597	544	1198	359	913	228	913	228
-7	4094	1673	3684	1486	3275	1299	2865	1112	2456	925	2047	738	1637	551	1228	364	936	231	936	231
-6	4202	1693	3782	1504	3362	1315	2942	1126	2521	936	2101	747	1681	558	1261	369	961	234	961	234
-5	4311	1714	3880	1522	3449	1331	3018	1139	2587	948	2156	756	1724	565	1293	373	985	237	985	237
-4	4420	1735	3978	1541	3536	1347	3094	1153	2652	959	2210	766	1768	572	1326	378	1010	240	1010	240
-3	4529	1755	4076	1559	3623	1363	3170	1167	2717	971	2264	775	1811	579	1359	382	1035	242	1035	242
-2	4637	1776	4174	1577	3710	1379	3246	1181	2782	982	2319	784	1855	585	1391	387	1060	245	1060	245
-1	4746	1796	4272	1596	3797	1395	3322	1194	2848	994	2373	793	1898	592	1424	391	1085	248	1085	248
0	4855	1817	4369	1614	3884	1411	3398	1208	2913	1005	2427	802	1942	599	1456	396	1110	251	1110	251
1	4964	1838	4467	1632	3971	1427	3475	1222	2978	1016	2482	811	1985	606	1489	400	1135	254	1135	254
2	5072	1858	4565	1651	4058	1443	3551	1235	3043	1028	2536	820	2029	613	1522	405	1159	257	1159	257
3	5156	1883	4640	1673	4124	1463	3609	1252	3093	1042	2578	831	2062	621	1547	410	1178	260	1178	260
4	5239	1908	4715	1695	4191	1482	3667	1269	3143	1056	2619	842	2095	629	1572	416	1197	264	1197	264
5	5322	1933	4790	1717	4257	1501	3725	1285	3193	1069	2661	853	2129	637	1597	421	1216	267	1216	267
6	5419	1967	4865	1740	4324	1520	3787	1301	3243	1083	2702	864	2162	645	1622	426	1235	270	1235	270
7	5516	2000	4940	1763	4391	1539	3849	1317	3293	1097	2743	875	2195	653	1647	431	1254	273	1254	273
8	5613	2033	5015	1786	4458	1558	3911	1333	3343	1111	2784	886	2228	661	1672	436	1273	276	1273	276
9	5710	2066	5090	1809	4525	1577	3973	1349	3393	1125	2825	897	2261	669	1697	441	1292	279	1292	279
10	5807	2100	5165	1832	4592	1596	4035	1365	3443	1139	2866	908	2294	677	1722	446	1311	282	1311	282
11	5904	2133	5240	1855	4659	1615	4097	1381	3493	1153	2907	919	2327	685	1747	451	1330	285	1330	285
12	6001	2166	5315	1878	4726	1634	4159	1397	3543	1167	2948	930	2360	693	1772	456	1349	288	1349	288
13	6098	2199	5390	1901	4793	1653	4221	1413	3593	1181	2989	941	2393	701	1797	461	1368	291	1368	291
14	6195	2232	5465	1924	4860	1672	4283	1429	3643	1195	3030	952	2426	709	1822	466	1387	294	1387	294
15	6292	2265	5540	1947	4927	1691	4345	1445	3693	1209	3071	963	2459	717	1847	471	1406	297	1406	297
16	6389	2298	5615	1970	4994	1710	4407	1461	3743	1223	3112	974	2492	725	1872	476	1425	300	1425	300
17	6486	2331	5690	1993	5061	1729	4469	1477	3793	1237	3153	985	2525	733	1897	481	1444	303	1444	303
18	6583	2364	5765	2016																

10. Performance Characteristic

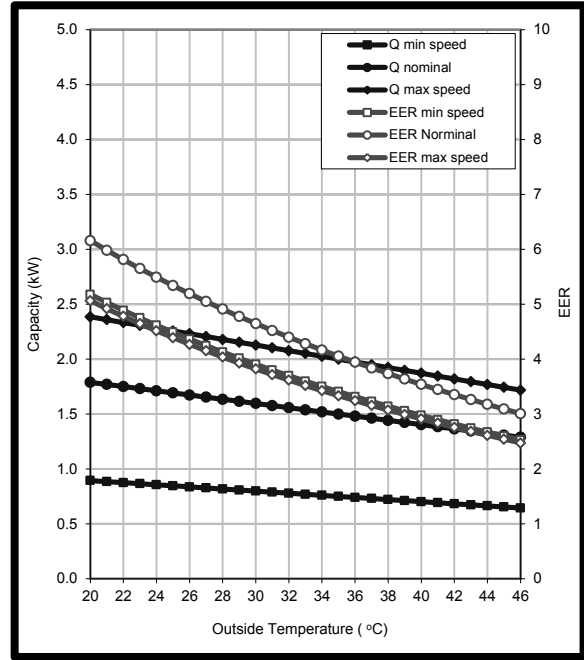
Model : RAS-B05J2KVG-E / RAS-05J2AVG-E
 RAS-B05J2KVG-UA / RAS-05J2AVG-UA
 RAS-05J2KVG-TR / RAS-05J2AVG-TR

Product specification :

Condition		Capacity (kW)	Power (kW)	EER/COP
Cooling JIS In: 27°C DB/19°C WB Out: 35°C DB/24°C WB	Min	0.75	0.22	3.41
	Rated	1.50	0.37	4.05
	Max	2.00	0.60	3.33
Heating JIS In: 20°C DB/15°C WB Out: 7°C DB/6°C WB	Min	0.90	0.19	4.74
	Rated	2.00	0.47	4.26
	Max	3.00	0.73	4.11

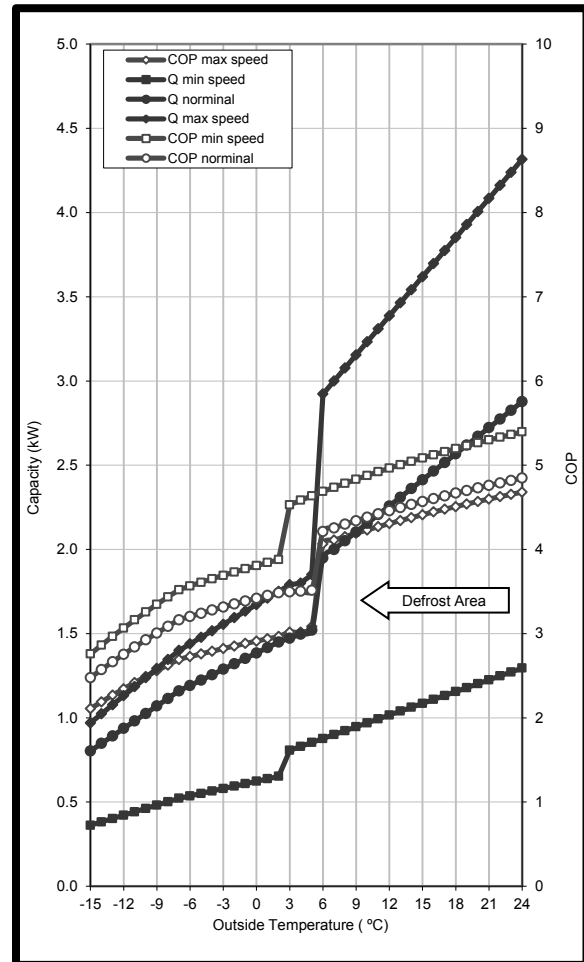
Cooling performance characteristic :

Outside Temp (°C)	Min capacity			Nominal capacity			Max capacity		
	Capacity (kW)	Power (kW)	EER (-)	Capacity (kW)	Power (kW)	EER (-)	Capacity (kW)	Power (kW)	EER (-)
20	0.89	0.17	5.18	1.79	0.29	6.16	2.39	0.47	5.06
21	0.88	0.18	5.03	1.77	0.30	5.98	2.36	0.48	4.92
22	0.88	0.18	4.89	1.75	0.30	5.81	2.33	0.49	4.78
23	0.87	0.18	4.75	1.73	0.31	5.65	2.31	0.50	4.65
24	0.86	0.19	4.62	1.71	0.31	5.49	2.28	0.51	4.52
25	0.85	0.19	4.49	1.69	0.32	5.34	2.26	0.51	4.39
26	0.84	0.19	4.37	1.67	0.32	5.19	2.23	0.52	4.27
27	0.83	0.19	4.25	1.65	0.33	5.05	2.21	0.53	4.15
28	0.82	0.20	4.13	1.63	0.33	4.91	2.18	0.54	4.04
29	0.81	0.20	4.02	1.62	0.34	4.78	2.15	0.55	3.93
30	0.80	0.20	3.91	1.60	0.34	4.65	2.13	0.56	3.82
31	0.79	0.21	3.80	1.58	0.35	4.52	2.10	0.57	3.72
32	0.78	0.21	3.70	1.56	0.35	4.40	2.08	0.57	3.62
33	0.77	0.21	3.60	1.54	0.36	4.28	2.05	0.58	3.52
34	0.76	0.22	3.50	1.52	0.36	4.17	2.03	0.59	3.43
35	0.75	0.22	3.41	1.50	0.37	4.05	2.00	0.60	3.33
36	0.74	0.22	3.32	1.48	0.38	3.95	1.97	0.61	3.24
37	0.73	0.23	3.23	1.46	0.38	3.84	1.95	0.62	3.16
38	0.72	0.23	3.14	1.44	0.39	3.74	1.92	0.63	3.07
39	0.71	0.23	3.06	1.42	0.39	3.64	1.90	0.63	2.99
40	0.70	0.24	2.98	1.40	0.40	3.54	1.87	0.64	2.91
41	0.69	0.24	2.90	1.38	0.40	3.45	1.85	0.65	2.83
42	0.68	0.24	2.82	1.37	0.41	3.35	1.82	0.66	2.76
43	0.67	0.25	2.74	1.35	0.41	3.26	1.79	0.67	2.68
44	0.66	0.25	2.67	1.33	0.42	3.18	1.77	0.68	2.61
45	0.65	0.25	2.60	1.31	0.42	3.09	1.74	0.69	2.54
46	0.64	0.25	2.53	1.29	0.43	3.01	1.72	0.69	2.47



Heating performance characteristic :

Outside Temp (°C)	Min capacity			Nominal capacity			Max capacity		
	Capacity (kW)	Power (kW)	COP (-)	Capacity (kW)	Power (kW)	COP (-)	Capacity (kW)	Power (kW)	COP (-)
-15	0.36	0.13	2.76	0.80	0.32	2.48	0.97	0.46	2.11
-14	0.38	0.13	2.86	0.85	0.33	2.57	1.02	0.47	2.19
-13	0.40	0.14	2.97	0.89	0.33	2.66	1.08	0.48	2.27
-12	0.42	0.14	3.07	0.94	0.34	2.75	1.13	0.48	2.34
-11	0.44	0.14	3.16	0.98	0.35	2.84	1.19	0.49	2.42
-10	0.46	0.14	3.26	1.03	0.35	2.93	1.24	0.50	2.49
-9	0.48	0.14	3.35	1.07	0.36	3.01	1.29	0.51	2.56
-8	0.50	0.15	3.44	1.11	0.36	3.09	1.35	0.51	2.63
-7	0.52	0.15	3.52	1.16	0.37	3.16	1.40	0.52	2.69
-6	0.54	0.15	3.57	1.19	0.37	3.20	1.44	0.53	2.73
-5	0.55	0.15	3.61	1.22	0.38	3.24	1.48	0.54	2.76
-4	0.57	0.15	3.65	1.26	0.38	3.28	1.52	0.54	2.79
-3	0.58	0.16	3.69	1.29	0.39	3.32	1.56	0.55	2.82
-2	0.59	0.16	3.73	1.32	0.39	3.35	1.59	0.56	2.85
-1	0.61	0.16	3.77	1.35	0.40	3.39	1.63	0.57	2.88
0	0.62	0.16	3.81	1.38	0.40	3.42	1.67	0.57	2.91
1	0.64	0.17	3.84	1.42	0.41	3.45	1.71	0.58	2.94
2	0.65	0.17	3.88	1.45	0.42	3.48	1.75	0.59	2.97
3	0.81	0.18	4.53	1.47	0.42	3.49	1.79	0.59	3.02
4	0.83	0.18	4.58	1.50	0.43	3.50	1.80	0.60	3.02
5	0.85	0.18	4.64	1.52	0.43	3.51	1.85	0.60	3.08
6	0.88	0.19	4.69	1.95	0.46	4.21	2.92	0.72	4.07
7	0.90	0.19	4.74	2.00	0.47	4.26	3.00	0.73	4.11
8	0.92	0.19	4.78	2.05	0.48	4.30	3.08	0.74	4.15
9	0.95	0.20	4.83	2.10	0.48	4.34	3.15	0.75	4.19
10	0.97	0.20	4.88	2.15	0.49	4.38	3.23	0.76	4.23
11	0.99	0.20	4.92	2.21	0.50	4.42	3.31	0.78	4.27
12	1.02	0.20	4.96	2.26	0.51	4.46	3.39	0.79	4.31
13	1.04	0.21	5.01	2.31	0.51	4.50	3.46	0.80	4.34
14	1.06	0.21	5.05	2.36	0.52	4.53	3.54	0.81	4.38
15	1.09	0.21	5.08	2.41	0.53	4.57	3.62	0.82	4.41
16	1.11	0.22	5.12	2.46	0.54	4.60	3.70	0.83	4.44
17	1.13	0.22	5.16	2.52	0.54	4.64	3.77	0.84	4.48
18	1.16	0.22	5.20	2.57	0.55	4.67	3.85	0.85	4.51
19	1.18	0.23	5.23	2.62	0.56	4.70	3.93	0.87	4.54
20	1.20	0.23	5.27	2.67	0.56	4.73	4.01	0.88	4.57
21	1.23	0.23	5.30	2.72	0.57	4.76	4.08	0.89	4.60
22	1.25	0.23	5.33	2.77	0.58	4.79	4.16	0.90	4.63
23	1.27	0.24	5.36	2.83	0.59	4.82	4.24	0.91	4.65
24	1.29	0.24	5.39	2.88	0.59	4.85	4.32	0.92	4.68



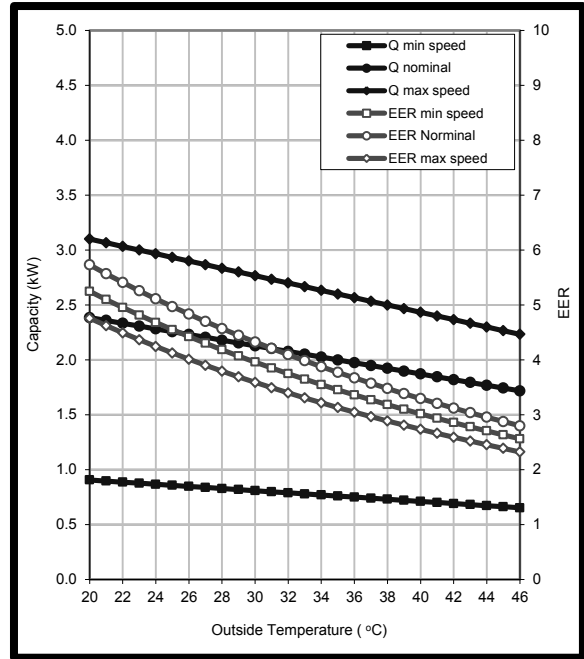
Model : RAS-B07J2KVG-E / RAS-07J2AVG-E
 RAS-B07J2KVG-UA / RAS-07J2AVG-UA
 RAS-07J2KVG-TR / RAS-07J2AVG-TR

Product specification :

Condition		Capacity (kW)	Power (kW)	EER/COP
Cooling JIS In: 27 °C DB/19°C WB Out: 35 °C DB/24°C WB	Min	0.76	0.22	3.45
	Rated	2.00	0.53	3.77
	Max	2.60	0.83	3.13
Heating JIS In: 20 °C DB/15°C WB Out: 7°C DB/6°C WB	Min	0.92	0.19	4.84
	Rated	2.50	0.64	3.91
	Max	3.30	0.90	3.67

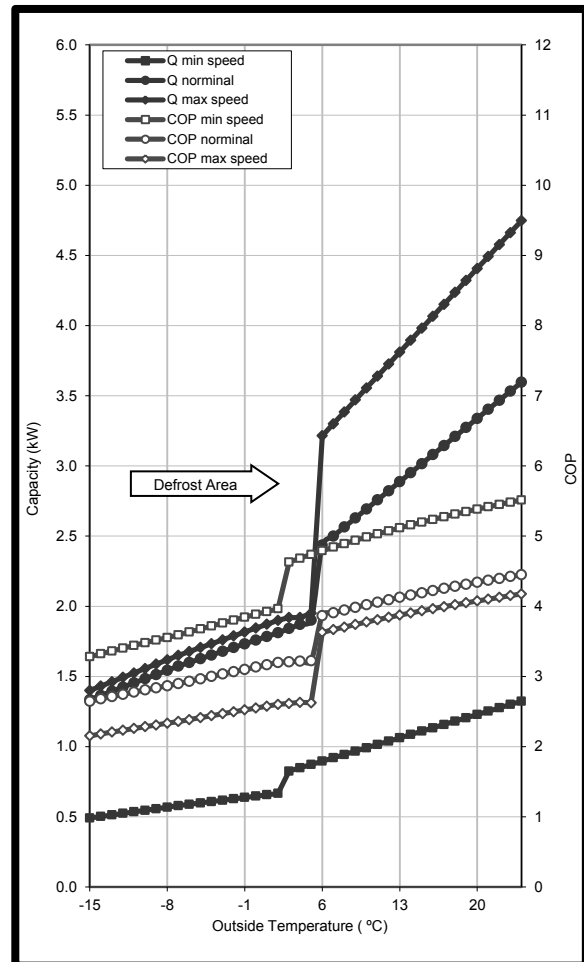
Cooling performance characteristic :

Outside Temp (°C)	Min capacity			Nominal capacity			Max capacity		
	Capacity (kW)	Power (kW)	EER (-)	Capacity (kW)	Power (kW)	EER (-)	Capacity (kW)	Power (kW)	EER (-)
20	0.91	0.17	5.25	2.39	0.42	5.73	3.10	0.65	4.76
21	0.90	0.18	5.10	2.36	0.42	5.57	3.07	0.66	4.62
22	0.89	0.18	4.95	2.33	0.43	5.41	3.03	0.68	4.49
23	0.88	0.18	4.81	2.31	0.44	5.26	3.00	0.69	4.37
24	0.87	0.19	4.68	2.28	0.45	5.11	2.97	0.70	4.24
25	0.86	0.19	4.55	2.26	0.45	4.97	2.93	0.71	4.13
26	0.85	0.19	4.42	2.23	0.46	4.83	2.90	0.72	4.01
27	0.84	0.19	4.30	2.21	0.47	4.70	2.87	0.73	3.90
28	0.83	0.20	4.18	2.18	0.48	4.57	2.83	0.75	3.79
29	0.82	0.20	4.07	2.15	0.48	4.45	2.80	0.76	3.69
30	0.81	0.20	3.96	2.13	0.49	4.33	2.77	0.77	3.59
31	0.80	0.21	3.85	2.10	0.50	4.21	2.73	0.78	3.49
32	0.79	0.21	3.75	2.08	0.51	4.09	2.70	0.79	3.40
33	0.78	0.21	3.65	2.05	0.51	3.98	2.67	0.81	3.31
34	0.77	0.22	3.55	2.03	0.52	3.88	2.63	0.82	3.22
35	0.76	0.22	3.45	2.00	0.53	3.77	2.60	0.83	3.13
36	0.75	0.22	3.36	1.97	0.54	3.67	2.57	0.84	3.05
37	0.74	0.23	3.27	1.95	0.55	3.57	2.53	0.85	2.97
38	0.73	0.23	3.18	1.92	0.55	3.48	2.50	0.87	2.89
39	0.72	0.23	3.10	1.90	0.56	3.39	2.47	0.88	2.81
40	0.71	0.24	3.02	1.87	0.57	3.30	2.43	0.89	2.74
41	0.70	0.24	2.94	1.85	0.58	3.21	2.40	0.90	2.66
42	0.69	0.24	2.86	1.82	0.58	3.12	2.37	0.91	2.59
43	0.68	0.25	2.78	1.79	0.59	3.04	2.33	0.93	2.52
44	0.67	0.25	2.71	1.77	0.60	2.96	2.30	0.94	2.45
45	0.66	0.25	2.63	1.74	0.61	2.88	2.27	0.95	2.39
46	0.65	0.25	2.56	1.72	0.61	2.80	2.23	0.96	2.32



Heating performance characteristic :

Outside Temp (°C)	Min capacity			Nominal capacity			Max capacity		
	Capacity (kW)	Power (kW)	COP (-)	Capacity (kW)	Power (kW)	COP (-)	Capacity (kW)	Power (kW)	COP (-)
-15	0.49	0.15	3.28	1.33	0.50	2.65	1.40	0.65	2.15
-14	0.50	0.15	3.32	1.36	0.51	2.68	1.43	0.66	2.18
-13	0.51	0.15	3.36	1.39	0.51	2.71	1.46	0.66	2.21
-12	0.52	0.15	3.40	1.42	0.52	2.75	1.49	0.67	2.23
-11	0.54	0.16	3.44	1.45	0.52	2.78	1.53	0.68	2.26
-10	0.55	0.16	3.48	1.48	0.53	2.81	1.56	0.68	2.28
-9	0.56	0.16	3.52	1.51	0.53	2.84	1.59	0.69	2.31
-8	0.57	0.16	3.55	1.54	0.54	2.87	1.62	0.69	2.33
-7	0.58	0.16	3.59	1.57	0.54	2.90	1.65	0.70	2.36
-6	0.59	0.16	3.63	1.60	0.55	2.93	1.68	0.70	2.39
-5	0.60	0.16	3.68	1.63	0.55	2.97	1.71	0.71	2.41
-4	0.61	0.16	3.72	1.65	0.55	3.00	1.73	0.71	2.44
-3	0.62	0.16	3.76	1.68	0.55	3.03	1.76	0.71	2.47
-2	0.63	0.17	3.80	1.71	0.56	3.07	1.79	0.72	2.50
-1	0.64	0.17	3.84	1.73	0.56	3.10	1.82	0.72	2.52
0	0.65	0.17	3.88	1.76	0.56	3.13	1.84	0.72	2.55
1	0.66	0.17	3.92	1.79	0.56	3.17	1.87	0.73	2.58
2	0.67	0.17	3.96	1.81	0.57	3.20	1.90	0.73	2.60
3	0.83	0.18	4.63	1.84	0.57	3.21	1.92	0.73	2.61
4	0.85	0.18	4.68	1.87	0.58	3.22	1.92	0.73	2.63
5	0.87	0.18	4.74	1.90	0.59	3.23	1.95	0.74	2.62
6	0.90	0.19	4.79	2.44	0.63	3.87	3.21	0.89	3.63
7	0.92	0.19	4.84	2.50	0.64	3.91	3.30	0.90	3.67
8	0.94	0.19	4.89	2.56	0.65	3.95	3.39	0.91	3.70
9	0.97	0.20	4.94	2.63	0.66	3.98	3.47	0.93	3.74
10	0.99	0.20	4.99	2.69	0.67	4.02	3.56	0.94	3.78
11	1.01	0.20	5.03	2.76	0.68	4.06	3.64	0.96	3.81
12	1.04	0.20	5.07	2.82	0.69	4.09	3.73	0.97	3.84
13	1.06	0.21	5.12	2.89	0.70	4.13	3.81	0.98	3.87
14	1.09	0.21	5.16	2.95	0.71	4.16	3.90	1.00	3.91
15	1.11	0.21	5.20	3.02	0.72	4.19	3.98	1.01	3.94
16	1.13	0.22	5.24	3.08	0.73	4.22	4.07	1.03	3.97
17	1.16	0.22	5.27	3.15	0.74	4.26	4.15	1.04	3.99
18	1.18	0.22	5.31	3.21	0.75	4.29	4.24	1.05	4.02
19	1.20	0.23	5.35	3.27	0.76	4.31	4.32	1.07	4.05
20	1.23	0.23	5.38	3.34	0.77	4.34	4.41	1.08	4.08
21	1.25	0.23	5.42	3.40	0.78	4.37	4.49	1.10	4.10
22	1.28	0.23	5.45	3.47	0.79	4.40	4.58	1.11	4.13
23	1.30	0.24	5.48	3.53	0.80	4.42	4.66	1.12	4.15
24	1.32	0.24	5.51	3.60	0.81	4.45	4.75	1.14	4.18



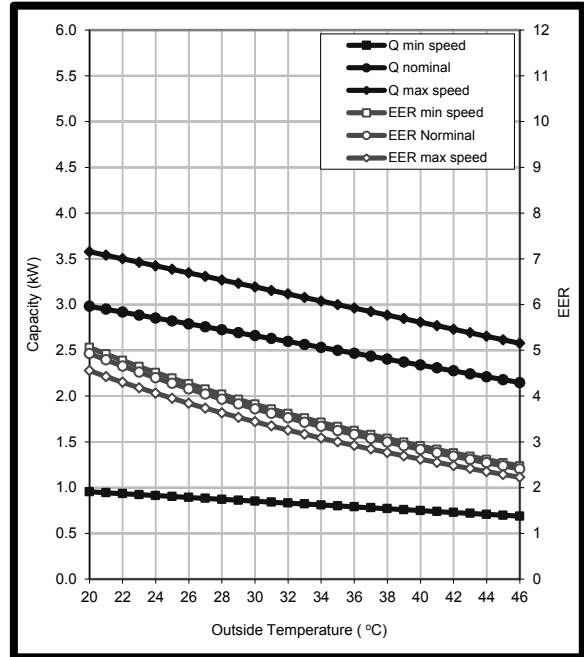
Model : RAS-B10J2KVG-E / RAS-10J2AVG-E
 RAS-B10J2KVG-UA / RAS-10J2AVG-UA
 RAS-10J2KVG-TR / RAS-10J2AVG-TR

Product specification :

Condition		Capacity (kW)	Power (kW)	EER/COP
Cooling JIS In: 27 °C DB/19°C WB Out: 35°C DB/24°C WB	Min	0.80	0.24	3.33
	Rated	2.50	0.77	3.25
	Max	3.00	1.00	3.00
Heating JIS In: 20 °C DB/15°C WB Out: 7°C DB/6°C WB	Min	1.00	0.20	5.00
	Rated	3.20	0.86	3.72
	Max	3.90	1.11	3.51

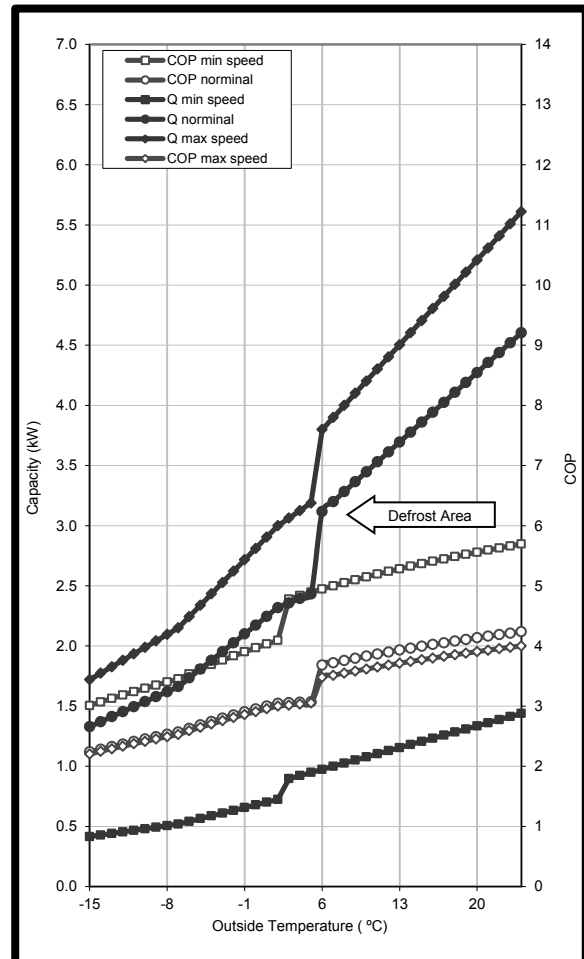
Cooling performance characteristic :

Outside Temp (°C)	Min capacity			Nominal capacity			Max capacity		
	Capacity (kW)	Power (kW)	EER (-)	Capacity (kW)	Power (kW)	EER (-)	Capacity (kW)	Power (kW)	EER (-)
20	0.95	0.19	5.06	2.98	0.60	4.93	3.58	0.79	4.56
21	0.94	0.19	4.92	2.95	0.62	4.79	3.54	0.80	4.43
22	0.93	0.20	4.78	2.92	0.63	4.66	3.50	0.81	4.30
23	0.92	0.20	4.65	2.89	0.64	4.53	3.46	0.83	4.18
24	0.91	0.20	4.52	2.85	0.65	4.40	3.42	0.84	4.06
25	0.90	0.21	4.39	2.82	0.66	4.28	3.39	0.86	3.95
26	0.89	0.21	4.27	2.79	0.67	4.16	3.35	0.87	3.84
27	0.88	0.21	4.15	2.76	0.68	4.04	3.31	0.89	3.74
28	0.87	0.22	4.04	2.72	0.69	3.93	3.27	0.90	3.63
29	0.86	0.22	3.93	2.69	0.70	3.83	3.23	0.91	3.54
30	0.85	0.22	3.82	2.66	0.71	3.72	3.19	0.93	3.44
31	0.84	0.23	3.72	2.63	0.73	3.62	3.15	0.94	3.35
32	0.83	0.23	3.62	2.60	0.74	3.52	3.12	0.96	3.26
33	0.82	0.23	3.52	2.56	0.75	3.43	3.08	0.97	3.17
34	0.81	0.24	3.43	2.53	0.76	3.34	3.04	0.99	3.08
35	0.80	0.24	3.33	2.50	0.77	3.25	3.00	1.00	3.00
36	0.79	0.24	3.24	2.47	0.78	3.16	2.96	1.01	2.92
37	0.78	0.25	3.16	2.44	0.79	3.08	2.92	1.03	2.84
38	0.77	0.25	3.07	2.40	0.80	2.99	2.88	1.04	2.77
39	0.76	0.25	2.99	2.37	0.81	2.91	2.85	1.06	2.69
40	0.75	0.26	2.91	2.34	0.83	2.84	2.81	1.07	2.62
41	0.74	0.26	2.83	2.31	0.84	2.76	2.77	1.09	2.55
42	0.73	0.26	2.76	2.28	0.85	2.69	2.73	1.10	2.48
43	0.72	0.27	2.68	2.24	0.86	2.61	2.69	1.11	2.42
44	0.71	0.27	2.61	2.21	0.87	2.54	2.65	1.13	2.35
45	0.70	0.27	2.54	2.18	0.88	2.48	2.62	1.14	2.29
46	0.69	0.28	2.47	2.15	0.89	2.41	2.58	1.16	2.23



Heating performance characteristic :

Outside Temp (°C)	Min capacity			Nominal capacity			Max capacity		
	Capacity (kW)	Power (kW)	COP (-)	Capacity (kW)	Power (kW)	COP (-)	Capacity (kW)	Power (kW)	COP (-)
-15	0.42	0.14	3.01	1.33	0.59	2.24	1.72	0.78	2.21
-14	0.43	0.14	3.07	1.37	0.60	2.28	1.77	0.79	2.25
-13	0.44	0.14	3.13	1.41	0.61	2.33	1.83	0.80	2.29
-12	0.45	0.14	3.18	1.45	0.61	2.37	1.88	0.81	2.33
-11	0.47	0.14	3.24	1.50	0.62	2.41	1.94	0.82	2.37
-10	0.48	0.15	3.29	1.54	0.63	2.45	1.99	0.82	2.41
-9	0.49	0.15	3.35	1.58	0.63	2.49	2.04	0.83	2.45
-8	0.51	0.15	3.40	1.62	0.64	2.53	2.10	0.84	2.49
-7	0.52	0.15	3.45	1.66	0.65	2.57	2.15	0.85	2.53
-6	0.54	0.15	3.53	1.73	0.66	2.63	2.24	0.87	2.59
-5	0.56	0.16	3.61	1.81	0.67	2.69	2.34	0.88	2.65
-4	0.59	0.16	3.69	1.88	0.68	2.75	2.43	0.90	2.70
-3	0.61	0.16	3.76	1.95	0.70	2.80	2.53	0.92	2.76
-2	0.63	0.17	3.83	2.03	0.71	2.85	2.62	0.93	2.81
-1	0.66	0.17	3.90	2.10	0.72	2.90	2.72	0.95	2.86
0	0.68	0.17	3.97	2.17	0.74	2.95	2.81	0.97	2.91
1	0.70	0.17	4.03	2.25	0.75	3.00	2.91	0.98	2.95
2	0.72	0.18	4.09	2.32	0.76	3.05	3.00	1.00	3.00
3	0.90	0.19	4.78	2.36	0.77	3.06	3.06	1.01	3.02
4	0.92	0.19	4.84	2.39	0.78	3.06	3.13	1.03	3.04
5	0.95	0.19	4.89	2.43	0.79	3.07	3.19	1.04	3.05
6	0.97	0.20	4.95	3.12	0.85	3.68	3.80	1.09	3.48
7	1.00	0.20	5.00	3.20	0.86	3.72	3.90	1.11	3.51
8	1.03	0.20	5.05	3.28	0.87	3.76	4.00	1.13	3.55
9	1.05	0.21	5.10	3.37	0.89	3.80	4.10	1.14	3.58
10	1.08	0.21	5.15	3.45	0.90	3.83	4.20	1.16	3.62
11	1.10	0.21	5.19	3.53	0.91	3.87	4.30	1.18	3.65
12	1.13	0.22	5.24	3.61	0.93	3.90	4.40	1.20	3.68
13	1.15	0.22	5.28	3.70	0.94	3.93	4.50	1.21	3.71
14	1.18	0.22	5.33	3.78	0.95	3.96	4.60	1.23	3.74
15	1.21	0.22	5.37	3.86	0.97	3.99	4.71	1.25	3.77
16	1.23	0.23	5.41	3.94	0.98	4.02	4.81	1.26	3.80
17	1.26	0.23	5.45	4.03	0.99	4.05	4.91	1.28	3.83
18	1.28	0.23	5.49	4.11	1.01	4.08	5.01	1.30	3.85
19	1.31	0.24	5.52	4.19	1.02	4.11	5.11	1.32	3.88
20	1.34	0.24	5.56	4.27	1.03	4.14	5.21	1.33	3.91
21	1.36	0.24	5.59	4.36	1.05	4.16	5.31	1.35	3.93
22	1.39	0.25	5.63	4.44	1.06	4.19	5.41	1.37	3.96
23	1.41	0.25	5.66	4.52	1.07	4.21	5.51	1.38	3.98
24	1.44	0.25	5.69	4.60	1.09	4.24	5.61	1.40	4.00



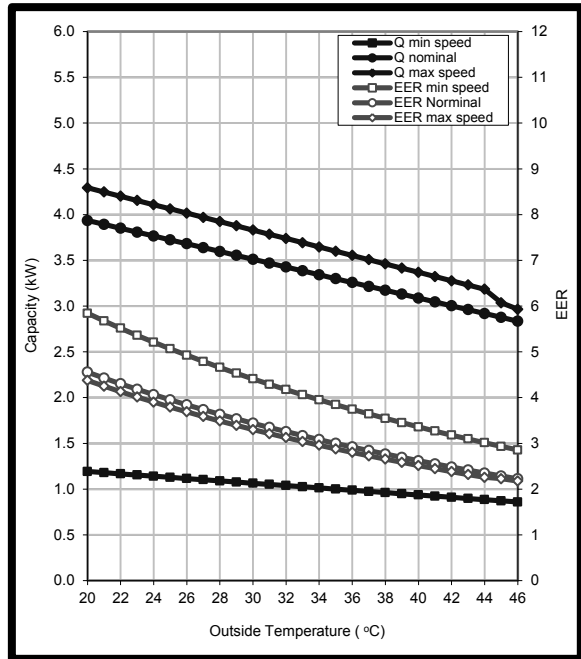
Model : RAS-B13J2KVG-E / RAS-13J2AVG-E
 RAS-B13J2KVG-UA / RAS-13J2AVG-UA
 RAS-13J2KVG-TR / RAS-13J2AVG-TR

Product specification :

Condition		Capacity (kW)	Power (kW)	EER/COP
Cooling JIS In: 27 °C DB/19°C WB Out: 35°C DB/24°C WB	Min	1.00	0.26	3.85
	Rated	3.30	1.10	3.00
	Max	3.60	1.25	2.88
Heating JIS In: 20 °C DB/15°C WB Out: 7 °C DB/6°C WB	Min	1.10	0.22	5.00
	Rated	3.60	0.92	3.91
	Max	4.50	1.24	3.63

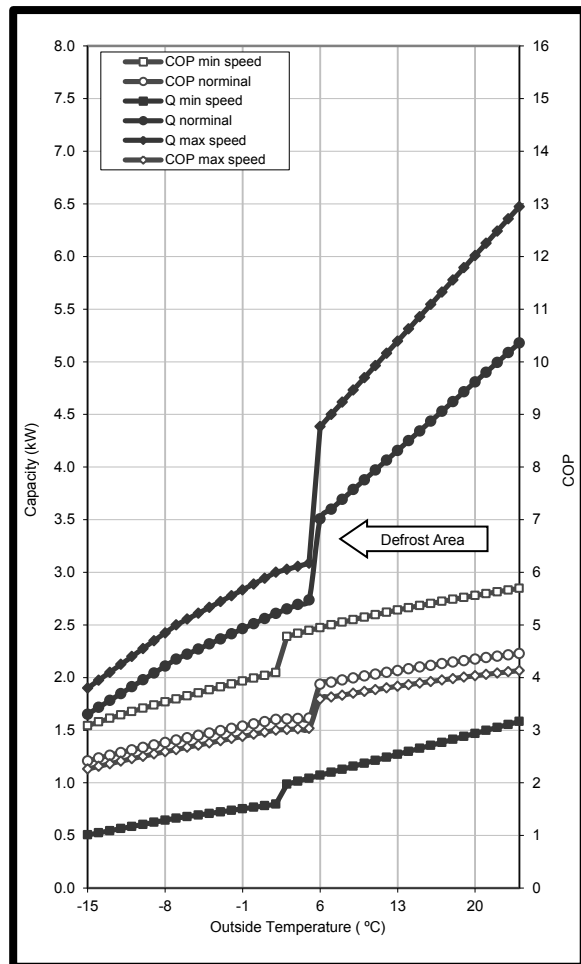
Cooling performance characteristic :

Outside Temp (°C)	Min capacity			Nominal capacity			Max capacity		
	Capacity (kW)	Power (kW)	EER (-)	Capacity (kW)	Power (kW)	EER (-)	Capacity (kW)	Power (kW)	EER (-)
20	1.19	0.20	5.84	3.94	0.86	4.56	4.29	0.98	4.38
21	1.18	0.21	5.68	3.89	0.88	4.43	4.25	1.00	4.25
22	1.17	0.21	5.52	3.85	0.90	4.30	4.20	1.02	4.13
23	1.15	0.22	5.36	3.81	0.91	4.18	4.15	1.04	4.01
24	1.14	0.22	5.21	3.77	0.93	4.06	4.11	1.05	3.90
25	1.13	0.22	5.07	3.72	0.94	3.95	4.06	1.07	3.79
26	1.12	0.23	4.93	3.68	0.96	3.84	4.02	1.09	3.69
27	1.10	0.23	4.79	3.64	0.97	3.74	3.97	1.11	3.59
28	1.09	0.23	4.66	3.60	0.99	3.63	3.92	1.12	3.49
29	1.08	0.24	4.53	3.55	1.01	3.54	3.88	1.14	3.39
30	1.06	0.24	4.41	3.51	1.02	3.44	3.83	1.16	3.30
31	1.05	0.25	4.29	3.47	1.04	3.35	3.78	1.18	3.21
32	1.04	0.25	4.17	3.43	1.05	3.26	3.74	1.20	3.13
33	1.03	0.25	4.06	3.38	1.07	3.17	3.69	1.21	3.04
34	1.01	0.26	3.95	3.34	1.08	3.08	3.65	1.23	2.96
35	1.00	0.26	3.85	3.30	1.10	3.00	3.60	1.25	2.88
36	0.99	0.26	3.74	3.26	1.12	2.92	3.55	1.27	2.80
37	0.97	0.27	3.64	3.22	1.13	2.84	3.51	1.29	2.73
38	0.96	0.27	3.55	3.17	1.15	2.77	3.46	1.30	2.65
39	0.95	0.27	3.45	3.13	1.16	2.69	3.42	1.32	2.58
40	0.94	0.28	3.36	3.09	1.18	2.62	3.37	1.34	2.51
41	0.92	0.28	3.27	3.05	1.19	2.55	3.32	1.36	2.45
42	0.91	0.29	3.18	3.00	1.21	2.48	3.28	1.38	2.38
43	0.90	0.29	3.10	2.96	1.23	2.42	3.23	1.39	2.32
44	0.88	0.29	3.01	2.92	1.24	2.35	3.18	1.41	2.26
45	0.87	0.30	2.93	2.88	1.26	2.29	3.14	1.43	2.20
46	0.86	0.30	2.85	2.83	1.27	2.23	3.09	1.45	2.14



Heating performance characteristic :

Outside Temp (°C)	Min capacity			Nominal capacity			Max capacity		
	Capacity (kW)	Power (kW)	COP (-)	Capacity (kW)	Power (kW)	COP (-)	Capacity (kW)	Power (kW)	COP (-)
-15	0.50	0.16	3.09	1.65	0.68	2.42	1.90	0.84	2.26
-14	0.52	0.17	3.16	1.72	0.70	2.47	1.98	0.85	2.31
-13	0.54	0.17	3.23	1.78	0.71	2.52	2.05	0.87	2.36
-12	0.56	0.17	3.29	1.85	0.72	2.58	2.13	0.88	2.41
-11	0.58	0.17	3.35	1.91	0.73	2.63	2.20	0.90	2.46
-10	0.60	0.18	3.42	1.98	0.74	2.67	2.28	0.91	2.50
-9	0.62	0.18	3.48	2.04	0.75	2.72	2.35	0.92	2.55
-8	0.64	0.18	3.53	2.11	0.76	2.77	2.43	0.94	2.59
-7	0.66	0.18	3.59	2.17	0.77	2.81	2.50	0.95	2.63
-6	0.68	0.19	3.65	2.22	0.78	2.86	2.56	0.96	2.67
-5	0.69	0.19	3.71	2.27	0.78	2.90	2.61	0.96	2.72
-4	0.71	0.19	3.76	2.32	0.79	2.95	2.67	0.97	2.76
-3	0.72	0.19	3.82	2.37	0.79	2.99	2.72	0.97	2.80
-2	0.74	0.19	3.88	2.42	0.80	3.03	2.78	0.98	2.84
-1	0.75	0.19	3.93	2.46	0.80	3.08	2.83	0.98	2.88
0	0.77	0.19	3.99	2.51	0.81	3.12	2.89	0.99	2.92
1	0.78	0.19	4.04	2.56	0.81	3.16	2.94	0.99	2.96
2	0.80	0.19	4.09	2.61	0.81	3.20	3.00	1.00	3.00
3	0.99	0.21	4.78	2.65	0.83	3.21	3.03	1.01	3.01
4	1.01	0.21	4.84	2.69	0.84	3.22	3.06	1.01	3.02
5	1.04	0.21	4.89	2.74	0.85	3.23	3.09	1.02	3.04
6	1.07	0.22	4.95	3.51	0.91	3.87	4.38	1.22	3.59
7	1.10	0.22	5.00	3.60	0.92	3.91	4.50	1.24	3.63
8	1.13	0.22	5.05	3.69	0.93	3.95	4.62	1.26	3.67
9	1.16	0.23	5.10	3.79	0.95	3.99	4.73	1.28	3.70
10	1.19	0.23	5.15	3.88	0.96	4.03	4.85	1.30	3.74
11	1.21	0.23	5.19	3.97	0.98	4.07	4.96	1.32	3.77
12	1.24	0.24	5.24	4.06	0.99	4.10	5.08	1.34	3.80
13	1.27	0.24	5.28	4.16	1.01	4.13	5.20	1.36	3.83
14	1.30	0.24	5.33	4.25	1.02	4.17	5.31	1.37	3.87
15	1.33	0.25	5.37	4.34	1.03	4.20	5.43	1.39	3.90
16	1.36	0.25	5.41	4.44	1.05	4.23	5.55	1.41	3.92
17	1.38	0.25	5.45	4.53	1.06	4.26	5.66	1.43	3.95
18	1.41	0.26	5.49	4.62	1.08	4.29	5.78	1.45	3.98
19	1.44	0.26	5.52	4.71	1.09	4.32	5.89	1.47	4.01
20	1.47	0.26	5.56	4.81	1.11	4.35	6.01	1.49	4.03
21	1.50	0.27	5.59	4.90	1.12	4.38	6.13	1.51	4.06
22	1.53	0.27	5.63	4.99	1.13	4.40	6.24	1.53	4.09
23	1.55	0.27	5.66	5.09	1.15	4.43	6.36	1.55	4.11
24	1.58	0.28	5.69	5.18	1.16	4.46	6.47	1.57	4.13



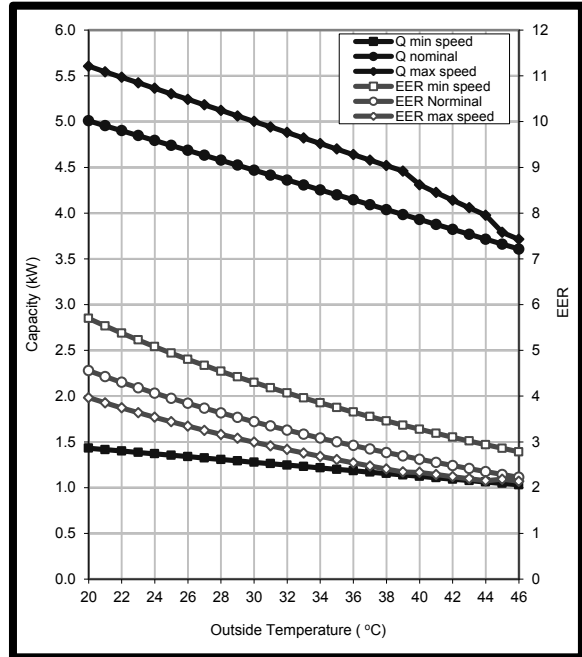
Model : RAS-B16J2KVG-E / RAS-16J2AVG-E
 RAS-B16J2KVG-UA / RAS-16J2AVG-UA
 RAS-16J2KVG-TR / RAS-16J2AVG-TR

Product specification :

Condition		Capacity (kW)	Power (kW)	EER/COP
Cooling JIS In: 27 °C DB/19°C WB Out: 35 °C DB/24°C WB	Min	1.20	0.32	3.75
	Rated	4.20	1.40	3.00
	Max	4.70	1.80	2.61
Heating JIS In: 20 °C DB/15°C WB Out: 7 °C DB/6°C WB	Min	1.30	0.24	5.42
	Rated	5.00	1.40	3.57
	Max	6.00	1.70	3.53

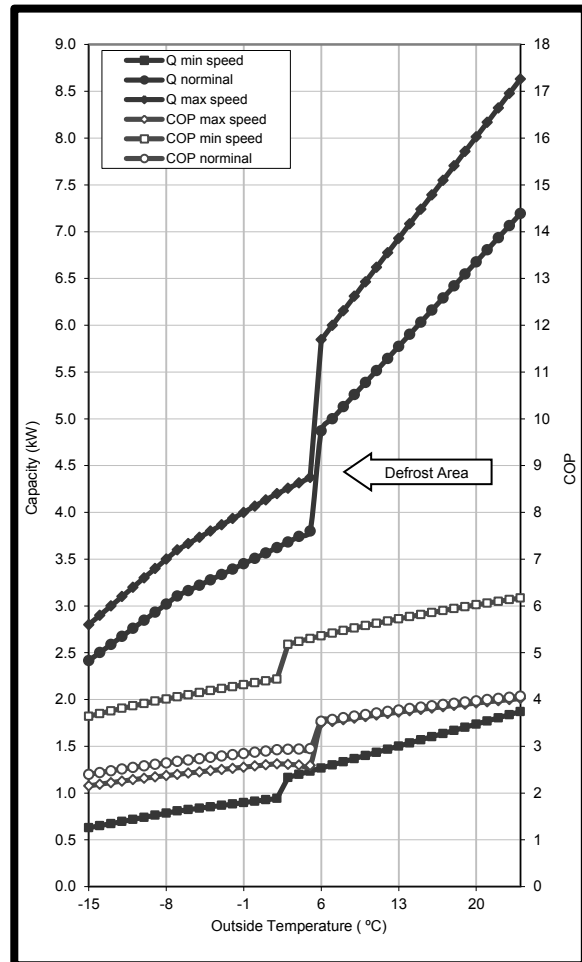
Cooling performance characteristic :

Outside Temp (°C)	Min capacity			Nominal capacity			Max capacity		
	Capacity (kW)	Power (kW)	EER (-)	Capacity (kW)	Power (kW)	EER (-)	Capacity (kW)	Power (kW)	EER (-)
20	1.43	0.25	5.70	5.01	1.10	4.56	5.60	1.41	3.97
21	1.42	0.26	5.53	4.95	1.12	4.43	5.54	1.44	3.85
22	1.40	0.26	5.38	4.90	1.14	4.30	5.48	1.46	3.74
23	1.38	0.26	5.23	4.85	1.16	4.18	5.42	1.49	3.64
24	1.37	0.27	5.08	4.79	1.18	4.06	5.36	1.52	3.54
25	1.35	0.27	4.94	4.74	1.20	3.95	5.30	1.54	3.44
26	1.34	0.28	4.80	4.69	1.22	3.84	5.24	1.57	3.34
27	1.32	0.28	4.67	4.63	1.24	3.74	5.18	1.59	3.25
28	1.31	0.29	4.54	4.58	1.26	3.63	5.12	1.62	3.16
29	1.29	0.29	4.42	4.52	1.28	3.54	5.06	1.65	3.08
30	1.28	0.30	4.30	4.47	1.30	3.44	5.00	1.67	2.99
31	1.26	0.30	4.18	4.42	1.32	3.35	4.94	1.70	2.91
32	1.25	0.31	4.07	4.36	1.34	3.26	4.88	1.72	2.83
33	1.23	0.31	3.96	4.31	1.36	3.17	4.82	1.75	2.76
34	1.22	0.32	3.85	4.25	1.38	3.08	4.76	1.77	2.68
35	1.20	0.32	3.75	4.20	1.40	3.00	4.70	1.80	2.61
36	1.18	0.32	3.65	4.15	1.42	2.92	4.64	1.83	2.54
37	1.17	0.33	3.55	4.09	1.44	2.84	4.58	1.85	2.47
38	1.15	0.33	3.46	4.04	1.46	2.77	4.52	1.88	2.41
39	1.14	0.34	3.36	3.98	1.48	2.69	4.46	1.90	2.34
40	1.12	0.34	3.27	3.93	1.50	2.62	4.41	1.85	2.33
41	1.11	0.35	3.19	3.88	1.52	2.55	4.22	1.85	2.29
42	1.09	0.35	3.10	3.82	1.54	2.48	4.14	1.85	2.24
43	1.08	0.36	3.02	3.77	1.56	2.42	4.06	1.85	2.20
44	1.06	0.36	2.94	3.71	1.58	2.35	3.98	1.85	2.15
45	1.05	0.37	2.86	3.66	1.60	2.29	3.79	1.74	2.18
46	1.03	0.37	2.78	3.61	1.62	2.23	3.71	1.74	2.14



Heating performance characteristic :

Outside Temp (°C)	Min capacity			Nominal capacity			Max capacity		
	Capacity (kW)	Power (kW)	COP (-)	Capacity (kW)	Power (kW)	COP (-)	Capacity (kW)	Power (kW)	COP (-)
-15	0.63	0.17	3.64	2.42	1.01	2.40	2.80	1.30	2.15
-14	0.65	0.18	3.70	2.50	1.03	2.44	2.90	1.33	2.19
-13	0.67	0.18	3.75	2.59	1.05	2.48	3.00	1.35	2.22
-12	0.70	0.18	3.81	2.67	1.06	2.51	3.10	1.38	2.25
-11	0.72	0.19	3.86	2.76	1.08	2.55	3.20	1.40	2.29
-10	0.74	0.19	3.91	2.85	1.10	2.58	3.30	1.43	2.32
-9	0.76	0.19	3.96	2.93	1.12	2.61	3.40	1.45	2.34
-8	0.79	0.20	4.01	3.02	1.14	2.64	3.50	1.48	2.37
-7	0.81	0.20	4.06	3.11	1.16	2.67	3.60	1.50	2.40
-6	0.82	0.20	4.10	3.16	1.17	2.70	3.67	1.51	2.43
-5	0.84	0.20	4.14	3.22	1.18	2.73	3.73	1.52	2.45
-4	0.85	0.20	4.19	3.28	1.19	2.76	3.80	1.53	2.48
-3	0.87	0.21	4.23	3.34	1.20	2.79	3.87	1.54	2.50
-2	0.88	0.21	4.27	3.39	1.20	2.82	3.93	1.56	2.53
-1	0.90	0.21	4.31	3.45	1.21	2.84	4.00	1.57	2.55
0	0.91	0.21	4.36	3.51	1.22	2.87	4.07	1.58	2.58
1	0.93	0.21	4.40	3.57	1.23	2.90	4.13	1.59	2.60
2	0.94	0.21	4.44	3.62	1.24	2.92	4.20	1.60	2.63
3	1.17	0.23	5.18	3.68	1.26	2.93	4.26	1.63	2.61
4	1.20	0.23	5.24	3.74	1.27	2.94	4.31	1.66	2.60
5	1.23	0.23	5.30	3.80	1.29	2.95	4.37	1.69	2.59
6	1.27	0.24	5.36	4.87	1.38	3.53	5.85	1.67	3.49
7	1.30	0.24	5.42	5.00	1.40	3.57	6.00	1.70	3.53
8	1.33	0.24	5.47	5.13	1.42	3.61	6.15	1.73	3.57
9	1.37	0.25	5.53	5.26	1.44	3.64	6.31	1.75	3.60
10	1.40	0.25	5.58	5.39	1.47	3.68	6.46	1.78	3.63
11	1.43	0.25	5.63	5.52	1.49	3.71	6.62	1.81	3.67
12	1.47	0.26	5.68	5.65	1.51	3.74	6.77	1.83	3.70
13	1.50	0.26	5.72	5.77	1.53	3.77	6.93	1.86	3.73
14	1.53	0.27	5.77	5.90	1.55	3.80	7.08	1.88	3.76
15	1.57	0.27	5.81	6.03	1.57	3.83	7.24	1.91	3.79
16	1.60	0.27	5.86	6.16	1.60	3.86	7.39	1.94	3.82
17	1.64	0.28	5.90	6.29	1.62	3.89	7.55	1.96	3.84
18	1.67	0.28	5.94	6.42	1.64	3.92	7.70	1.99	3.87
19	1.70	0.28	5.98	6.55	1.66	3.94	7.86	2.02	3.90
20	1.74	0.29	6.02	6.68	1.68	3.97	8.01	2.04	3.92
21	1.77	0.29	6.06	6.81	1.70	4.00	8.17	2.07	3.95
22	1.80	0.30	6.10	6.94	1.73	4.02	8.32	2.09	3.97
23	1.84	0.30	6.13	7.06	1.75	4.04	8.48	2.12	4.00
24	1.87	0.30	6.17	7.19	1.77	4.07	8.63	2.15	4.02



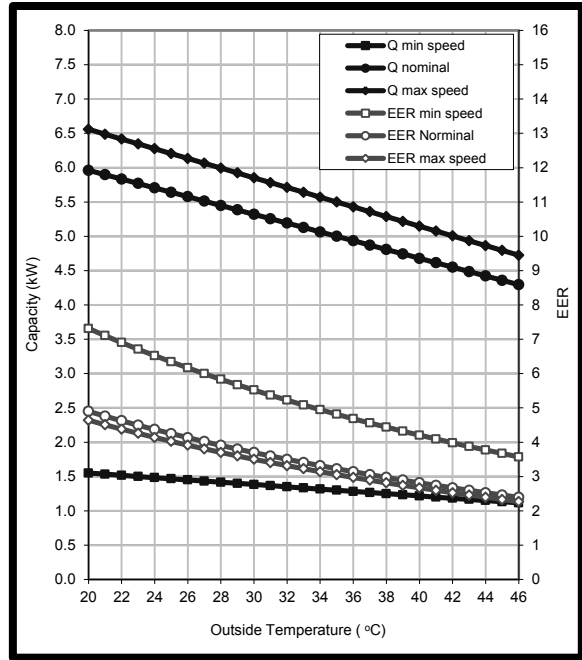
Model : RAS-18J2KVG-E / RAS-18J2AVG-E
 RAS-18J2KVG-UA / RAS-18J2AVG-UA
 RAS-18J2KVG-TR / RAS-18J2AVG-TR

Product specification :

Condition		Capacity (kW)	Power (kW)	EER/COP
Cooling JIS In: 27 °C DB/19°C WB Out: 35°C DB/24°C WB	Min	1.30	0.27	4.81
	Rated	5.00	1.55	3.23
	Max	5.50	1.80	3.06
Heating JIS In: 20 °C DB/15°C WB Out: 7 °C DB/6°C WB	Min	1.00	0.20	5.00
	Rated	5.40	1.60	3.38
	Max	6.00	1.85	3.24

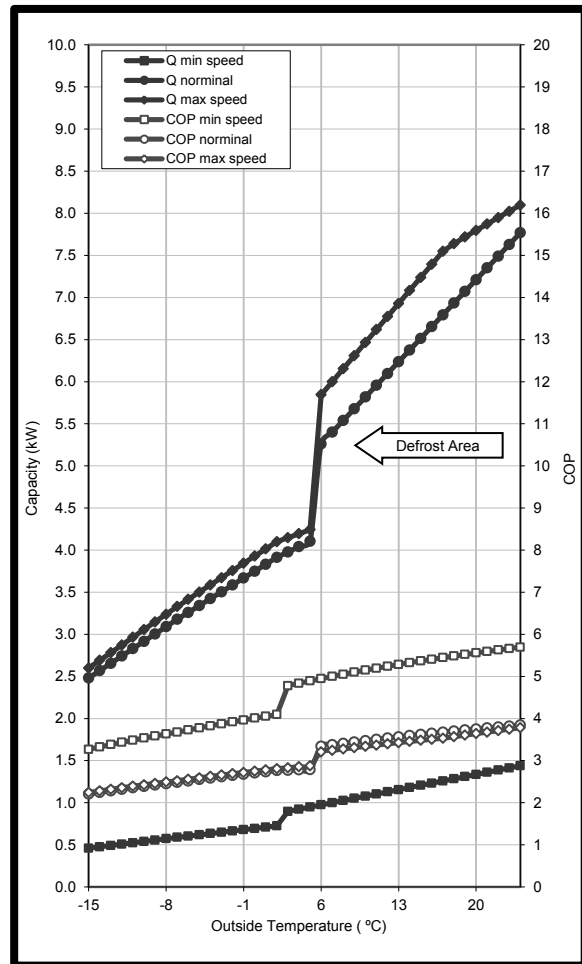
Cooling performance characteristic :

Outside Temp (°C)	Min capacity			Nominal capacity			Max capacity		
	Capacity (kW)	Power (kW)	EER (-)	Capacity (kW)	Power (kW)	EER (-)	Capacity (kW)	Power (kW)	EER (-)
20	1.55	0.21	7.31	5.96	1.22	4.90	6.56	1.41	4.64
21	1.53	0.22	7.11	5.90	1.24	4.76	6.49	1.44	4.51
22	1.52	0.22	6.90	5.83	1.26	4.63	6.42	1.46	4.38
23	1.50	0.22	6.71	5.77	1.28	4.50	6.35	1.49	4.26
24	1.48	0.23	6.52	5.71	1.31	4.37	6.28	1.52	4.14
25	1.47	0.23	6.34	5.64	1.33	4.25	6.21	1.54	4.02
26	1.45	0.24	6.17	5.58	1.35	4.13	6.14	1.57	3.91
27	1.43	0.24	6.00	5.51	1.37	4.02	6.06	1.59	3.81
28	1.42	0.24	5.83	5.45	1.39	3.91	5.99	1.62	3.70
29	1.40	0.25	5.67	5.39	1.42	3.80	5.92	1.65	3.60
30	1.38	0.25	5.52	5.32	1.44	3.70	5.85	1.67	3.50
31	1.37	0.25	5.37	5.26	1.46	3.60	5.78	1.70	3.41
32	1.35	0.26	5.22	5.19	1.48	3.50	5.71	1.72	3.32
33	1.33	0.26	5.08	5.13	1.51	3.41	5.64	1.75	3.23
34	1.32	0.27	4.95	5.06	1.53	3.31	5.57	1.77	3.14
35	1.30	0.27	4.81	5.00	1.55	3.23	5.50	1.80	3.06
36	1.28	0.27	4.69	4.94	1.57	3.14	5.43	1.83	2.97
37	1.27	0.28	4.56	4.87	1.59	3.06	5.36	1.85	2.89
38	1.25	0.28	4.44	4.81	1.62	2.97	5.29	1.88	2.82
39	1.23	0.29	4.32	4.74	1.64	2.89	5.22	1.90	2.74
40	1.22	0.29	4.20	4.68	1.66	2.82	5.15	1.93	2.67
41	1.20	0.29	4.09	4.62	1.68	2.74	5.08	1.95	2.60
42	1.18	0.30	3.98	4.55	1.71	2.67	5.01	1.98	2.53
43	1.17	0.30	3.88	4.49	1.73	2.60	4.94	2.01	2.46
44	1.15	0.30	3.77	4.42	1.75	2.53	4.86	2.03	2.39
45	1.13	0.31	3.67	4.36	1.77	2.46	4.79	2.06	2.33
46	1.12	0.31	3.57	4.29	1.79	2.39	4.72	2.08	2.27



Heating performance characteristic :

Outside Temp (°C)	Min capacity			Nominal capacity			Max capacity		
	Capacity (kW)	Power (kW)	COP (-)	Capacity (kW)	Power (kW)	COP (-)	Capacity (kW)	Power (kW)	COP (-)
-15	0.46	0.14	3.27	2.48	1.12	2.21	2.60	1.16	2.24
-14	0.48	0.14	3.33	2.57	1.14	2.24	2.69	1.18	2.28
-13	0.49	0.15	3.38	2.66	1.16	2.28	2.78	1.20	2.32
-12	0.51	0.15	3.43	2.74	1.18	2.32	2.87	1.22	2.36
-11	0.52	0.15	3.49	2.83	1.20	2.35	2.97	1.24	2.39
-10	0.54	0.15	3.54	2.92	1.22	2.39	3.06	1.26	2.43
-9	0.56	0.16	3.59	3.00	1.24	2.42	3.15	1.28	2.46
-8	0.57	0.16	3.63	3.09	1.26	2.45	3.24	1.30	2.49
-7	0.59	0.16	3.68	3.18	1.28	2.48	3.33	1.32	2.52
-6	0.60	0.16	3.73	3.26	1.30	2.52	3.42	1.34	2.56
-5	0.62	0.16	3.78	3.34	1.31	2.55	3.50	1.35	2.59
-4	0.63	0.17	3.83	3.42	1.33	2.58	3.59	1.37	2.62
-3	0.65	0.17	3.87	3.50	1.34	2.61	3.67	1.38	2.66
-2	0.66	0.17	3.92	3.59	1.36	2.65	3.76	1.40	2.69
-1	0.68	0.17	3.96	3.67	1.37	2.68	3.84	1.41	2.72
0	0.69	0.17	4.01	3.75	1.39	2.71	3.93	1.43	2.75
1	0.71	0.18	4.05	3.83	1.40	2.74	4.01	1.44	2.78
2	0.72	0.18	4.09	3.91	1.42	2.76	4.10	1.46	2.81
3	0.90	0.19	4.78	3.98	1.43	2.77	4.15	1.47	2.83
4	0.92	0.19	4.84	4.04	1.45	2.78	4.20	1.47	2.85
5	0.95	0.19	4.89	4.11	1.47	2.79	4.24	1.48	2.88
6	0.97	0.20	4.95	4.18	1.48	2.80	4.28	1.49	2.91
7	1.00	0.20	5.00	4.24	1.50	2.81	4.32	1.50	2.94
8	1.03	0.20	5.05	4.31	1.51	2.82	4.36	1.51	2.97
9	1.05	0.21	5.10	4.38	1.52	2.83	4.40	1.52	3.00
10	1.08	0.21	5.15	4.45	1.53	2.84	4.44	1.53	3.03
11	1.10	0.21	5.19	4.52	1.54	2.85	4.48	1.54	3.06
12	1.13	0.22	5.24	4.59	1.55	2.86	4.52	1.55	3.09
13	1.15	0.22	5.28	4.66	1.56	2.87	4.56	1.56	3.12
14	1.18	0.22	5.33	4.73	1.57	2.88	4.60	1.57	3.15
15	1.21	0.22	5.37	4.80	1.58	2.89	4.64	1.58	3.18
16	1.23	0.23	5.41	4.87	1.59	2.90	4.68	1.59	3.21
17	1.26	0.23	5.45	4.94	1.60	2.91	4.72	1.60	3.24
18	1.28	0.23	5.49	5.01	1.61	2.92	4.76	1.61	3.27
19	1.31	0.24	5.52	5.08	1.62	2.93	4.80	1.62	3.30
20	1.34	0.24	5.56	5.15	1.63	2.94	4.84	1.63	3.33
21	1.36	0.24	5.59	5.22	1.64	2.95	4.88	1.64	3.36
22	1.39	0.25	5.63	5.29	1.65	2.96	4.92	1.65	3.39
23	1.41	0.25	5.66	5.36	1.66	2.97	4.96	1.66	3.42
24	1.44	0.25	5.69	5.43	1.67	2.98	5.00	1.67	3.45



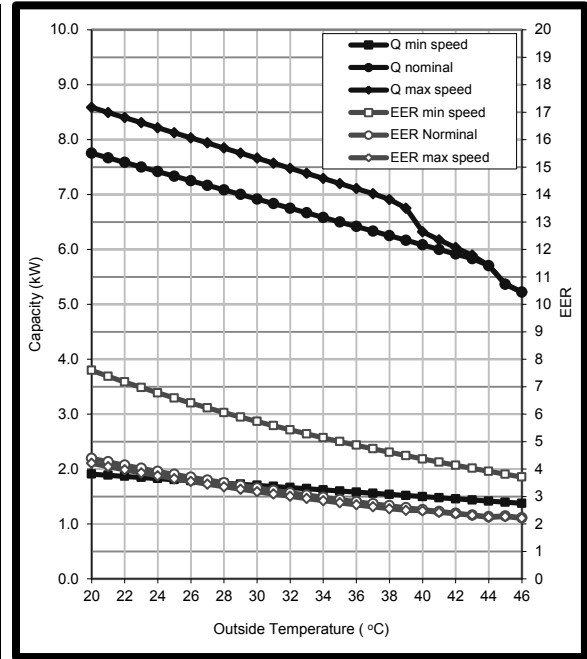
Model : RAS-24J2KVG-E / RAS-24J2AVG-E
 RAS-24J2KVG-UA / RAS-24J2AVG-UA
 RAS-24J2KVG-TR / RAS-24J2AVG-TR

Product specification :

Condition		Capacity (kW)	Power (kW)	EER/COP
Cooling JIS In: 27°C DB/19°C WB Out: 35°C DB/24°C WB	Min	1.60	0.32	5.00
	Rated	6.50	2.25	2.89
	Max	7.20	2.60	2.77
Heating JIS In: 20°C DB/15°C WB Out: 7°C DB/6°C WB	Min	1.60	0.29	5.52
	Rated	7.00	2.10	3.33
	Max	8.10	2.55	3.18

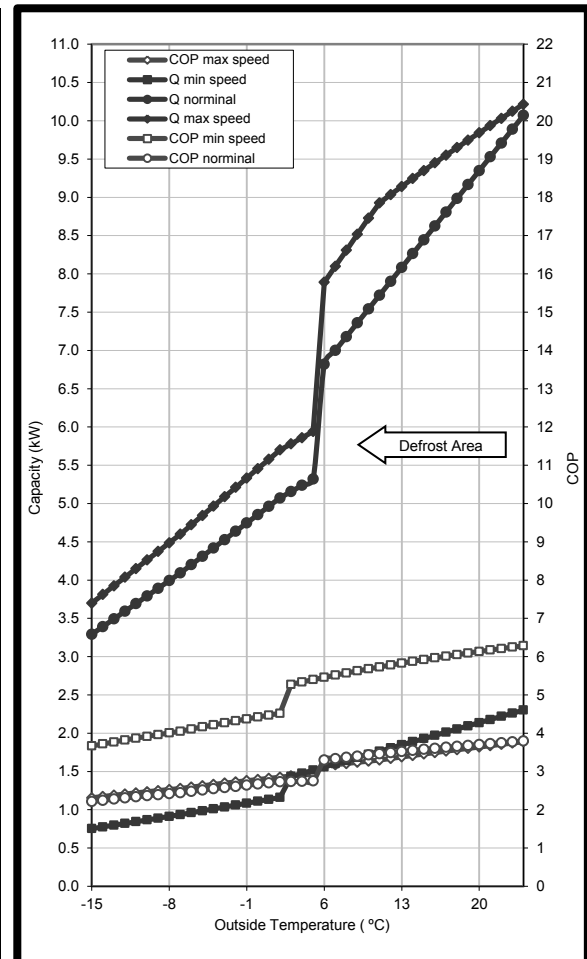
Cooling performance characteristic :

Outside Temp (°C)	Min capacity			Nominal capacity			Max capacity		
	Capacity (kW)	Power (kW)	EER (-)	Capacity (kW)	Power (kW)	EER (-)	Capacity (kW)	Power (kW)	EER (-)
20	1.91	0.25	7.60	7.75	1.77	4.39	8.59	2.04	4.21
21	1.89	0.26	7.38	7.67	1.80	4.26	8.49	2.08	4.09
22	1.87	0.26	7.17	7.58	1.83	4.14	8.40	2.12	3.97
23	1.85	0.26	6.97	7.50	1.86	4.03	8.31	2.15	3.86
24	1.83	0.27	6.77	7.42	1.90	3.91	8.22	2.19	3.75
25	1.81	0.27	6.59	7.33	1.93	3.81	8.12	2.23	3.65
26	1.78	0.28	6.40	7.25	1.96	3.70	8.03	2.26	3.55
27	1.76	0.28	6.23	7.17	1.99	3.60	7.94	2.30	3.45
28	1.74	0.29	6.06	7.08	2.02	3.50	7.85	2.34	3.35
29	1.72	0.29	5.89	7.00	2.06	3.40	7.75	2.38	3.26
30	1.70	0.30	5.73	6.92	2.09	3.31	7.66	2.41	3.17
31	1.68	0.30	5.58	6.83	2.12	3.22	7.57	2.45	3.09
32	1.66	0.31	5.43	6.75	2.15	3.13	7.48	2.49	3.01
33	1.64	0.31	5.28	6.67	2.19	3.05	7.38	2.53	2.92
34	1.62	0.32	5.14	6.58	2.22	2.97	7.29	2.56	2.85
35	1.60	0.32	5.00	6.50	2.25	2.89	7.20	2.60	2.77
36	1.58	0.32	4.87	6.42	2.28	2.81	7.11	2.64	2.70
37	1.56	0.33	4.74	6.33	2.31	2.74	7.02	2.67	2.62
38	1.54	0.33	4.61	6.25	2.35	2.66	6.91	2.70	2.55
39	1.52	0.34	4.49	6.17	2.38	2.59	6.75	2.70	2.50
40	1.50	0.34	4.37	6.08	2.41	2.52	6.62	2.55	2.48
41	1.48	0.35	4.25	6.00	2.44	2.46	6.48	2.55	2.42
42	1.46	0.35	4.14	5.92	2.48	2.39	6.33	2.55	2.37
43	1.44	0.36	4.03	5.83	2.51	2.33	6.18	2.55	2.31
44	1.42	0.36	3.92	5.71	2.52	2.26	6.03	2.55	2.24
45	1.39	0.37	3.81	5.57	2.54	2.29	5.87	2.55	2.27
46	1.37	0.37	3.71	5.42	2.54	2.23	5.72	2.55	2.21



Heating performance characteristic :

Outside Temp (°C)	Min capacity			Nominal capacity			Max capacity		
	Capacity (kW)	Power (kW)	COP (-)	Capacity (kW)	Power (kW)	COP (-)	Capacity (kW)	Power (kW)	COP (-)
-15	0.75	0.21	3.67	3.29	1.49	2.21	3.70	1.60	2.31
-14	0.78	0.21	3.72	3.39	1.51	2.25	3.81	1.63	2.35
-13	0.80	0.21	3.77	3.49	1.53	2.28	3.93	1.65	2.38
-12	0.82	0.21	3.82	3.59	1.56	2.31	4.04	1.68	2.41
-11	0.84	0.22	3.87	3.69	1.58	2.34	4.15	1.70	2.44
-10	0.87	0.22	3.92	3.79	1.60	2.37	4.26	1.73	2.47
-9	0.89	0.22	3.96	3.89	1.63	2.39	4.38	1.75	2.50
-8	0.91	0.23	4.01	3.99	1.65	2.42	4.49	1.78	2.53
-7	0.94	0.23	4.05	4.09	1.67	2.45	4.60	1.80	2.56
-6	0.96	0.23	4.11	4.20	1.69	2.48	4.72	1.82	2.59
-5	0.99	0.24	4.16	4.31	1.71	2.52	4.84	1.84	2.63
-4	1.01	0.24	4.22	4.42	1.73	2.55	4.97	1.87	2.66
-3	1.04	0.24	4.27	4.53	1.76	2.58	5.09	1.89	2.69
-2	1.06	0.25	4.32	4.64	1.78	2.61	5.21	1.91	2.73
-1	1.08	0.25	4.37	4.75	1.80	2.64	5.33	1.93	2.76
0	1.11	0.25	4.42	4.85	1.82	2.67	5.46	1.96	2.79
1	1.13	0.25	4.47	4.96	1.84	2.70	5.58	1.98	2.82
2	1.16	0.26	4.52	5.07	1.86	2.73	5.70	2.00	2.85
3	1.43	0.27	5.27	5.16	1.88	2.74	5.78	2.01	2.88
4	1.48	0.28	5.34	5.24	1.91	2.75	5.86	2.01	2.91
5	1.52	0.28	5.40	5.32	1.93	2.75	5.94	2.02	2.94
6	1.56	0.29	5.46	5.40	1.94	2.76	6.02	2.03	2.97
7	1.60	0.29	5.52	5.48	1.95	2.77	6.10	2.04	3.00
8	1.64	0.29	5.57	5.56	1.96	2.78	6.18	2.05	3.03
9	1.68	0.30	5.63	5.64	1.97	2.79	6.26	2.06	3.06
10	1.72	0.30	5.68	5.72	1.98	2.80	6.34	2.07	3.09
11	1.77	0.31	5.73	5.80	1.99	2.81	6.42	2.08	3.12
12	1.81	0.31	5.78	5.88	2.00	2.82	6.50	2.09	3.15
13	1.85	0.32	5.83	5.96	2.01	2.83	6.58	2.10	3.18
14	1.89	0.32	5.88	6.04	2.02	2.84	6.66	2.11	3.21
15	1.93	0.33	5.92	6.12	2.03	2.85	6.74	2.12	3.24
16	1.97	0.33	5.97	6.20	2.04	2.86	6.82	2.13	3.27
17	2.01	0.33	6.01	6.28	2.05	2.87	6.90	2.14	3.30
18	2.05	0.34	6.05	6.36	2.06	2.88	6.98	2.15	3.33
19	2.10	0.34	6.09	6.44	2.07	2.89	7.06	2.16	3.36
20	2.14	0.35	6.13	6.52	2.08	2.90	7.14	2.17	3.39
21	2.18	0.35	6.17	6.60	2.09	2.91	7.22	2.18	3.42
22	2.22	0.36	6.21	6.68	2.10	2.92	7.30	2.19	3.45
23	2.26	0.36	6.25	6.76	2.11	2.93	7.38	2.20	3.48
24	2.30	0.37	6.28	6.84	2.12	2.94	7.46	2.21	3.51



TOSHIBA CARRIER (THAILAND) CO.,LTD.

144/9 Moo 5, Bangkadi Industrial Park, Tivanon Road, Tambol Bangkadi,
Amphur Muang, Pathumthani 12000, Thailand

Copyright © 2015 TOSHIBA CARRIER (THAILAND), All Rights Reserved

Notice : Toshiba is committed to continuously improving its products to ensure the highest quality and reliability standard, and to meet local regulations and market requirements. All features and specifications are subject to change without prior notice.
